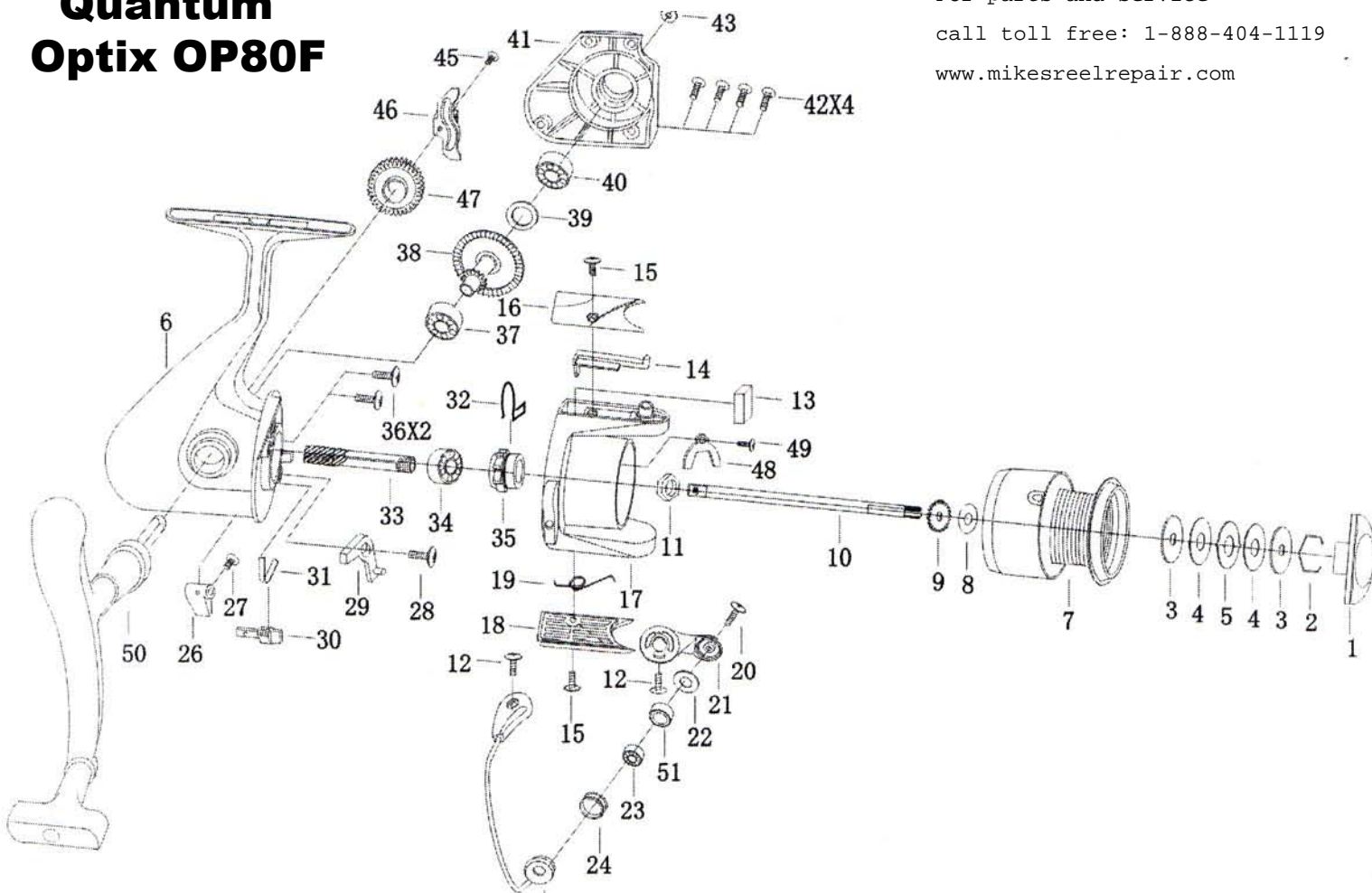


Quantum Optix OP80F

For parts and service
call toll free: 1-888-404-1119
www.mikesreelrepair.com



Please call (800) 588-9030 for part availability

KEY #	DESCRIPTION	KEY #	DESCRIPTION
1	DRAG KNOB	26	ANTI-REVERSE BUTTON
2	DRAG WASHER RETAINER	27	SCREW
3	KEY WASHER	28	SCREW
4	DRAG WASHER	29	ANTI-REVERSE PAWL
5	EARED WASHER	30	ANTI-REVERSE BAR
6	BODY	31	ANTI-REVERSE BAR SPRING
7	SPOOL ASSY.	32	SILENT SPRING
		33	PINION GEAR
8	SPOOL WASHER	34	BALL BEARING
9	CLIP GEAR	35	ANTI-REVERSE RATCHET
10	MAIN SHAFT	36	SCREW
11	ROTOR NUT	37	BALL BEARING
12	SCREW	38	DRIVER GEAR
13	BALANCE WEIGHT	39	WASHER
14	KICK LEVEL	40	BALL BEARING
15	SCREW	41	SIDE PLATE ASSY.
16	BAIL HOLDER COVER	42	SIDE PLATE SCREW
17	ROTOR	43	WASHER
18	BAIL ARM COVER	44	HANDLE SCREW CAP
19	BAIL ARM SPRING	45	OSCILLATION SCREW
20	LINE ROLLER SCREW	46	OSCILLATION SLIDER
21	BAIL ARM	47	OSCILLATION GEAR
22	LINE ROLLER WASHER	48	LOCKING SLICE
23	BALL BEARING	49	SCREW
24	LINE ROLLER	50	HANDLE ASSY.
25	BAIL ASSY.	51	LINE ROLLER BUSHING