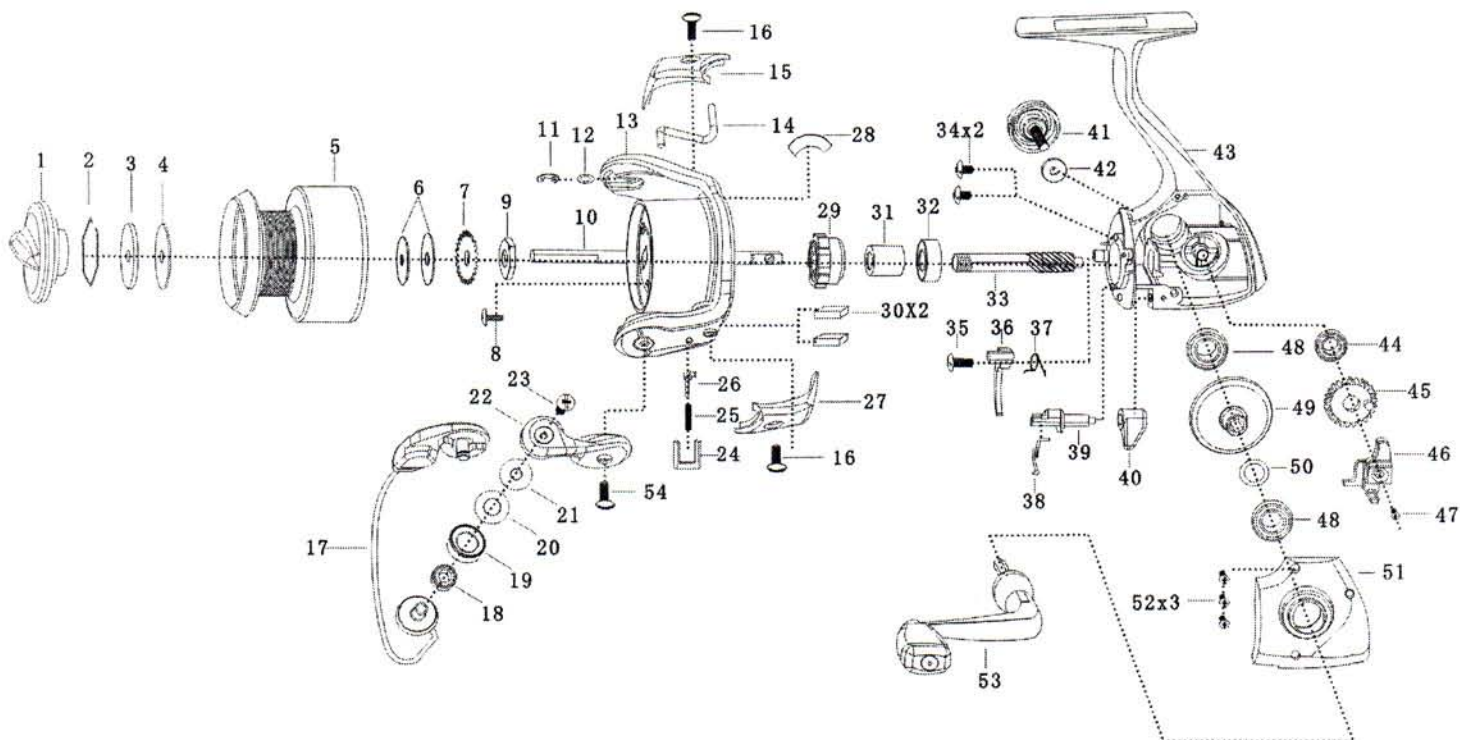


Quantum Optix OP20F

3.8:1:1



Please call (800) 588-9030 for part availability

KEY #	DESCRIPTION
1	DRAG KNOB ASSEMBLY
2	DRAG RETAINER
3	KEY WASHER
4	DRAG WASHER
5	SPOOL ASSEMBLY
6	SPOOL WASHER
7	CLICK GEAR
8	SCREW
9	ROTOR NUT
10	MAIN SHAFT
11	E-CLIP
12	WASHER
13	ROTOR ASSEMBLY
14	KICK LEVER
15	BAIL SEAT
16	SCREW
17	BAIL ASSEMBLY
18	LINE ROLLER BUSHING
19	LINE ROLLER
20	LINE ROLLER WASHER
21	LINE ROLLER COLLAR
22	ARM LEVER
23	LINE SLIDER SCREW
24	BAIL SPRING HOLDER
25	SPRING
26	BAIL KICK LEVER
27	ARM LEVER COVER

KEY #	DESCRIPTION
28	BALANCE WEIGHT
29	CLUTCH ASSEMBLY
30	BALANCE WEIGHT
31	CLUTCH SLEEVE
32	PINION BALL BEARING
33	PINION GEAR
34	SCREW
35	ANTI-REVERSE PAWL SCREW
36	ANTI-REVERSE PAWL
37	ANTI-REVERSE PAWL SPRING
38	ANTI-REVERSE CAM SPRING
39	ANTI-REVERSE CAM
40	ANTI-REVERSE LEVER
41	HANDLE SCREW CAP
42	HANDLE SCREW WASHER
43	BODY
44	O/S GEAR BUSHING
45	O/S GEAR
46	O/S SLIDER
47	MAIN SHAFT SCREW
48	GEAR SHAFT BALL BEARING
49	DRIVE GEAR
50	ADJUST WASHER
51	BODY COVER
52	BODY COVER SCREW
53	HANDLE ASSEMBLY
54	SCREW