

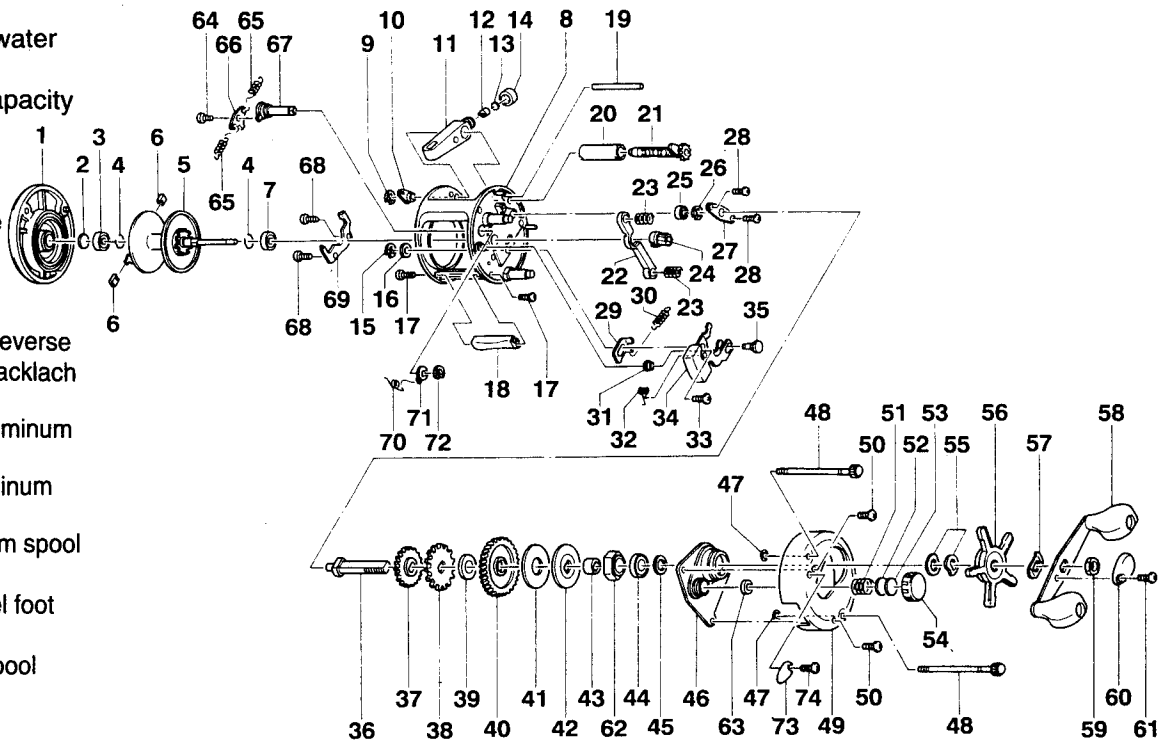
QUANTUM® IR3W

SPECIFICATIONS:

Right Hand Retrieve
 Medium Heavy Freshwater
 Light Saltwater
 180 yds/14 lb. Line Capacity
 5.2:1 Ratio
 10.0 oz. Weight
 Thumb Button Clutch
 Posi-Lok Anti-Reverse
 3 Ball Bearings

FEATURES:

15-point Posi-Lock anti-reverse
 Centrifugal Brake Anti-Backlash
 System
 Machined, one-piece aluminum
 frame
 Rugged, one-piece aluminum
 side plates
 Machine-forged aluminum spool
 Brass Magnum Gears
 Low-profile recessed reel foot
 Multi-disc drag system
 On/Off bait click (wide spool
 models only)
 Color: Gold



Key No.	Part No.	Description	Price	Key No.	Part No.	Description	Price
1	XX323-02	Left Side Cover Assy	13.54	39	JX111-01	Washer - Ratchet	.46
2	XX038-02	Spool Shaft Washer	.26	40	JX012-01	Drive Gear	7.67
3	JX106-01	Bearing - Spool Shaft	6.33	41	JX059-01	Drag Disc	1.44
4	JX080-01	Clip Ring	.26	42	JX045-01	Drag "D" Washer	.88
5	XX321-02	Spool Assy	13.75	43	JX052-01	Spacer - Crank Shaft	.67
6	XX044-01	Brake Shoe B	.26	44	TW058-01	Bearing - Crank Shaft (U)	7.21
7	JX106-01	Bearing - Spool Shaft	6.33	45	JX038-01	Crank Shaft Washer	.31
8	XX301-03	Frame Assy	30.39	46	JX066-02	Crank Shaft Guide	3.35
9	QW120-01	E-Clip - Worm Shaft	.26	47	JX073-01	O-Ring - Thumb Screw	.31
10	JX067-01	Bushing - Worm Shaft	.31	48	JX074-04	Thumb Screw	1.24
11	JX347-02	Line Guide Carrier Assy	2.32	49	XX024-03	Right Side Cover	9.73
12	JX006-01	Line Guide Pawl	1.80	50	QW123-01	Right Side Cover Screw	.15
13	JX035-01	Washer - Line Guide Pawl	.26	51	JX105-01	Spring - Tension Knob	.31
14	JX007-02	Screw - Line Guide Carrier	.52	52	QW032-02	Washer - Spool Tension	.26
15	NX092-01	E-Clip - Kick Lever Guide Post	.30	53	JX082-01	Washer - Cushion	.21
16	XX035-01	Washer - Kick Lever Guide	.26	54	XX033-01	Spool Tension Knob	2.82
17	JX050-01	Screw - Thumb Rest	.31	55	JX046-01	Spring "D" Washer	.67
18	XX009-02	Thumb Rest	.62	56	JX055-02	Star Drag	3.45
19	XX061-01	Line Guide Carrier Guide	.98	57	NX054-01	Handle Washer	.26
20	XX016-01	Worm Shaft Guide	.72	58	XX318-01	Handle Assy	7.00
21	XX372-01	Worm Shaft Assy	6.90	59	QW003-01	Handle Nut	.36
22	JX025-01	Pinion Yoke	.52	60	JX034-02	Handle Nut Cap	.36
23	JX040-01	Yoke Spring	.21	61	QW123-01	Handle Nut Cap Screw	.15
24	JX011-01	Pinion Gear	5.36	62	JX363-01B	Anti-Reverse Pawl Assy	2.52
25	JX017-01	Bushing - Crank Shaft (L)	.77	63	JX098-01	Post - Anti-Reverse Pawl	.41
26	QW120-01	E-Clip - Crank Shaft	.26	64	XX125-01	Scrw - Clicker Pawl	.98
27	JX002-01	Retainer - Crank Shaft	.57	65	JX110-01	Clicker Spring	.21
28	JX107-01	Screw - Crank Shaft Retainer	.15	66	JX114-01	Clicker Pawl	.70
29	JX077-01	Kick Lever	.57	67	JX084-01	Clicker Cam	2.88
30	JX097-01	Spring - Kick Lever	.15	68	JX125-01	Screw - Clicker Spring Holder	.21
31	JX068-01	Bushing - Release Slider Guide	1.08	69	JX103-01	Clicker Spring Holder	1.20
32	JX104-01	Spring - Release Slider	.21	70	JX022-01	Springer - Clicker Cam	.26
33	XX050-01	Screw - Release Slider	.15	71	JX041-01	Click Cam Adapter	.36
34	JX339-02	Release Slider Assy	1.80	72	JX075-01	C-Clip	.21
35	JX102-01	Post - Kick Lever Guide	.88	73	JX109-02	Click Lever	.52
36	JX008-01	Crank Shaft	1.80	74	QW053-05	Screw - Click Lever	.26
37	JX112-01	O/S Drive Gear	.46				
38	JX083-01	Trip Ratchet	.93				

MODEL INTRODUCED	1996	EFFECTIVE DATE OF PARTS LIST/DIAGRAM	Oct. 1996	DISCONTINUED	N/A
-------------------------	------	---	-----------	---------------------	-----

Prices subject to change without notice. Prices do not include postage and handling.

