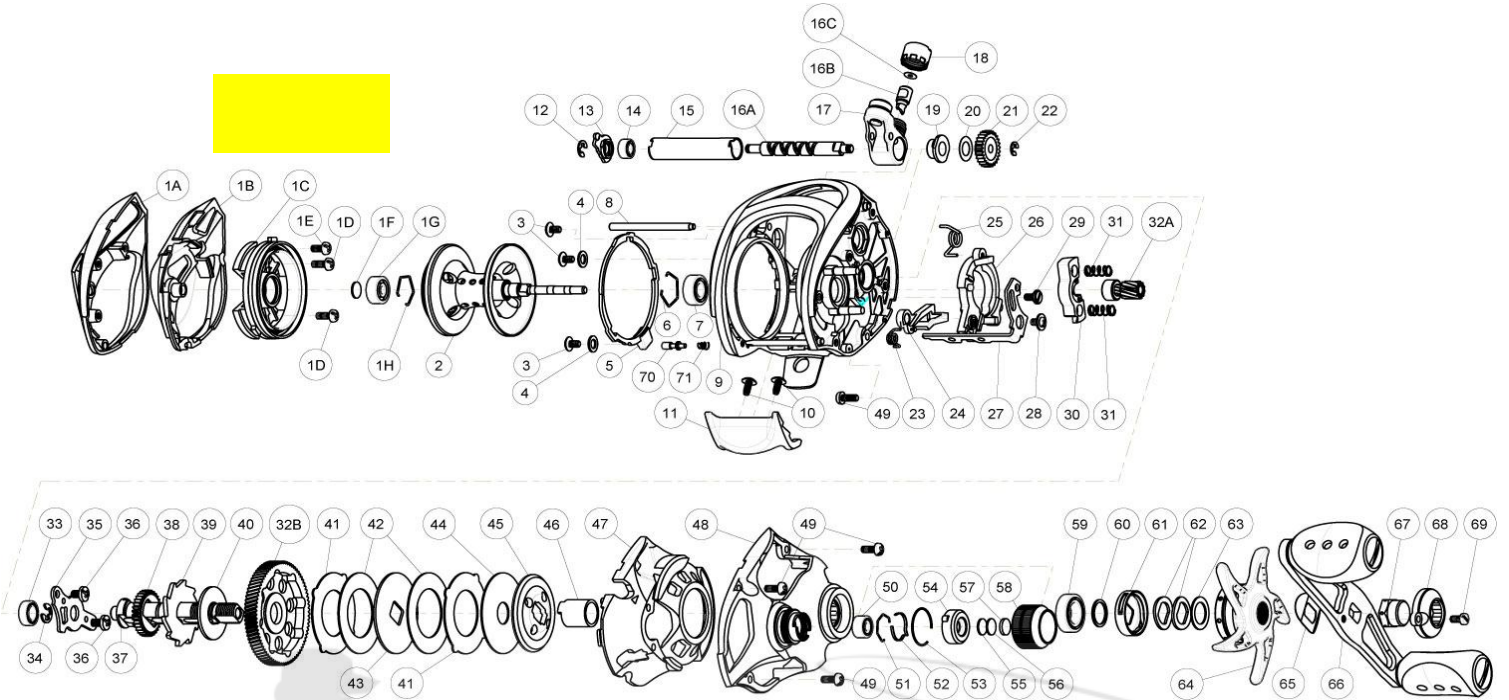


# QUANTUM<sup>®</sup>

## Exo EX100PPT



Quantum EX100PPT Bait Cast Reel Part List

| Key # | Description                          | Qty | Part No.  | Key # | Description                         | Qty | Part No.  |
|-------|--------------------------------------|-----|-----------|-------|-------------------------------------|-----|-----------|
| 1     | Palm Side Cover Kit EX100            | 1   | LX4023-01 | 32    | Gear Kit Include                    | 1   | GW4011-02 |
|       | 1A - Palm Side Cover                 | 1   | N/A       |       | 37A - Pinion Gear Assembly          | 1   | N/A       |
|       | 1B - Palm Side Cover Insert          | 1   | N/A       |       | 37B - Drive Gear                    | 1   | N/A       |
|       | 1C - Spool Cover Assembly            | 1   | N/A       | 33    | Crank Shaft Ball Bearing - L        | 1   | SW017-01  |
|       | 1D - Spool Cover Screw A             | 2   | N/A       | 34    | E-Clip                              | 1   | QW120-01  |
|       | 1E - Spool Cover Screw B             | 1   | N/A       | 35    | Crank Shaft Retainer                | 1   | LX002-01  |
|       | 1F - Spool Tension Shim              | 1   | N/A       | 36    | Crank Shaft Retainer Screw          | 2   | JX107-04  |
|       | 1G - Spool Shaft Ball Bearing - Palm | 1   | N/A       | 37    | Crank Shaft                         | 1   | YW008-01  |
|       | 1H - Clip Ring                       | 1   | N/A       | 38    | O/S Drive Gear                      | 1   | PW112-01  |
| 2     | Spool Assembly                       | 1   | LX321-01  | 39    | Trip Ratchet                        | 1   | PW083-01  |
| 3     | Side Cover Locking Plate Screw       | 1   | QW053-09  | 40    | Trip Ratchet Washer                 | 1   | YW111-01  |
| 4     | Side Cover Locking Plate Washer      | 2   | QW035-01  | 41    | Drag Key Washer                     | 1   | PW048-02  |
| 5     | Side Cover Locking Lever Assembly    | 1   | LX362-01  | 42    | Drag Disc - A                       | 1   | PW059-01  |
| 6     | Clip Ring                            | 1   | EX080-01  | 43    | Drag "D" Washer                     | 1   | YW045-02  |
| 7     | Spool Shaft Ball Bearing - Gear      | 1   | EX017-02  | 44    | Drag Disc - B                       | 1   | YW059-01  |
| 8     | Stabilizer Bar - A                   | 1   | DW061-01  | 45    | Drag Washer                         | 1   | PW045-02  |
| 9     | Frame Assembly                       | 1   | LX301-06  | 46    | One Way Clutch Sleeve               | 1   | UX052-01  |
| 10    | Thumb Bar Screw                      | 1   | CW125-01  | 47    | Gear Side Cover Insert              | 1   | LX143-01  |
| 11    | Thumb Bar                            | 1   | LX009-01  | 48    | Gear Side Cover Assembly            | 1   | LX324-06  |
| 12    | E-Clip                               | 1   | NX092-01  | 49    | Gear Side Cover Screw               | 4   | BV123-05  |
| 13    | Bearing Retainer                     | 1   | LX067-01  | 50    | Tension Knob Ball Bearing           | 1   | SW117-01  |
| 14    | Worm Shaft Ball Bearing              | 1   | XX117-01  | 51    | Tension Knob Ball Bearing Clip Ring | 1   | PW080-01  |
| 15    | Worm Shaft Guide                     | 1   | DW016-01  | 52    | Tension Knob Click Spring           | 1   | PW114-01  |
| 16    | Worm Shaft Kit Include               | 1   | HV4072-02 | 53    | Tension Knob Click Ratchet Retainer | 1   | YW080-01  |
|       | 14A - Worm Shaft                     | 1   | N/A       | 54    | Tension Knob Click Ratchet          | 1   | PW113-01  |
|       | 14B - Line Guide Pawl                | 1   | N/A       | 55    | Spool Tension Washer                | 1   | QW032-04  |
|       | 14C - Line Guide Carrier Washer      | 1   | N/A       | 56    | Spool Tension Support Washer        | 1   | PW032-01  |
| 17    | Line Guide Carrier Assembly          | 1   | PW347-01  | 57    | Spool Cushion Washer                | 1   | EX082-02  |
| 18    | Line Guide Carrier Screw             | 1   | ZW007-01  | 58    | Spool Tension Knob Kit              | 1   | PW4033-05 |
| 19    | Worm Shaft Bushing - Gear Side       | 1   | PW068-01  | 59    | Crank Shaft Ball Bearing            | 1   | TW058-01  |
| 20    | O/S Pinion Gear Washer               | 1   | EX035-01  | 60    | Crank Shaft Ball Bearing Washer     | 1   | TW035-02  |
| 21    | O/S Pinion Gear                      | 1   | PW085-01  | 61    | Drag Click Spring Assembly          | 1   | YX4114-02 |
| 22    | E-Clip                               | 1   | NX090-01  | 62    | Spring "D" Washer                   | 2   | JX046-01  |
| 23    | Kick Lever Spring                    | 1   | GX097-01  | 63    | Star Drag Washer                    | 1   | ZW032-01  |
| 24    | Kick Lever                           | 1   | PW077-01  | 64    | Star Drag                           | 1   | DW055-08  |
| 25    | Release Slider Spring                | 1   | DW104-01  | 65    | Handle Washer                       | 1   | NX054-01  |
| 26    | Release Slider                       | 1   | LX039-01  | 66    | Handle Assembly                     | 1   | LX318-01  |
| 27    | Release Slider Link                  | 1   | LX036-01  | 67    | Handle Nut                          | 1   | DW003-05  |
| 28    | Release Slider Screw                 | 1   | CX076-03  | 68    | Handle Nut Cap                      | 1   | DW034-02  |
| 29    | Release Slider Link Screw            | 1   | EW125-02  | 69    | Handle Nut Cap Screw                | 1   | DW050-02  |
| 30    | Pinion Yoke                          | 1   | PW025-01  | 70    | Locking Lever Stopper               | 1   | NB093-01  |
| 31    | Yoke Spring                          | 2   | GX040-01  | 71    | Locking Lever Stopper Spring        | 1   | NB040-01  |