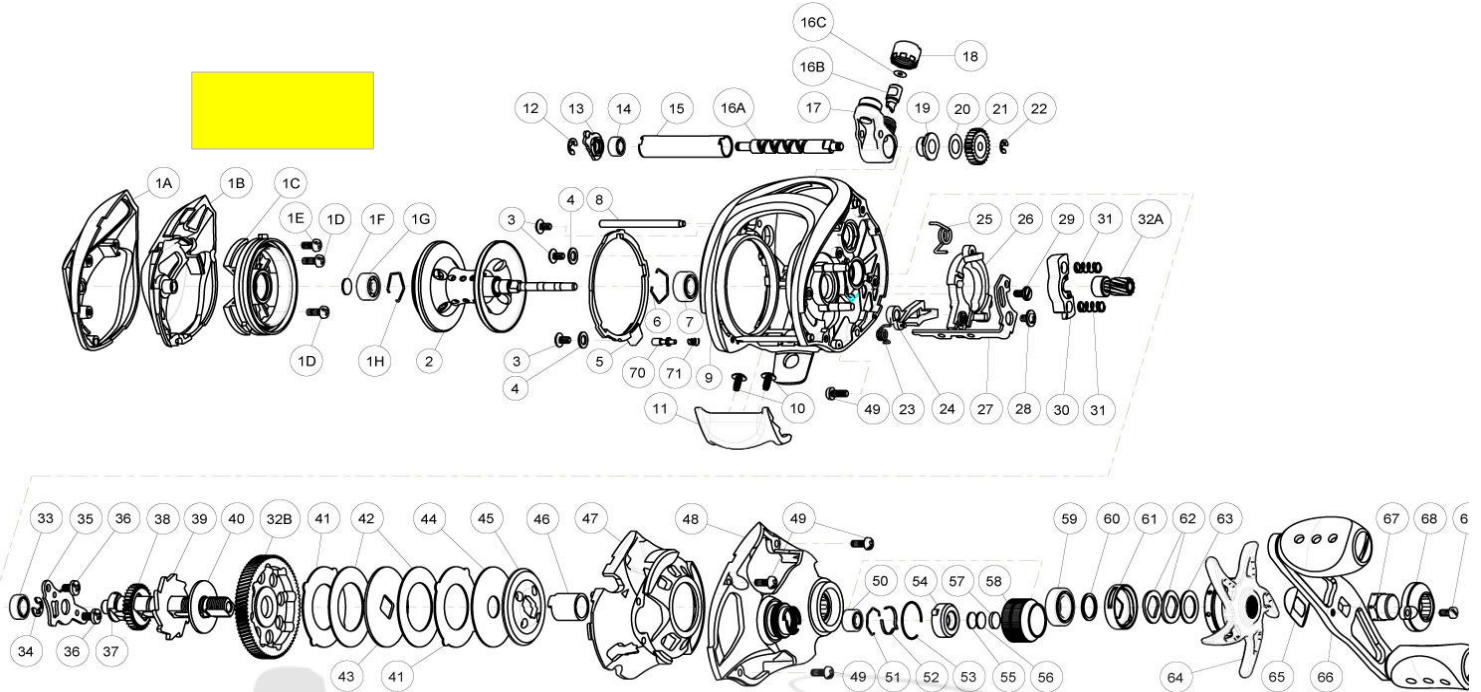


QUANTUM[®]

Exo EX100HPT



Quantum EX100HPT Bait Cast Reel Part List

Key #	Description	Qty	Part No.	Key #	Description	Qty	Part No.
1	Palm Side Cover Kit EX100	1	LX4023-01	32	Gear Kit Include	1	PW4011-03
	1A - Palm Side Cover	1	N/A		37A - Pinion Gear Assembly	1	N/A
	1B - Palm Side Cover Insert	1	N/A		37B - Drive Gear	1	N/A
	1C - Spool Cover Assembly	1	N/A	33	Crank Shaft Ball Bearing - L	1	SW017-01
	1D - Spool Cover Screw A	2	N/A	34	E-Clip	1	QW120-01
	1E - Spool Cover Screw B	1	N/A	35	Crank Shaft Retainer	1	LX002-01
	1F - Spool Tension Shim	1	N/A	36	Crank Shaft Retainer Screw	2	JX107-04
	1G - Spool Shaft Ball Bearing - Palm	1	N/A	37	Crank Shaft	1	YW008-01
	1H - Clip Ring	1	N/A	38	O/S Drive Gear	1	PW112-01
2	Spool Assembly	1	LX321-01	39	Trip Ratchet	1	PW083-01
3	Side Cover Locking Plate Screw	1	QW053-09	40	Trip Ratchet Washer	1	YW111-01
4	Side Cover Locking Plate Washer	2	QW035-01	41	Drag Key Washer	1	PW048-02
5	Side Cover Locking Lever Assembly	1	LX362-01	42	Drag Disc - A	1	PW059-01
6	Clip Ring	1	EX080-01	43	Drag "D" Washer	1	YW045-02
7	Spool Shaft Ball Bearing - Gear	1	EX017-02	44	Drag Disc - B	1	YW059-01
8	Stabilizer Bar - A	1	DW061-01	45	Drag Washer	1	PW045-02
9	Frame Assembly	1	LX301-04	46	One Way Clutch Sleeve	1	UX052-01
10	Thumb Bar Screw	1	CW125-01	47	Gear Side Cover Insert	1	LX143-01
11	Thumb Bar	1	LX009-01	48	Gear Side Cover Assembly	1	LX324-04
12	E-Clip	1	NX092-01	49	Gear Side Cover Screw	4	BV123-05
13	Bearing Retainer	1	LX067-01	50	Tension Knob Ball Bearing	1	SW117-01
14	Worm Shaft Ball Bearing	1	XW117-01	51	Tension Knob Ball Bearing Clip Ring	1	PW080-01
15	Worm Shaft Guide	1	DW016-01	52	Tension Knob Click Spring	1	PW114-01
16	Worm Shaft Kit Include	1	HV4072-02	53	Tension Knob Click Ratchet Retainer	1	YW080-01
	14A - Worm Shaft	1	N/A	54	Tension Knob Click Ratchet	1	PW113-01
	14B - Line Guide Pawl	1	N/A	55	Spool Tension Washer	1	QW032-04
	14C - Line Guide Carrier Washer	1	N/A	56	Spool Tension Support Washer	1	PW032-01
17	Line Guide Carrier Assembly	1	PW347-01	57	Spool Cushion Washer	1	EX082-02
18	Line Guide Carrier Screw	1	ZW007-01	58	Spool Tension Knob Kit	1	PW4033-05
19	Worm Shaft Bushing - Gear Side	1	PW068-01	59	Crank Shaft Ball Bearing	1	TW058-01
20	O/S Pinion Gear Washer	1	EX035-01	60	Crank Shaft Ball Bearing Washer	1	TW035-02
21	O/S Pinion Gear	1	PW085-01	61	Drag Click Spring Assembly	1	YX4114-02
22	E-Clip	1	NX090-01	62	Spring "D" Washer	2	JX046-01
23	Kick Lever Spring	1	GX097-01	63	Star Drag Washer	1	ZW032-01
24	Kick Lever	1	PW077-01	64	Star Drag	1	DW055-08
25	Release Slider Spring	1	DW104-01	65	Handle Washer	1	NX054-01
26	Release Slider	1	LX039-01	66	Handle Assembly	1	LX318-01
27	Release Slider Link	1	LX036-01	67	Handle Nut	1	DW003-05
28	Release Slider Screw	1	CX076-03	68	Handle Nut Cap	1	DW034-02
29	Release Slider Link Screw	1	EW125-02	69	Handle Nut Cap Screw	1	DW050-02
30	Pinion Yoke	1	PW025-01	70	Locking Lever Stopper	1	NB093-01
31	Yoke Spring	2	GX040-01	71	Locking Lever Stopper Spring	1	NB040-01