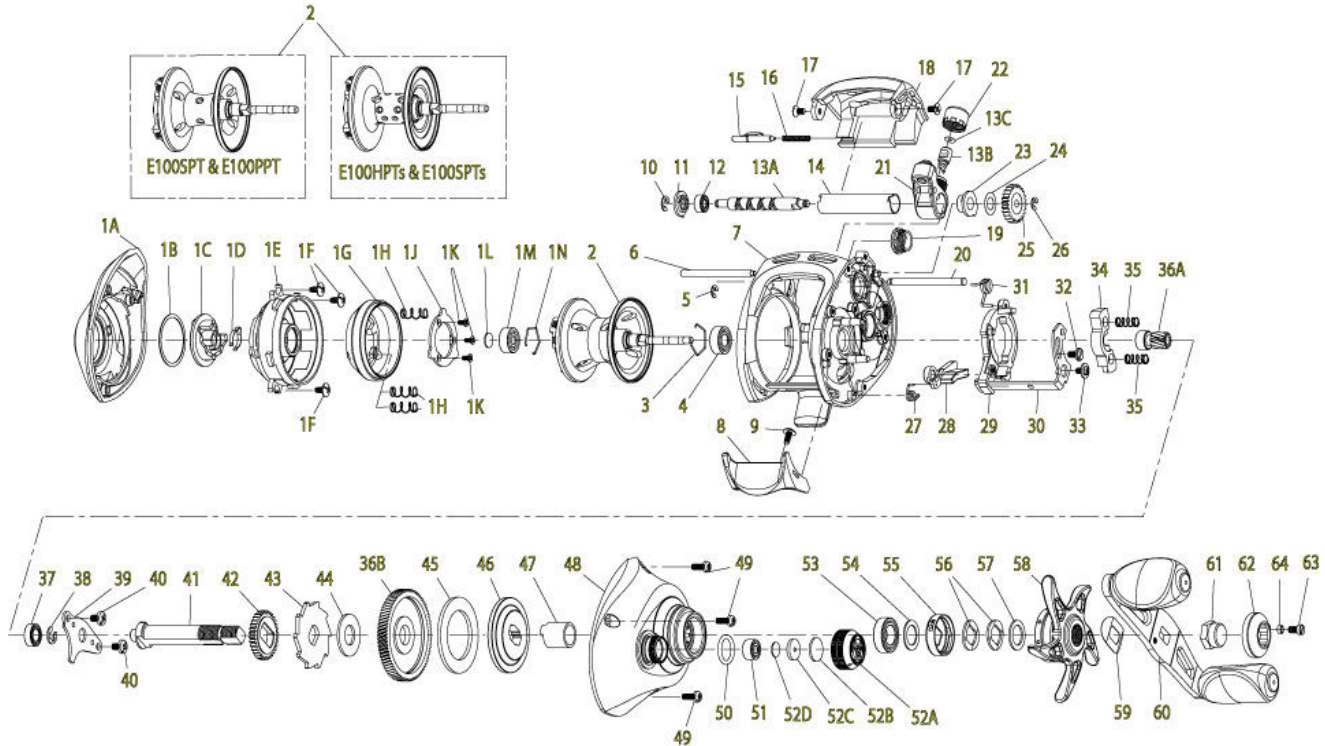


# QUANTUM<sup>®</sup>

## Energy E100HPTs

For Parts and Service  
 Call 1-888-404-1119  
 www.mikesreelrepair.com



Quantum Energy E100HPTs Baitcast Reel Part List					
Key #	Description	Part No.	Key #	Description	Part No.
1	Palm Side Cover Kit include:	EW4023-02	28	Kick Lever	DW077-01
1-A	Palm Side Cover Assembly	N/A	29	Release Slider	DW039-01
1-B	Centrifugal Dial Washer	N/A	30	Release Slider Link	DW036-01
1-C	Centrifugal Dial Assembly	N/A	31	Release Slider Spring	DW104-01
1-D	Centrifugal Dial Spring	N/A	32	Release Slider Link Screw	EW125-01
1-E	Spool Cover	N/A	33	Release Slider Screw	CX076-03
1-F	Spool Cover Screw	N/A	34	Pinion Yoke	DW025-01
1-G	Brake Ring Assembly	N/A	35	Yoke Spring	GX040-01
1-H	Brake Ring Slider Spring	N/A	36	Gear Kit Includes:	VX4011-01
1-J	Brake Ring Slider Spring Retainer	N/A	36-A	Pinion Gear Assembly	N/A
1-I	Brake Ring Spring Retainer Screw	N/A	36-B	Drive Gear	N/A
1-L	Spool Tension Shim	N/A	37	Crank Shaft Ball Bearing - L	SW017-01
1-M	Spool Shaft Ball Bearing - Palm	N/A	38	E-Clip	QW120-01
1-N	Clip Ring	N/A	39	Crank Shaft Retainer	DW002-01
2	Spool Assembly	EW321-02	40	Crank Shaft Retainer Screw	JX107-02
3	Clip Ring	EX080-01	41	Crank Shaft	DW008-01
4	Spool Shaft Ball Bearing - Gear	EX017-02	42	O/S Drive Gear	DW112-01
5	E-Clip	NX090-01	43	Trip Ratchet	DW083-01
6	Stabilizer Bar - A	DW061-01	44	Trip Ratchet Washer	QW111-01
7	Frame	N/A	45	Drag Disc	UX059-01
8	Thumb Bar	DW009-01	46	Drag Washer	DW045-01
9	Thumb Bar Screw	CW125-01	47	One Way Clutch Sleeve	UX052-01
10	E-Clip	NX092-01	48	Gear Side Cover Assembly	DW324-08
11	Bearing Retainer	DW067-01	49	Gear Side Cover Screw	BV123-03
12	Worm Shaft Ball Bearing	XX117-01	50	Tension Knob O-Ring	QW101-01
13	Worm Shaft Kit Includes:	HV4072-02	51	Tension Knob Ball Bearing	SW117-01
13-A	Worm Shaft	N/A	52	Spool Tension Knob Kit includes:	DW4033-03
13-B	Line Guide Pawl	N/A	52-A	Spool Tension Knob Assembly	N/A
13-C	Line Guide Carrier Washer	N/A	52-B	Spool Cushion Washer	N/A
14	Worm Shaft Guide	DW016-01	52-C	Spool Tension Collar	N/A
15	Side Cover Locking Lever	YX119-02	52-D	Spool Tension Washer	N/A
16	Side Cover Locking Lever Spring	ZW096-01	53	Crank Shaft Ball Bearing	TW058-01
17	Hood Screw	HX107-02	54	Crank Shaft Ball Bearing Washer	ZW032-01
18	Hood	EW027-02	55	Drag Click Spring Assembly	YX4114-01
19	Oil Cap Screw	DW150-03	56	Drag "D" Washer	JX046-01
20	Stabilizer Bar - B	WP061-01	57	Star Drag Washer	ZW032-01
21	Line Guide Carrier	DW047-01	58	Star Drag	DW055-04
22	Line Guide Carrier Screw	ZW007-02	59	Handle Washer	NX054-01
23	Worm Shaft Bushing - Gear Side	DW068-01	60	Handle Assembly	EW318-02
24	O/S Pinion Gear Washer	EX035-01	61	Handle Nut	DW003-04
25	O/S Pinion Gear	DW085-01	62	Handle Nut Cap	EW034-04
26	E-Clip	NX090-01	63	Handle Nut Cap Screw	DW050-04
27	Kick Lever Spring	GX097-01	64	Handle Nut Cap Collar	EW088-01