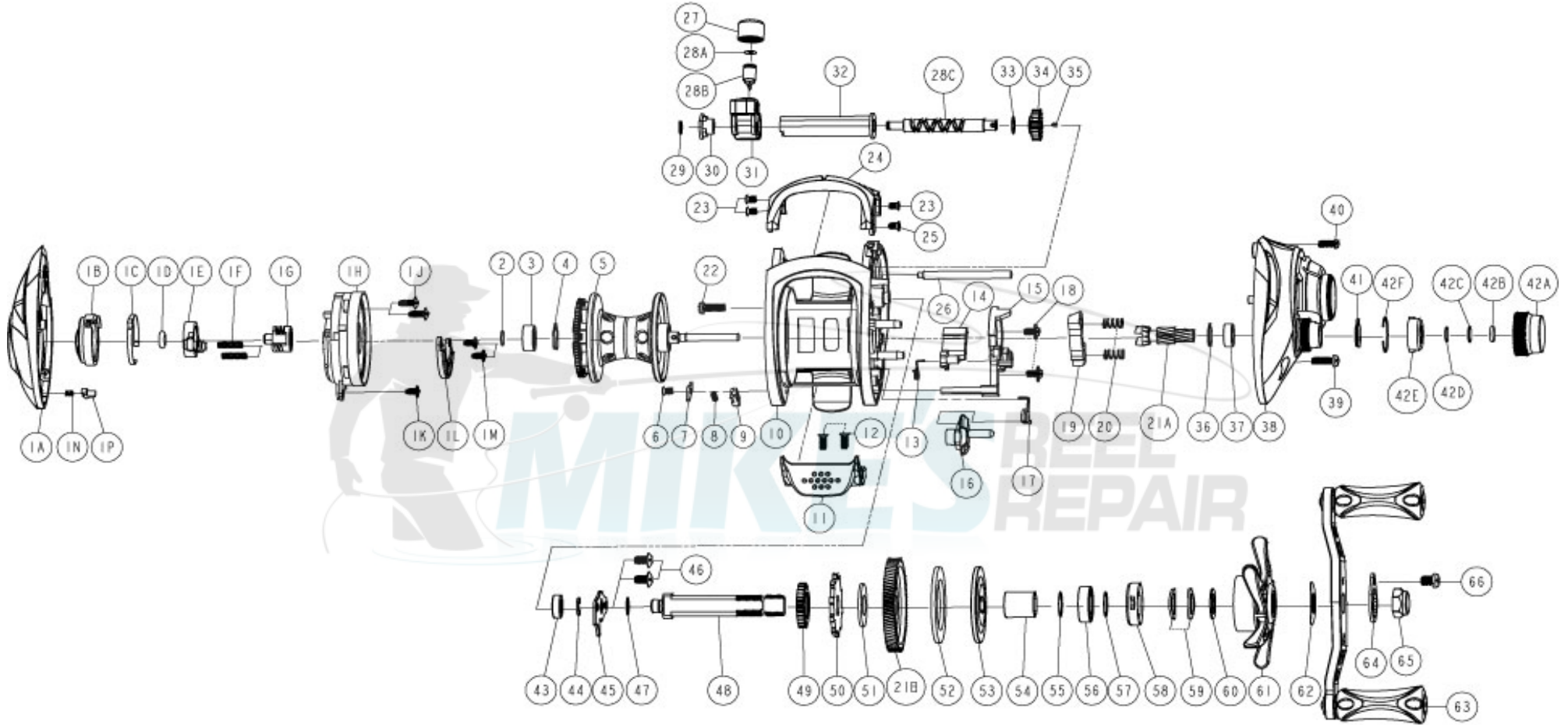


QUANTUM[®]

Catalyst

CT100SPTA



QUANTUM[®]

Catalyst

CT100SPTA

Quantum CT100SPTA Bait Cast Reel Part List

Key #	Description	Part No.	Qty.	Key #	Description	Part No.	Qty.
1	Palm Side Cover Kit	QA4023-01	1	29	Worm Shaft E-Clip	NX092-01	1
1A	Palm Side Cover Assembly	N/A	1	30	Worm Shaft Bushing	KW067-01	1
1B	Casting Control Dial	N/A	1	31	Line Guide Carrier Assembly	EB347-03	1
1C	Control Dial Clicker Spring	N/A	1	32	Worm Shaft Guide	KW016-01	1
1D	Control Dial Friction Ring	N/A	1	33	Worm Shaft Washer(Gear Side)	PA035-01	1
1E	Slide Cam "A"	N/A	1	34	Worm Shaft Pinion Gear	PA085-01	1
1F	Magnet Plate Spring	N/A	2	35	Worm Shaft E-Clip	NX090-01	1
1G	Slide Cam "B"	N/A	1	36	Spool Tension Knob Bearing Retainer	EB080-01	1
1H	Spool Cover Assembly	N/A	1	37	Spool Tension Knob Ball Bearing	SW017-01	1
1J	Spool Cover Screw "A"	N/A	2	38	Gear Side Cover Assembly	PA324-04	1
1K	Spool Cover Screw "B"	N/A	1	39	Gear Side Cover Screw "A"	KW123-02	1
1L	Magnet Plate Assembly	N/A	1	40	Gear Side Cover Screw "B"	PA123-01	1
1M	Screw	N/A	2	41	Spool Tension Knob Click Spring	PA114-01	1
1N	Side Cover Locking Pin Spring	N/A	1	42	Spool Tension Knob Kit	PA4033-02	1
1P	Side Cover Locking Pin	N/A	1	42A	Spool Tension Knob	N/A	1
2	Spool Shaft Washer(Palm Side)	QW032-04	1	42B	Spool Cushion Washer	N/A	1
3	Spool Shaft Ball Bearing(Palm Side)	QV017-01	1	42C	Spool Tension Knob Washer "B"	N/A	1
4	Bearing Retainer Ring	HV080-01	1	42D	Spool Tension Knob Washer "A"	N/A	1
5	Spool Assembly	EB321-05	1	42E	Click Ratchet	N/A	1
6	Locking Lever Retainer Screw	KW107-01	1	42F	C-Ring	N/A	1
7	Locking Lever Retainer	KW056-01	1	43	Crank Shaft Ball Bearing	SW017-01	1
8	Locking Lever Spring	KW096-01	1	44	Crank Shaft E-Clip	QW120-01	1
9	Locking Lever	KW119-02	1	45	Crank Shaft Retainer Plate	KW002-01	1
10	Frame	PA001-02	1	46	Crank Shaft Retainer Plate Screw	QW125-02	2
11	Thumb Bar	PA009-02	1	47	Adjustment Washer	EB032-01	1
12	Thumb Bar Screw	EB107-01	2	48	Crank Shaft	EB008-01	1
13	Kick Lever Spring	EB097-01	1	49	Worm Shaft Drive Gear	ZW112-01	1
14	Kick Lever	EB077-01	1	50	Trip Ratchet	PA083-01	1
15	Release Slider	EB039-01	1	51	Trip Ratchet Washer	PA111-01	1
16	Flipping Switch	EB087-03	1	52	Drag Washer	UX059-01	1
17	Release Slider Spring	MW104-01	1	53	Drag Key Washer	PA045-01	1
18	Release Slider Screw	EB125-01	2	54	One Way Clutch Sleeve	PA052-01	1
19	Pinion Yoke	EB025-01	1	55	Bearing Washer	KW032-01	1
20	Pinion Yoke Spring	KW040-01	2	56	Crank Shaft Ball Bearing (Handle Side)	TW058-02	1
21	Gear Kit	QA4011-02	1	57	Star Drag Washer "A"	KW032-01	1
21A	Pinion Gear	N/A	1	58	Star Drag Clicker Spring Assembly	PA4114-01	1
21B	Drive Gear	N/A	1	59	Star Drag Spring Washer	JX046-01	2
22	Gear Side Cover Screw "A"	KW123-02	1	60	Star Drag Washer "B"	PA032-01	1
23	Front Support Screw "A"	KW107-01	3	61	Star Drag	PA055-02	1
24	Front Support	PA099-02	1	62	Handle Spring Washer	QW054-01	1
25	Front Support Screw "B"	PA107-01	1	63	Handle Assembly	QA318-01	1
26	Pillar	KW061-01	1	64	Handle Nut	KW003-03	1
27	Line Guide Pawl Screw	KW007-01	1	65	Handle Nut Retainer	KW034-05	1
28	Worm Shaft Kit	QA4072-01	1	66	Handle Nut Retainer Screw	QW123-02	1
28A	Line Guide Pawl Washer	N/A	1				
28B	Line Guide Pawl	N/A	1				
28C	Worm Shaft	N/A	1				