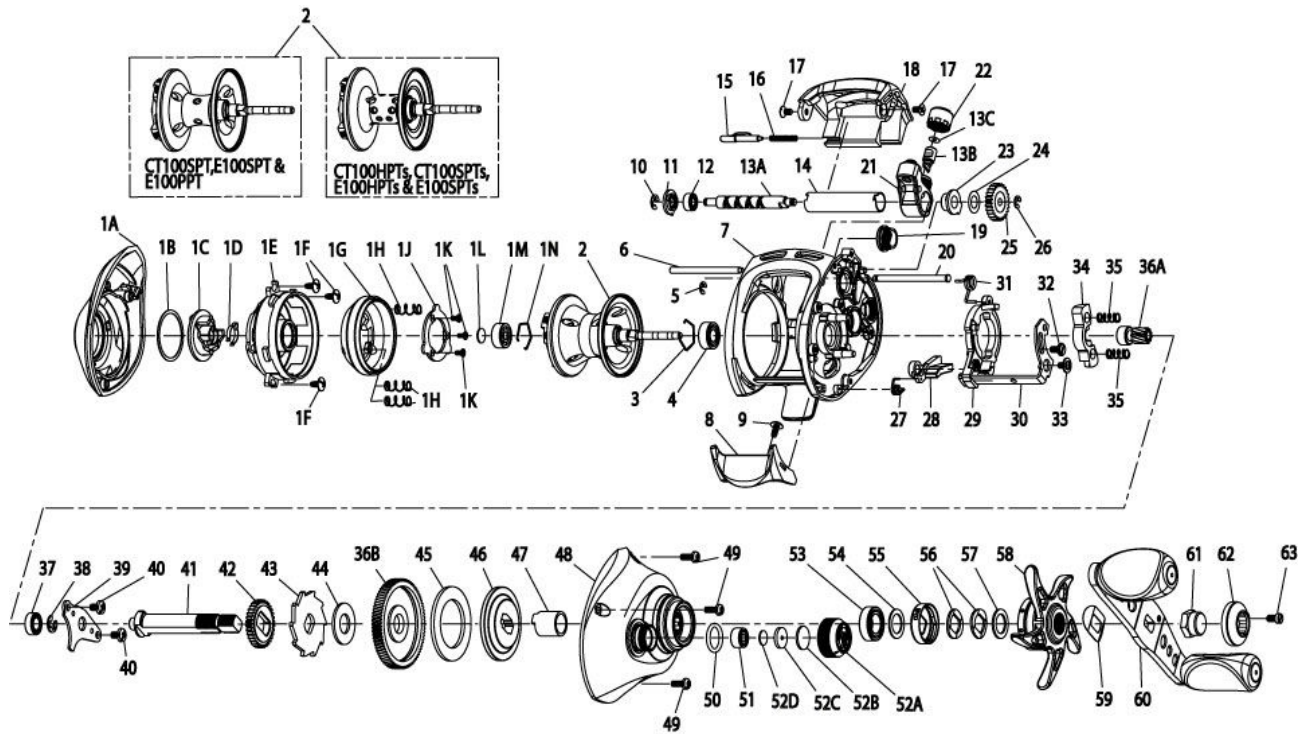


QUANTUM

CT100HPTs

For Parts and Service
 Call 1-888-404-1119
 www.mikesreelrepair.com



| Quantum CT100HPTs Bait Cast Reel Part List | | | | | |
|--|-----------------------------------|-----------|-------|---------------------------------|-----------|
| Key # | Description | Part No. | Key # | Description | Part No. |
| 1 | Palm Side Cover Kit include | DW4023-02 | 28 | Kick Lever | DW077-01 |
| 1-A | Palm Side Cover Assembly | N/A | 29 | Release Slider | DW039-01 |
| 1-B | Centrifugal Dial Washer | N/A | 30 | Release Slider Link | DW036-01 |
| 1-C | Centrifugal Dial Assembly | N/A | 31 | Release Slider Spring | DW104-01 |
| 1-D | Centrifugal Dial Spring | N/A | 32 | Release Slider Link Screw | EW125-01 |
| 1-E | Spool Cover | N/A | 33 | Release Slider Screw | CX076-03 |
| 1-F | Spool Cover Screw | N/A | 34 | Pinion Yoke | DW025-01 |
| 1-G | Brake Ring Assembly | N/A | 35 | Yoke Spring | GX040-01 |
| 1-H | Brake Ring Slider Spring | N/A | 36 | Gear Kit Include | VX4011-01 |
| 1-J | Brake Ring Slider Spring Retainer | N/A | 36-A | Pinion Gear Assembly | N/A |
| 1-K | Brake Ring Spring Retainer Screw | N/A | 36-B | Drive Gear | N/A |
| 1-L | Spool Tension Shim | N/A | 37 | Crank Shaft Ball Bearing - L | SW017-01 |
| 1-M | Spool Shaft Ball Bearing - Palm | N/A | 38 | E-Clip | QW120-01 |
| 1-N | Clip Ring | N/A | 39 | Crank Shaft Retainer | DW002-01 |
| 2 | Spool Assembly | EW321-01 | 40 | Crank Shaft Retainer Screw | JX107-02 |
| 3 | Clip Ring | EX080-01 | 41 | Crank Shaft | DW008-01 |
| 4 | Spool Shaft Ball Bearing - Gear | EX017-02 | 42 | O/S Drive Gear | DW112-01 |
| 5 | E-Clip | NX090-01 | 43 | Trip Ratchet | DW083-01 |
| 6 | Stabilizer Bar - A | DW061-01 | 44 | Trip Ratchet Washer | QW111-01 |
| 7 | Frame | DW001-03 | 45 | Drag Disc | UX059-01 |
| 8 | Thumb Bar | DW009-01 | 46 | Drag Washer | DW045-01 |
| 9 | Thumb Bar Screw | CW125-01 | 47 | One Way Clutch Sleeve | UX052-01 |
| 10 | E-Clip | NX092-01 | 48 | Gear Side Cover Assembly | DW324-03 |
| 11 | Bearing Retainer | DW067-01 | 49 | Gear Side Cover Screw | BV123-03 |
| 12 | Worm Shaft Ball Bearing | XX117-01 | 50 | Tension Knob O-Ring | QW101-01 |
| 13 | Worm Shaft Kit include | HV4072-02 | 51 | Tension Knob Ball Bearing | SW117-01 |
| 13-A | Worm Shaft | N/A | 52 | Spool Tension Knob Kit Include | DW4033-02 |
| 13-B | Line Guide Pawl | N/A | 52-A | Spool Tension Knob Assembly | N/A |
| 13-C | Line Guide Carrier Washer | N/A | 52-B | Spool Cushion Washer | N/A |
| 14 | Worm Shaft Guide | DW016-01 | 52-C | Spool Tension Collar | N/A |
| 15 | Side Cover Locking Lever | YX119-02 | 52-D | Spool Tension Washer | N/A |
| 16 | Side Cover Locking Lever Spring | ZW096-01 | 53 | Crank Shaft Ball Bearing | TW058-01 |
| 17 | Hood Screw | HX107-02 | 54 | Crank Shaft Ball Bearing Washer | ZW032-01 |
| 18 | Hood | DW027-02 | 55 | Drag Click Spring Assembly | YX4114-01 |
| 19 | Oil Cap Screw | DW150-02 | 56 | Drag "D" Washer | JX046-01 |
| 20 | Stabilizer Bar - B | WP061-01 | 57 | Star Drag Washer | ZW032-01 |
| 21 | Line Guide Carrier | DW047-01 | 58 | Star Drag | DW055-02 |
| 22 | Line Guide Carrier Screw | ZW007-02 | 59 | Handle Washer | NX054-01 |
| 23 | Worm Shaft Bushing - Gear Side | DW068-01 | 60 | Handle Assembly | DW318-02 |
| 24 | O/S Pinion Gear Washer | EX035-01 | 61 | Handle Nut | DW003-01 |
| 25 | O/S Pinion Gear | DW085-01 | 62 | Handle Nut Cap | DW034-01 |
| 26 | E-Clip | NX090-01 | 63 | Handle Nut Cap Screw | DW050-01 |
| 27 | Kick Lever Spring | GX097-01 | | | |