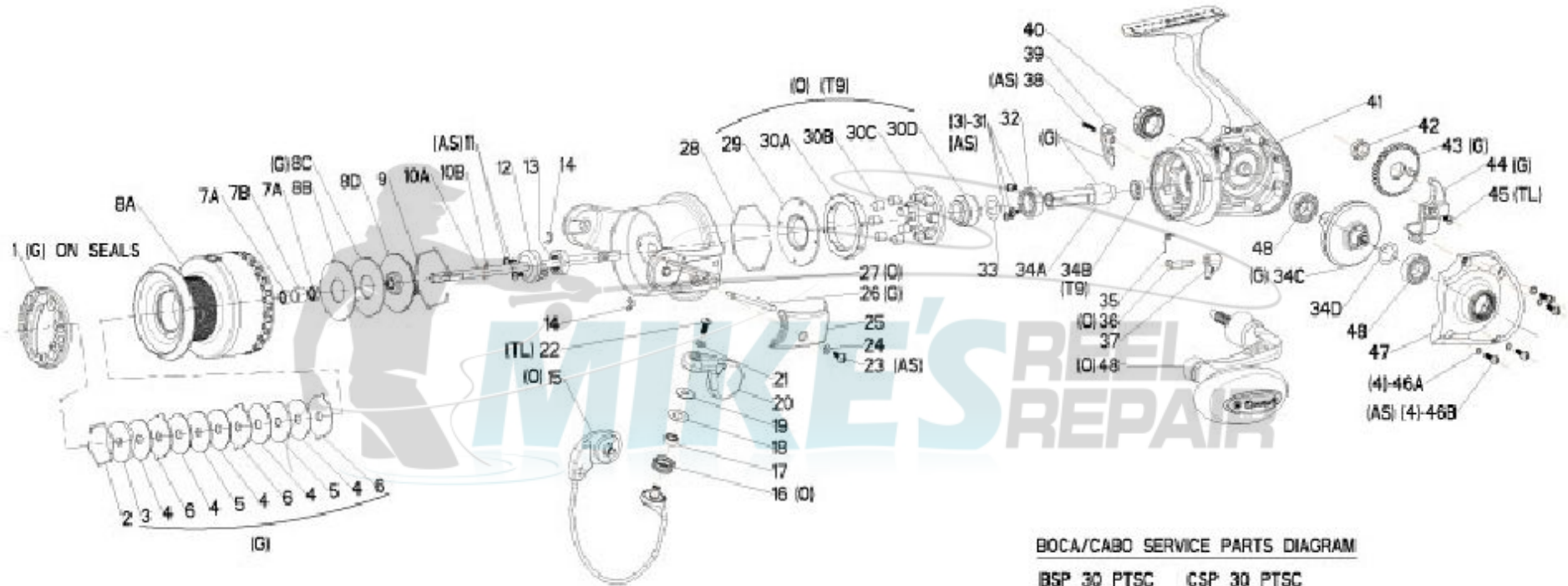


# QUANTUM<sup>®</sup>

## CSP80PTSC



### BOCA/CABO SERVICE PARTS DIAGRAM

BSP 30 PTSC	CSP 30 PTSC
BSP 40 PTSC	CSP 40 PTSC
BSP 50 PTSC	CSP 50 PTSC
BSP 60 PTSC	CSP 60 PTSC
BSP 80 PTSC	CSP 80 PTSC

- (O) : OIL - HOT SAUCE
- (G) : GREASE - HOT SAUCE
- (AS) : ANTI-SEIZE (ON SCREW THREADS)
- (TL) : THREAD LOCKING COMPOUND (ON SCREW THREADS)
- (T9) : ANTI-CORROSION LUBRICANT

# QUANTUM<sup>®</sup>

## CSP80PTSC

### Quantum CSP80PTsC Spinning Reel Part List

Key #	Description	Part No.	Key #	Description	Part No.
1	DRAG KNOB ASSEMBLY	DT332-51	23	SCREW - ARM LEVER COVER	GU077-02
2	RETAINER CLIP	BT038-02	24	WASHER - ARM LEVER COVER	SQ142-01
3	DRAG WASHER "D"	CT080-02	25	ARM LEVER COVER	DT087-01
4	DRAG WASHER "B" - FRICTION	BT033-01	26	KICK LEVER	DT019-01
5	DRAG WASHER "D"	BT080-01	27	ROTOR ASSEMBLY	DT309-51
6	DRAG WASHER "A"	BT081-01	28	RETAINER CLIP - CLUTCH	QAA038-01
7	SPOOL BUSHING OR BEARING KIT	CT4157-51	29	SEAL - CLUTCH	QAA166-01
	7A - SPOOL BUSHING OR BEARING	N/A	30	CLUTCH ASSEMBLY KIT	QAA4363-01
	7B - SPOOL SPACER	N/A		30A - CLUTCH LOCK RING	N/A
8	SPOOL ASSEMBLY KIT	ET4321-51		30B - CLUTCH ROLLER (7)	N/A
	8A - SPOOL ASSEMBLY	N/A		30C - CLUTCH RETAINER	N/A
	2 - SPOOL RETAINER - TOP	N/A		30D - CLUTCH SLEEVE	N/A
	3 - DRAG WASHER "D" (1)	N/A	31	SCREW (3)	TK057-01
	4 - DRAG WASHER "B" (5) - FRICTION	N/A	32	BALL BEARING - PINION	DT157-01
	5 - DRAG WASHER "D" (2)	N/A	33	WASHER - PINION	BT110-01
	6 - DRAG WASHER "A" (3)	N/A	34	GEAR KIT	DT4011-02
	7 - SPOOL BUSHING OR BEARING KIT	N/A		34A - PINION GEAR	DT011-02
	8B - DRAG WASHER "E"	N/A		34B - PINION BUSHING/BEARING	CH027-01
	8C - SPOOL WASHER	N/A		34C - DRIVE GEAR ASSEMBLY	DT312-51
	8D - DRAG CLICK ASSEMBLY	N/A		34D - D.GEAR ADJUST WASHER	GU105-36A
	9 - SPOOL RETAINER - BOTTOM	N/A	35	SPRING - ANTI-REVERSE	N/A
9	RETAINER CLIP	BT038-01	36	ACTUATOR - ANTI-REVERSE	N/A
10	MAIN SHAFT KIT	DT4015-02	37	LEVER - ANTI-REVERSE	N/A
	10A - MAIN SHAFT	N/A	38	SCREW - TRIP RAMP	N/A
	10B - MAIN SHAFT PIN	N/A	39	TRIP RAMP	N/A
11	SCREW - ROTOR NUT	RQ094-01	40	HANDLE CAP	BT373-51
12	MAIN SHAFT BUSHING	DT214-01	41	BODY ASSEMBLY	ET301-52
13	NUT - ROTOR	BT006-01	42	O/S GEAR BUSHING OR BEARING	DT027-01
14	E-CLIP	GH034-01	43	GEAR - OSCILLATOR	DT053-01
15	BAIL ASSEMBLY	DT347-02	44	OSCILLATOR SLIDER	DT025-01
16	LINE ROLLER	TK004-01	45	SCREW - MAIN SHAFT	RQ100-01
17	BALL BEARING - LINE ROLLER	GH202-01	46	BODY COVER SCREW KIT	DT4057-01
18	SPACER	DT167-01		46A - SCRATCH PROTECT WASHER (4)	N/A
19	WASHER - LINE ROLLER	DT229-01		46B - BODY COVER SCREW (4)	N/A
20	ARM LEVER ASSEMBLY	BT407-04	47	BODY COVER	ET023-51
21	WASHER - SCRATCH PROTECTION	PAA065-01	48	BALL BEARING - BODY	BT157-01
22	SCREW - LINE SLIDER	AQ108-01	49	HANDLE ASSEMBLY	SAA318-51