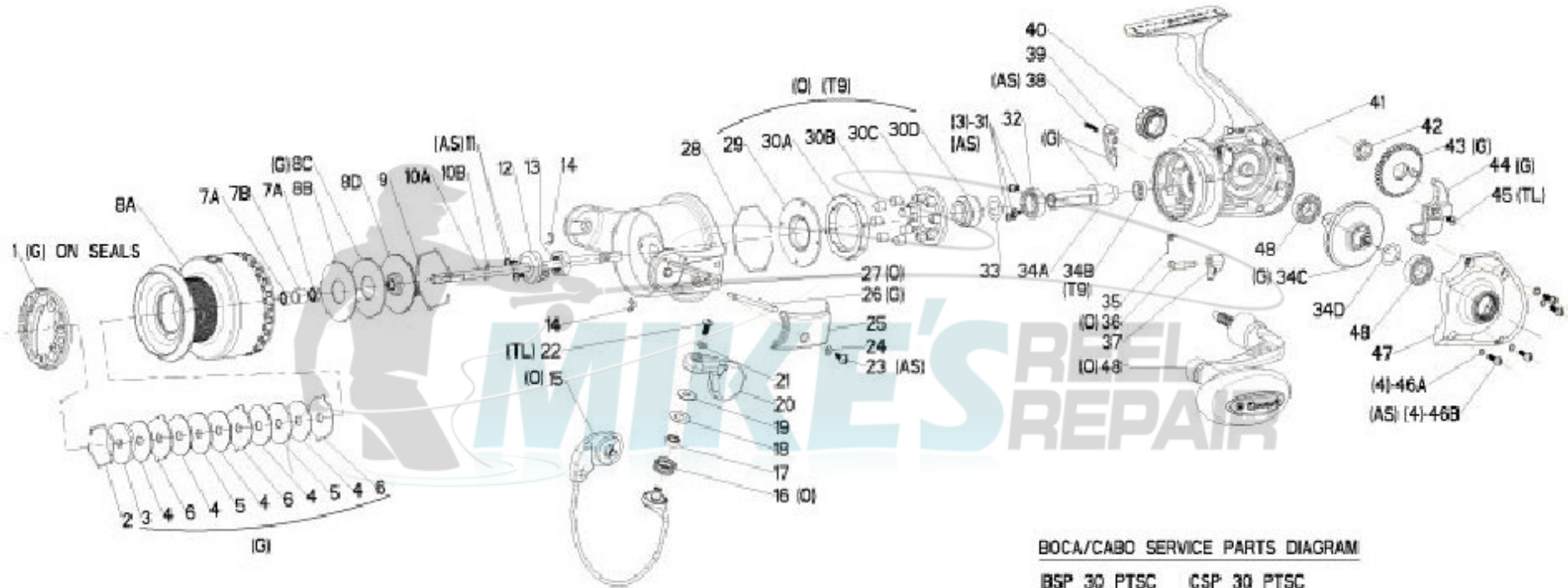


# QUANTUM<sup>®</sup>

## CSP60PTSC



### BOCA/CABO SERVICE PARTS DIAGRAM

BSP 30 PTSC	CSP 30 PTSC
BSP 40 PTSC	CSP 40 PTSC
BSP 50 PTSC	CSP 50 PTSC
BSP 60 PTSC	CSP 60 PTSC
BSP 80 PTSC	CSP 80 PTSC

(O) : OIL - HOT SAUCE  
 (IG) : GREASE - HOT SAUCE  
 (AS) : ANTI-SEIZE (ON SCREW THREADS)  
 (TL) : THREAD LOCKING COMPOUND (ON SCREW THREADS)  
 (T9) : ANTI-CORROSION LUBRICANT

# QUANTUM<sup>®</sup>

## CSP60PTSC

### Quantum CSP60PTsC Spinning Reel Part List

Key #	Description	Part No.	Key #	Description	Part No.
1	DRAG KNOB ASSEMBLY	BT332-51	23	SCREW - ARM LEVER COVER	GU077-02
2	RETAINER CLIP	BT038-02	24	WASHER - ARM LEVER COVER	SQ142-01
3	DRAG WASHER "D"	CT080-02	25	ARM LEVER COVER	BT087-01
4	DRAG WASHER "B" - FRICTION	BT033-01	26	KICK LEVER	BT019-01
5	DRAG WASHER "D"	BT080-01	27	ROTOR ASSEMBLY	BT309-02
6	DRAG WASHER "A"	BT081-01	28	RETAINER CLIP - CLUTCH	QAA038-01
7	SPOOL BUSHING OR BEARING KIT	CT4157-51	29	SEAL - CLUTCH	QAA166-01
	7A - SPOOL BUSHING OR BEARING	N/A	30	CLUTCH ASSEMBLY KIT	QAA4363-01
	7B - SPOOL SPACER	N/A		30A - CLUTCH LOCK RING	N/A
8	SPOOL ASSEMBLY KIT	CT4321-51		30B - CLUTCH ROLLER (7)	N/A
	8A - SPOOL ASSEMBLY	N/A		30C - CLUTCH RETAINER	N/A
	2 - SPOOL RETAINER - TOP	N/A		30D - CLUTCH SLEEVE	N/A
	3 - DRAG WASHER "D" (1)	N/A	31	SCREW (3)	TK057-01
	4 - DRAG WASHER "B" (5) - FRICTION	N/A	32	BALL BEARING - PINION	BT157-01
	5 - DRAG WASHER "D" (2)	N/A	33	WASHER - PINION	BT110-01
	6 - DRAG WASHER "A" (3)	N/A	34	GEAR KIT	BT4011-02
	7 - SPOOL BUSHING OR BEARING KIT	N/A		34A - PINION GEAR	N/A
	8B - DRAG WASHER "E"	N/A		34B - PINION BUSHING/BEARING	N/A
	8C - SPOOL WASHER	N/A		34C - DRIVE GEAR ASSEMBLY	N/A
	8D - DRAG CLICK ASSEMBLY	N/A		34D - D.GEAR ADJUST WASHER	N/A
	9 - SPOOL RETAINER - BOTTOM	N/A	35	SPRING - ANTI-REVERSE	TK089-01
9	RETAINER CLIP	BT038-01	36	ACTUATOR - ANTI-REVERSE	BT090-01
10	MAIN SHAFT KIT	BT4015-02	37	LEVER - ANTI-REVERSE	RQ059-01
	10A - MAIN SHAFT	N/A	38	SCREW - TRIP RAMP	BT136-01
	10B - MAIN SHAFT PIN	N/A	39	TRIP RAMP	CT243-01
11	SCREW - ROTOR NUT	RQ094-01	40	HANDLE CAP	BT373-51
12	MAIN SHAFT BUSHING	BT214-01	41	BODY ASSEMBLY	BT301-54
13	NUT - ROTOR	BT006-01	42	O/S GEAR BUSHING OR BEARING	DT027-01
14	E-CLIP	GH034-01	43	GEAR - OSCILLATOR	BT053-01
15	BAIL ASSEMBLY	BT347-02	44	OSCILLATOR SLIDER	BT025-01
16	LINE ROLLER	CH004-03	45	SCREW - MAIN SHAFT	RQ100-01
17	BALL BEARING - LINE ROLLER	GH202-01	46	BODY COVER SCREW KIT	AT4057-02
18	WASHER - LINE ROLLER	DH102-01		46A - SCRATCH PROTECT WASHER (4)	N/A
19	LINE ROLLER COLLAR	CH102-01		46B - BODY COVER SCREW (4)	N/A
20	ARM LEVER ASSEMBLY	BT407-04	47	BODY COVER	BT023-52
21	WASHER - SCRATCH PROTECTION	PAA065-01	48	BALL BEARING - BODY	BT157-01
22	SCREW - LINE SLIDER	AQ108-01	49	HANDLE ASSEMBLY	RAA318-51