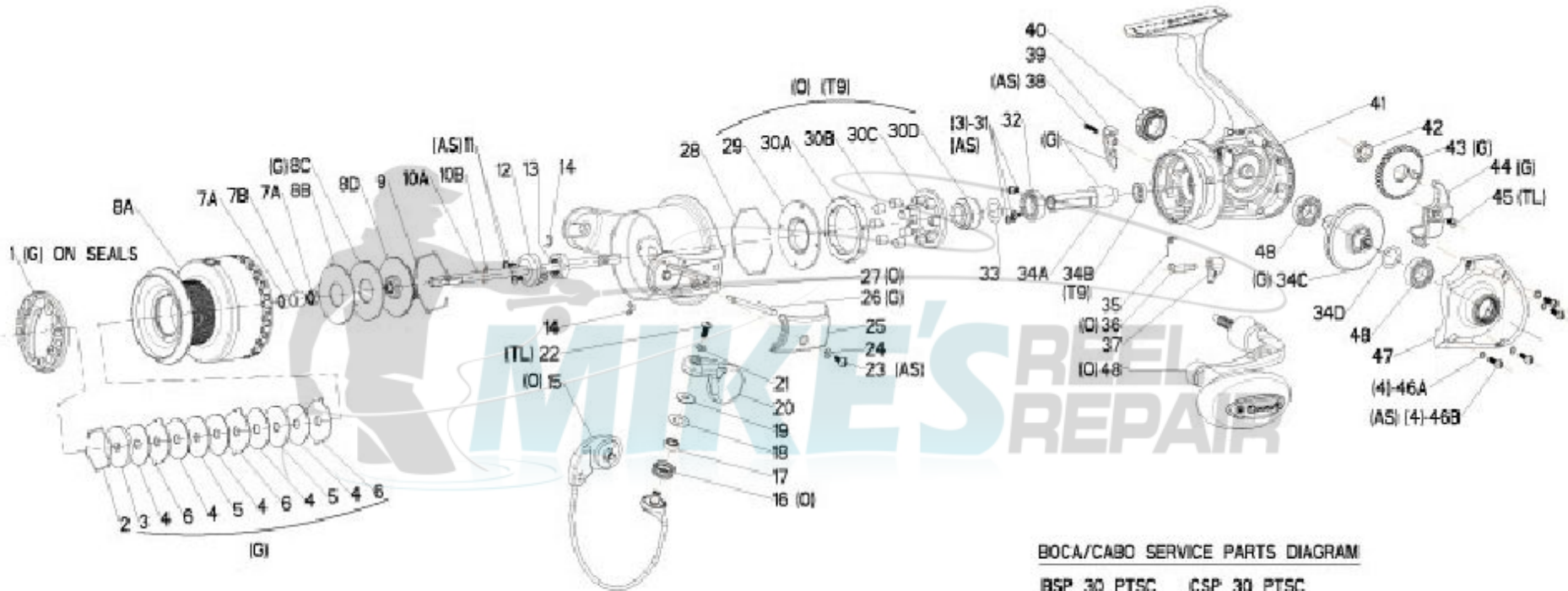


QUANTUM[®]

CSP40PTSC



BOCA/CABO SERVICE PARTS DIAGRAM

BSP 30 PTSC	CSP 30 PTSC
BSP 40 PTSC	CSP 40 PTSC
BSP 50 PTSC	CSP 50 PTSC
BSP 60 PTSC	CSP 60 PTSC
BSP 80 PTSC	CSP 80 PTSC

(OI) : OIL - HOT SAUCE
 (GI) : GREASE - HOT SAUCE
 (ASI) : ANTI-SEIZE (ON SCREW THREADS)
 (TL) : THREAD LOCKING COMPOUND (ON SCREW THREADS)
 (IT9) : ANTI-CORROSION LUBRICANT

QUANTUM[®]

CSP40PTSC

Quantum CSP40PTsC Spinning Reel Part List

Key #	Description	Part No.	Key #	Description	Part No.
1	DRAG KNOB ASSEMBLY	AT332-51	24	WASHER - ARM LEVER COVER	SQ142-01
2	RETAINER CLIP	RQ038-01	25	ARM LEVER COVER	TQ087-01
3	DRAG WASHER "D" (QTY. 1)	SQ080-03	26	KICK LEVER	TQ019-01
4	DRAG WASHER "B" - FRICTION (QTY. 3)	RQ033-01	27	ROTOR ASSEMBLY	TQ309-04
5	DRAG WASHER "D" (QTY. 1)	RQ080-01	28	RETAINER CLIP - CLUTCH	PAA038-01
6	DRAG WASHER "A" (QTY. 2)	RQ081-01	29	SEAL - CLUTCH	PAA166-01
7	SPOOL BUSHING OR BEARING KIT	AT4027-51	30	CLUTCH ASSEMBLY KIT	PAA4363-01
	7A - SPOOL BUSHING OR BEARING (2)	N/A		30A - CLUTCH LOCK RING	N/A
	7B - SPOOL SPACER	N/A		30B - CLUTCH ROLLER (6)	N/A
8	SPOOL ASSEMBLY KIT	AT4321-77		30C - CLUTCH RETAINER	N/A
	8A - SPOOL ASSEMBLY			30D - CLUTCH SLEEVE	N/A
	2 - SPOOL RETAINER - TOP		31	SCREW (3)	TK057-01
	3 - DRAG WASHER "D" (1)		32	BALL BEARING - PINION	UK028-01
	4 - DRAG WASHER "B" (3) - FRICTION		33	WASHER - PINION	AT110-01
	5 - DRAG WASHER "D" (1)		34	GEAR KIT	SQ4011-02
	6 - DRAG WASHER "A" (2)			34A - PINION GEAR	N/A
	7 - SPOOL BUSHING OR BEARING KIT			34B - PINION BUSHING	N/A
	8C - SPOOL WASHER			34C - DRIVE GEAR ASSEMBLY	N/A
	8D - DRAG CLICK ASSEMBLY	AT459-01		34D - D.GEAR ADJUST WASHER	N/A
	9 - SPOOL RETAINER - BOTTOM		35	SPRING - ANTI-REVERSE	TK089-01
9	RETAINER CLIP	AT036-01	36	ACTUATOR - ANTI-REVERSE	BT090-01
10	MAIN SHAFT KIT	AT4015-02	37	LEVER - ANTI-REVERSE	RQ059-01
	10A - MAIN SHAFT	N/A	38	SCREW - TRIP RAMP	AT136-01
	10B - MAIN SHAFT PIN	N/A	39	TRIP RAMP	SQ243-01
11	SCREW - ROTOR NUT	RQ094-01	40	HANDLE CAP ASSEMBLY	AT373-51
12	MAIN SHAFT BUSHING	SQ214-01	41	BODY ASSEMBLY	AT301-53
13	NUT - ROTOR	TH006-01	42	O/S GEAR BUSHING OR BEARING	EH158-01
14	E-CLIP	GH034-01	43	GEAR - OSCILLATOR	TQ053-51
15	BAIL ASSEMBLY	AT347-02	44	OSCILLATOR SLIDER	SQ025-01
16	LINE ROLLER	CH004-03	45	SCREW - MAIN SHAFT	RQ100-01
17	BALL BEARING - LINE ROLLER	GH202-01	46	BODY COVER SCREW KIT	AT4057-01
18	WASHER - LINE ROLLER	DH102-01		46A - SCRATCH PROTECT WASHER (3)	N/A
19	LINE ROLLER COLLAR	CH102-01		46B - BODY COVER SCREW (3)	N/A
20	ARM LEVER ASSEMBLY	SQ307-05	47	BODY COVER	SQ023-06
21	WASHER - SCRATCH PROTECTION	PAA065-01	48	BALL BEARING - BODY	BL157-01
22	SCREW - LINE SLIDER	AQ108-01	49	HANDLE ASSEMBLY	PAA318-51
23	SCREW - ARM LEVER COVER	GU077-02			