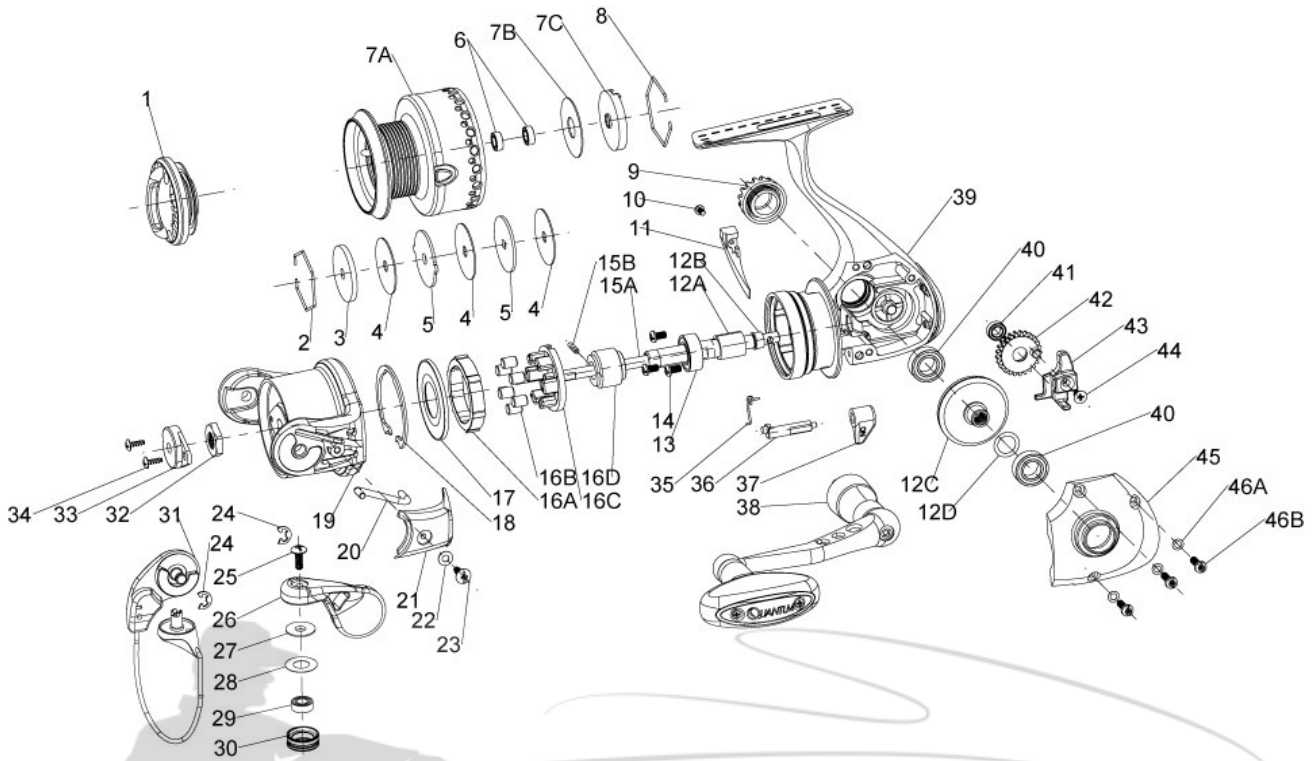


# QUANTUM®

## Cabo CSP20PTsB



Quantum CSP20PTsB Spinning Reel Part List

Key #	Description	Part No.	Key #	Description	Part No.
1	DRAG KNOB ASSEMBLY	FT332-51	17	CLUTCH SEAL ASSEMBLY	TK166-01
2	SPOOL RETAINER - TOP	RQ038-01	18	RETAINER RING - CLUTCH SEAL	TK060-01
3	DRAG WASHER "C"	SQ080-02	19	ROTOR ASSEMBLY	RQ309-51
4	DRAG WASHER "B" - FRICTION	RQ033-01	20	KICK LEVER	RQ019-01
5	DRAG WASHER "D"	RQ081-01	21	ARM LEVER COVER	RQ087-01
6	SPOOL BUSHING OR BEARING KIT	EH158-01	22	ARM LEVER COVER WASHER	SQ142-01
7	SPOOL ASSEMBLY KIT	FT4321-51	23	A/L COVER SCREW	GU077-02
7A	SPOOL ASSEMBLY	N/A	24	E-CLIP - BAIL ASSEMBLY	GH034-01
2	SPOOL RETAINER - TOP	RQ038-02	25	SCREW - LINE SLIDER	AQ108-01
3	DRAG WASHER "C"	SQ080-02	26	ARM LEVER ASSEMBLY	RQ307-06
4	DRAG WASHER "B" - FRICTION	RQ033-01	27	LINE ROLLER COLLAR	CH102-01
5	DRAG WASHER "D"	RQ081-01	28	LINE ROLLER WASHER	DH102-01
6	SPOOL BUSHING OR BEARING KIT	EH158-01	29	LINE ROLLER BEARING	GH202-01
7B	SPOOL WASHER	AT039-01	30	LINE ROLLER	CH004-02
7C	DRAG CLICK ASSEMBLY	AT459-01	31	BAIL ASSEMBLY	FT347-01
8	SPOOL RETAINER - BOTTOM	AT036-01	32	ROTOR NUT	N/A
8	SPOOL RETAINER - BOTTOM	AT036-01	33	MAIN SHAFT BUSHING	TK214-01
9	HANDLE COVER - DUST CAP	AT373-51	34	ROTOR NUT LOCK SCREW	RQ094-01
10	TRIP RAMP SCREW	MT111-01	35	A/R CAM SPRING	TK089-01
11	TRIP RAMP	PG119-01	36	A/R CAM	TK090-01
12	GEAR KIT	N/A	37	A/R LEVER	RQ059-01
12A	PINION GEAR	N/A	38	HANDLE ASSY	FT318-51
12B	PINION BUSHING	N/A	39	BODY ASSEMBLY	N/A
12C	DRIVE GEAR ASSEMBLY	N/A	40	BODY BALL BEARING	CH028-01
12D	D.GEAR ADJUST WASHER	N/A	41	O/S GEAR BUSHING OR BEARING	EH158-01
13	PINION BALL BEARING	BH028-01	42	O/S GEAR	RQ053-51
14	SCREW (3)	TK057-01	43	O/S SLIDER	RQ025-01
15	MAIN SHAFT KIT	N/A	44	MAIN SHAFT SCREW	RQ100-01
15A	MAIN SHAFT	N/A	45	BODY COVER	N/A
15B	MAIN SHAFT PIN	N/A	46	BODY COVER SCREW KIT	RQ4057-01
16	CLUTCH ASSEMBLY KIT	TK4363-02	46A	SCRATCH PROTECT WASHER	RQ142-01
16A	CLUTCH LOCK RING	TK063-01	46B	BODY COVER SCREW	RQ057-01
16B	CLUTCH ROLLER	TK165-01			
16C	CLUTCH RETAINER	TK040-02			
16D	CLUTCH SLEEVE	SK139-02			