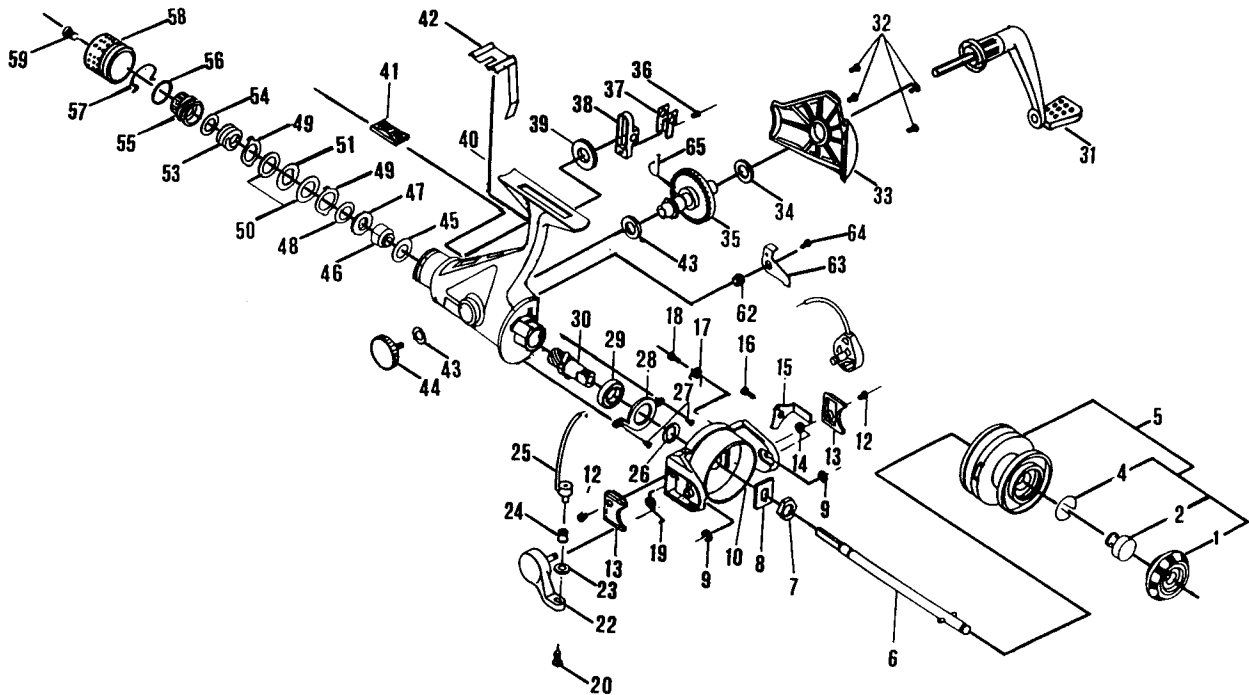


# QUANTUM CS20



Key No.	Part No.	Description	Price	Key No.	Part No.	Description	Price
1	YQ032-2	Spool Cap	1.55	34	YQ157-2	Drive Gear Bushing	1.13
2	YQ402-2	Spool Release Button	1.24	35	YQ012-2	Drive Gear	3.14
4	YQ038-2	Spool Locking Spring	1.13	36	YQ081-2	Holder Screw	.62
5	YQ321-2	Spool	4.24	37	YQ059-2	Lever Wind Hold	1.13
6	YQ015-2	Main Shaft	1.70	38	YQ084-2	Lever Wind Bracket	1.24
7	YQ006-2	Pickup Housing Nut	.93	39	YQ085-2	Lever Wind Gear	1.49
8	YQ105-2	Pickup Housing Washer	1.13	40	YQ001-2	Frame	6.95
9	YQ034-2	Retaining Ring	.62	41	YQ065-2	Push Button	1.24
10	YQ009-2	Pickup Housing	7.42	42	YQ068-2	Push Button Spring	1.13
12	YQ077-2	Bracket Cover Screw	.62	43	YQ157-2	Drive Gear Bushing	1.13
13	YQ087-2	Bracket Cover	1.03	44	YQ073-2	Crank Locking Screw	1.55
14	YQ203-2	Trip Lever Washer	.93	45	YQ033-2	Front Drag Washer	.93
15	YQ115-2	Trip Lever	1.03	46	YQ027-2	Drag Stem	1.13
16	YQ078-2	Trip Lever Screw	.62	47	YQ027-2	Click Ratchet	1.13
17	YQ049-2	Trip Lever Spring	.92	48	YQ029-2	Drag Washer	.93
18	YQ079-2	Trip Spring Screw	.62	49	YQ046-2	Eared Drag Washer	1.03
19	YQ022-2	Trip Spring	.93	50	YQ031-2	Drag Washer	.93
20	YQ108-2	Line Roller Screw	1.49	51	YQ030-2	Keyed Drag Washer	.93
22	YQ007-2	Bail Bracket	1.60	53	YQ029-2	Drag Spring	.93
23	YQ017-2	Line Roller Washer	1.13	54	YQ026-2	Drag Spring Washer	.93
24	YQ004-2	Line Roller	1.70	55	YQ050-2	Drag Insert	1.55
25	YQ347-2	Bail Wire	2.68	56	YQ037-2	Wire Washer	1.03
26	YQ125-2	Pinion Washer	.62	57	YQ036-2	Wire Spring	.93
27	YQ080-2	Ball Race Retainer Screw	.62	58	YQ332-2	Drag Knob	1.49
28	YQ040-2	Ball Race Retainer	1.13	59	YQ101-2	Drag Screw	1.03
29	YQ028-2	Ball Race	3.35	62	YQ102-2	N-R Pawl Washer	1.13
30	YQ011-2	Pinion	1.44	63	YQ103-2	N-R Pawl	1.13
31	YQ318-2	Crank Arm	5.46	64	YQ104-2	N-R Pawl Screw	.52
32	YQ057-2	Cover Plate Screw	1.13	65	YQ106-2	N-R Pawl Spring	.93
33	YQ023-2	Cover Plate	6.70				

Prices subject to change without notice. Prices do not include postage and handling.

**PLEASE ORDER BY PART NUMBER**

Rev. 6/95

Zebco Division Brunswick Corporation, Box 270, Tulsa, OK 74101 USA 918-836-5581

