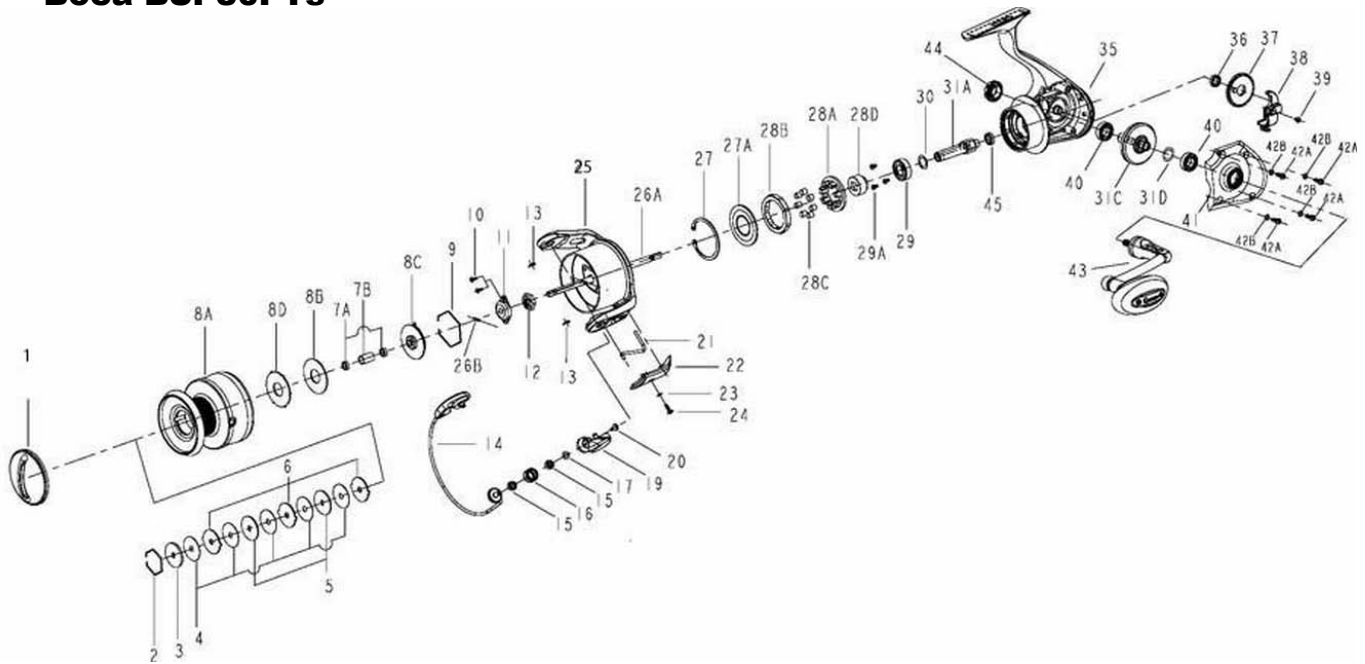


QUANTUM

Boca BSP80PTs



Boca BSP80PTs Part List

KEY #	DESCRIPTION	BOCA 80	KEY #	DESCRIPTION	BOCA 80
1	DRAG KNOB ASSEMBLY	DT332-01	23	ARM LEVER COVER WASHER	SQ142-01
2	SPOOL RETAINER - TOP	BT038-02	24	A/L COVER SCREW	GU077-02
3	DRAG WASHER "C"	CT080-01	25	ROTOR ASSEMBLY	DT309-01
4	DRAG WASHER "B"	BT033-01	26	MAIN SHAFT KIT	DT4015-01
5	DRAG WASHER "D"	BT080-01	26A	MAIN SHAFT	QTY - 1
6	DRAG WASHER "A"	BT081-01	26B	MAIN SHAFT PIN	QTY - 1
7	SPOOL BUSHING OR BEARING KIT	BT4160-01	27	RETAINER RING, CLUTCH SEAL	DT060-01
7A	SPOOL BUSHING OR BEARING	QTY - 2 BUS	27A	CLUTCH SEAL	DT166-01
7B	SPOOL SPACER	QTY - 1	28	CLUTCH ASSEMBLY KIT	DT4360-01
8	SPOOL ASSEMBLY KIT	ET4321-01	28A	CLUTCH RETAINER	QTY-1
8A	SPOOL ASSEMBLY	QTY - 1	28B	CLUTCH RING	QTY-1
8B	SPOOL WASHER, FIBER	QTY - 1	28C	CLUTCH ROLLERS	QTY - 7
8C	DRAG CLICK ASSEMBLY	QTY - 1	28D	CLUTCH SLEEVE	QTY - 1
8D	DRAG WASHER "E" KEYED TO S	QTY - 1	29	PINION BALL BEARING	DT157-01
9	SPOOL RETAINER - BOTTOM	BT038-01	29A	SCREW , BALL BEARING, 3 EA.	TK057-01
10	ROTOR NUT LOCK SCREW	RQ094-01	30	PINION GEAR WASHER	BT110-01
11	MAIN SHAFT BUSHING	DT214-01	31	GEAR KIT	DT4011-01
12	ROTOR NUT	BT006-01	31A	PINION GEAR	QTY - 1
13	E-CLIP - BAIL ASSEMBLY	GH034-01	31B	PINION BUSHING	N/A
14	BAIL ASSEMBLY	DT347-01	31C	DRIVE GEAR ASSEMBLY	QTY - 1
15	LINE ROLLER BEARING, 2 EA.	DT202-01	31D	D.GEAR ADJUST WASHE	QTY - 1
16	LINE ROLLER	TK004-01	35	BODY ASSEMBLY	ET301-02
17	LINE ROLLER WASHER	DT229-01	36	O/S GEAR BUSHING OR BEARIN	BT158-01
19	ARM LEVER ASSEMBLY	BT307-01	37	O/S GEAR	DT053-01
20	SCREW - LINE SLIDER	AQ108-01	38	O/S SLIDER	DT025-01
21	KICK LEVER	DT019-01	39	MAIN SHAFT SCREW	RQ100-01
22	ARM LEVER COVER	DT087-01	40	BODY/COVER BALL BEARING	BT157-01
			41	BODY COVER	ET023-01
			42	BODY COVER SCREW KIT	DT4057-01
			42A	BODY COVER SCREW	QTY - 4
			42B	SCRATCH PROTECT WAS	QTY - 4
			43	HANDLE ASSY	DT318-01
			44	HANDLE CAP	BT073-01
			45	PINION SMALL BALL BEARING	DT027-01