

QUANTUM®

BOCA

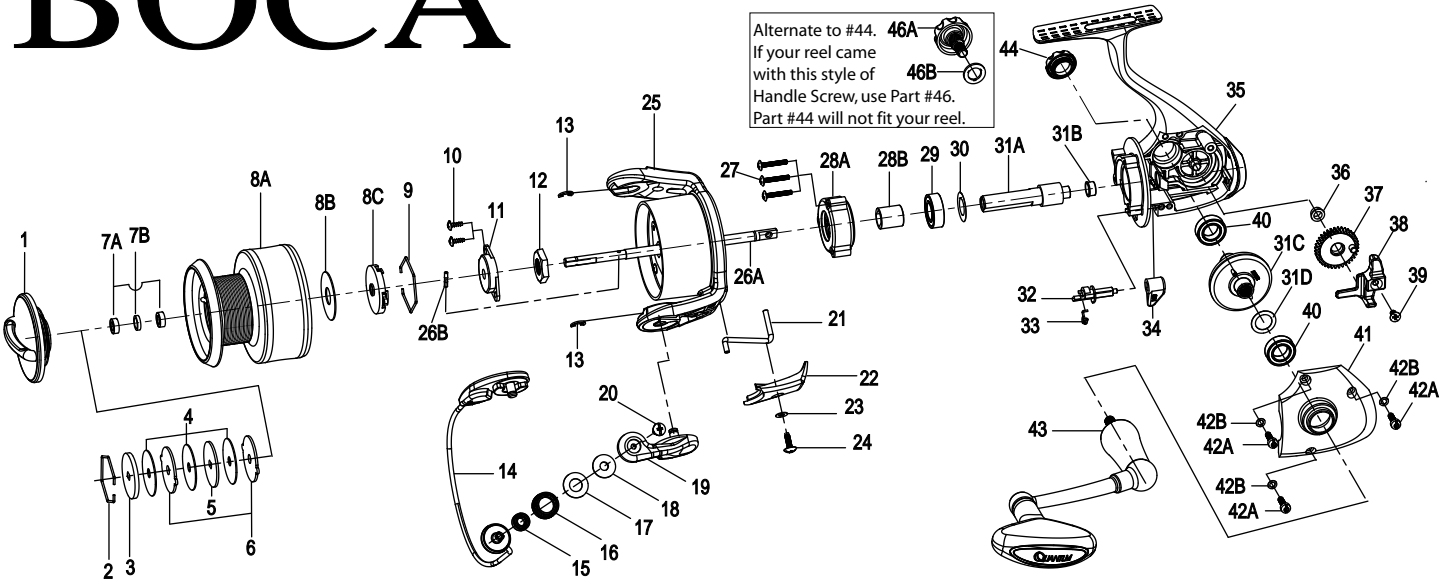
BSP30PTS & BSP40PTS

For parts and service

call toll free: 1-888-404-1119

www.mikesreelrepair.com

Alternate to #44. 46A
If your reel came
with this style of
Handle Screw, use Part #46.
Part #44 will not fit your reel.



KEY #	DESCRIPTION	BOCA 30	BOCA 40
1	DRAG KNOB ASSEMBLY	AT332-01	AT332-01
2	SPOOL RETAINER - TOP	RQ038-02	RQ038-02
3	DRAG WASHER "D"	SQ080-02	SQ080-02
4	DRAG WASHER "B"	RQ033-01	RQ033-01
5	DRAG WASHER "D"	RQ080-01	RQ080-01
6	DRAG WASHER "A"	RQ081-01	RQ081-01
7	SPOOL BUSHING OR BEARING KIT	AT4160-01	AT4160-01
7A	- SPOOL BUSHING OR BEARING	QTY - 2	QTY - 2
7B	- SPOOL SPACER	QTY - 1	QTY - 1
8	SPOOL ASSEMBLY KIT	AT4321-01	AT4321-51
8A	- SPOOL ASSEMBLY	QTY - 1	QTY - 1
2	- SPOOL RETAINER - TOP	QTY - 1	QTY - 1
3	- DRAG WASHER "D"	QTY - 1	QTY - 1
4	- DRAG WASHER "B"	QTY - 3	QTY - 3
5	- DRAG WASHER "D"	QTY - 1	QTY - 1
6	- DRAG WASHER "A"	QTY - 2	QTY - 2
7	- SPOOL BUSHING OR BEARING KIT	QTY - 1	QTY - 1
8B	- SPOOL WASHER	QTY - 1	QTY - 1
8C	- DRAG CLICK ASSEMBLY	QTY - 1	QTY - 1
8D	- DRAG WASHER "E"	N/A	N/A
9	- SPOOL RETAINER - BOTTOM	QTY - 1	QTY - 1
9	SPOOL RETAINER - BOTTOM	CH038-02	CH038-02
10	ROTOR NUT LOCK SCREW	RQ094-01	RQ094-01
11	MAIN SHAFT BUSHING	SQ214-01	SQ214-01
12	ROTOR NUT	TH006-01	TH006-01
13	E-CLIP - BAIL ASSEMBLY	GH034-01	GH034-01
14	BAIL ASSEMBLY	AT347-01	AT347-01
15	LINE ROLLER BEARING	GH202-01	GH202-01
16	LINE ROLLER	CH004-02	CH004-02
17	LINE ROLLER WASHER	DH102-01	DH102-01
18	LINE ROLLER COLLAR	CH102-01	CH102-01
19	ARM LEVER ASSEMBLY	SQ307-04	SQ307-04
20	SCREW - LINE SLIDER	AQ108-01	AQ108-01
21	KICK LEVER	TQ019-01	TQ019-01
22	ARM LEVER COVER	TQ087-01	TQ087-01
23	ARM LEVER COVER WASHER	SQ142-01	SQ142-01

KEY #	DESCRIPTION	BOCA 30	BOCA 40
24	A/L COVER SCREW	GU077-02	GU077-02
25	ROTOR ASSEMBLY	TQ309-03	TQ309-03
26	MAIN SHAFT KIT	AT4015-01	AT4015-01
26A	- MAIN SHAFT	QTY - 1	QTY - 1
26B	- MAIN SHAFT PIN	QTY - 1	QTY - 1
27	SCREW - CLUTCH	AT041-01	AT041-01
28	CLUTCH ASSEMBLY KIT	BT4360-01	BT4360-01
28A	- CLUTCH ASSEMBLY	QTY - 1	QTY - 1
28B	- CLUTCH SLEEVE	QTY - 1	QTY - 1
29	PINION BALL BEARING	UK028-01	UK028-01
30	PINION GEAR WASHER	AT110-01	AT110-01
31	GEAR KIT	SQ4011-01	SQ4011-01
31A	- PINION GEAR	QTY - 1	QTY - 1
31B	- PINION BUSHING	QTY - 1	QTY - 1
31C	- DRIVE GEAR ASSEMBLY	QTY - 1	QTY - 1
31D	- D.GEAR ADJUST WASHER	QTY - 1	QTY - 1
32	A/R CAM	AT090-01	AT090-01
33	A/R CAM SPRING	RQ089-01	RQ089-01
34	A/R LEVER	RQ059-01	RQ059-01
35	BODY ASSEMBLY	AT301-02	AT301-01
36	O/S GEAR BUSHING OR BEARING	RQ158-01	RQ158-01
37	O/S GEAR	TQ053-01	TQ053-01
38	O/S SLIDER	SQ025-01	SQ025-01
39	MAIN SHAFT SCREW	RQ100-01	RQ100-01
40	BODY BALL BEARING	BL157-01	BL157-01
41	BODY COVER	SQ023-07	SQ023-05
42	BODY COVER SCREW KIT	AT4057-01	AT4057-01
42A	- BODY COVER SCREW	QTY - 3	QTY - 3
42B	- SCRATCH PROTECT WASHER	QTY - 3	QTY - 3
43	HANDLE ASSY	AT318-01	AT318-01
44	HANDLE COVER - DUST CAP	AT073-26	AT073-26
45	PINION SMALL BALL BEARING	N/A	N/A
46	HANDLE CAP SCREW KIT (ALTERNATE)	AT4073-01	AT4073-01
46A	- HANDLE CAP SCREW	QTY - 1	QTY - 1
46B	- H / CAP SCREW WASHER	QTY - 1	QTY - 1