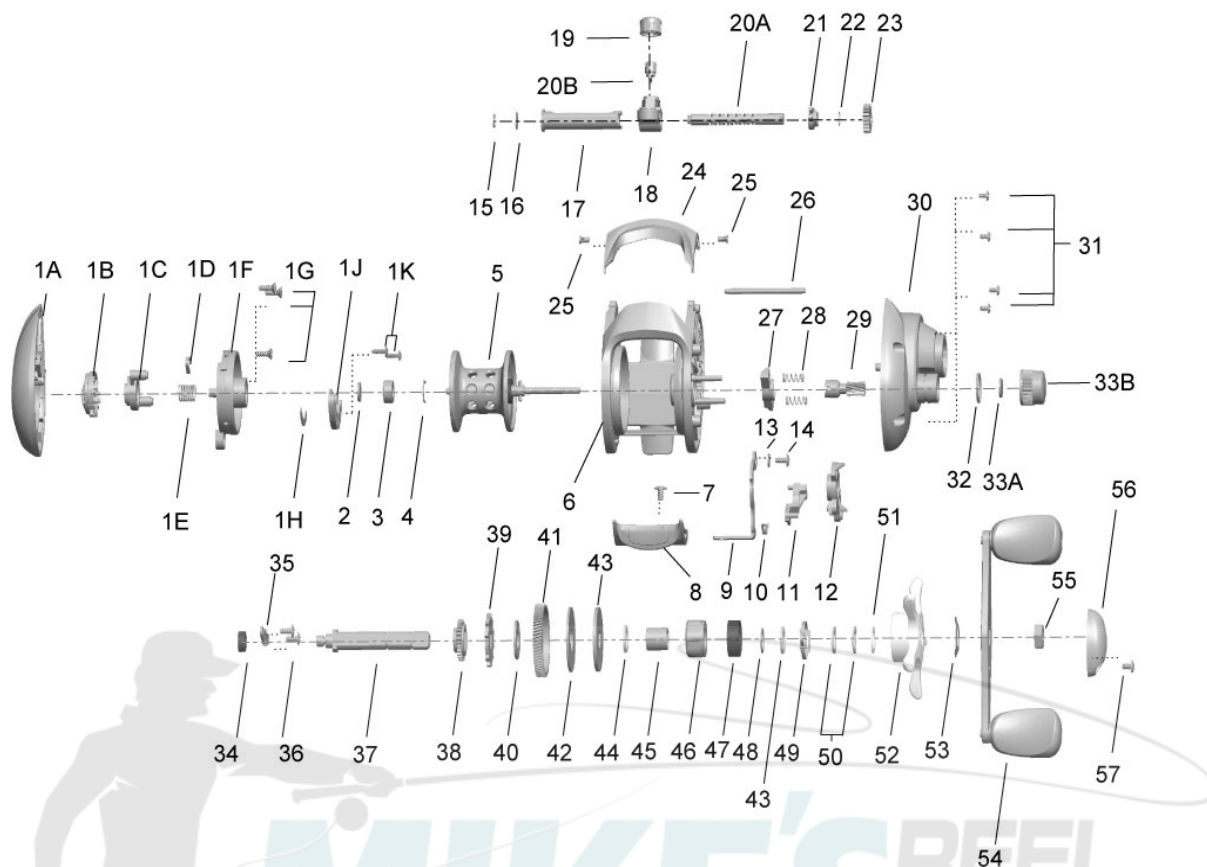


QUANTUM

Aura

AU360CX



Quantum AU360CX Baitcast Reel Part List

| Key # | Description | Key # | Description | Key # | Description |
|-------|--------------------------------------|-----------|-------------|--|-------------|
| 1 | Palm Side Cover Kit | CB4023-01 | 23 | O/S Pinion Gear (Worm Shaft spur gear) | CB085-01 |
| 1A | Palm Side Cover Assembly | N/A | 24 | Front Support | CB099-01 |
| 1B | Cast Control Dial | N/A | 25 | Front Support Screw | DB107-01 |
| 1C | Slide Cam - "A" | N/A | 26 | Stabilizer Bar (Pillar) | CB061-01 |
| 1D | Locking Lever Spring | N/A | 27 | Pinion Yolk | CB025-01 |
| 1E | Magnet Plate Spring | N/A | 28 | Pinion Yoke Spring | CB040-01 |
| 1F | Spool Cover | N/A | 29 | Pinion Gear | CB011-01 |
| 1G | Spool Cover Screw | N/A | 30 | Gear Side Cover | CB024-01 |
| 1H | Magnet Pole Plate | N/A | 31 | Gear Side Cover Screw | CB107-01 |
| 1J | Magnet Plate | N/A | 32 | O-Ring - Tension Knob | CB101-01 |
| 1K | Screw - Magnet Plate | N/A | 33 | Tension Knob Assembly | CB4033-02 |
| 2 | Spool Shaft Washer (Palm Side) | N/A | 33A | Washer - Spool Tension | N/A |
| 3 | Spool Shaft Ball Bearing (Palm Side) | N/A | 33B | Tension Knob | N/A |
| 4 | Retainer Ring | MW080-01 | 34 | Bearing - Crank Shaft (Frame end) | SW017-01 |
| 2 | Spool Shaft Washer (Palm Side) | DB032-04 | 35 | Retainer - Crank Shaft | CB002-01 |
| 3 | Spool Shaft Ball Bearing (Palm Side) | QV017-01 | 36 | Screw - Crank Shaft Retainer | CB125-02 |
| 4 | Retainer Ring | MW080-01 | 37 | Crank Shaft | CB008-01 |
| 5 | Spool Assembly | CB321-03 | 38 | O/S Drive Gear | CB112-01 |
| 6 | Frame | N/A | 39 | Trip Ratchet | CB083-01 |
| 7 | Release Slider Screw | CB125-01 | 40 | Washer - Trip Ratchet | CB111-01 |
| 8 | Thumb Bar | CB142-01 | 41 | Drive Gear | CB012-01 |
| 9 | Release Slider Link | CB036-01 | 42 | Drag Disc | CB059-01 |
| 10 | Kick Lever Spring | CB097-01 | 43 | Drag Key Washer | CB045-01 |
| 11 | Kick Lever | CB077-01 | 44 | Ratchet Washer | WW111 |
| 12 | Release Slider | CB039-01 | 45 | Sleeve - One Way Clutch | CB052-01 |
| 13 | Release Slider Screw Washer | DB035-01 | 46 | One Way Bearing | CB063-01 |
| 14 | Release Slider Screw | CB125-02 | 47 | Bearing | UK028-01 |
| 15 | E-Clip (Worm Shaft Palm Side) | CB090-01 | 48 | Clutch Sleeve Washer | CB032-01 |
| 16 | Worm Shaft Washer Palm Side | CB038-01 | 49 | Drag Click Spring Assembly | CB4114-01 |
| 17 | Worm Shaft Guide (Pipe) | CB016-01 | 50 | Star Drag Spring "D" Washer | JX046-01 |
| 18 | Line Guide Carrier | CB047-01 | 51 | Star Drag Washer | ZW032-01 |
| 19 | Screw - Line Guide Pawl | CB007-01 | 52 | Star Drag Assembly | CB355-01 |
| 20 | Worm Shaft Kit | CB4072-01 | 53 | Handle Washer | CB054-01 |
| 20A | Worm Shaft | N/A | 54 | Handle Assembly | CB318-01 |
| 20B | Line Guide Pawl | N/A | 55 | Handle Nut | CB003-01 |
| 21 | Bushing - Worm Shaft (Palm) | CB068-01 | 56 | Handle Nut Retainer | CB034-02 |
| 22 | Worm Shaft Washer Gear Side | CB035-01 | 57 | Handle Nut Retainer Screw | CB123-01 |