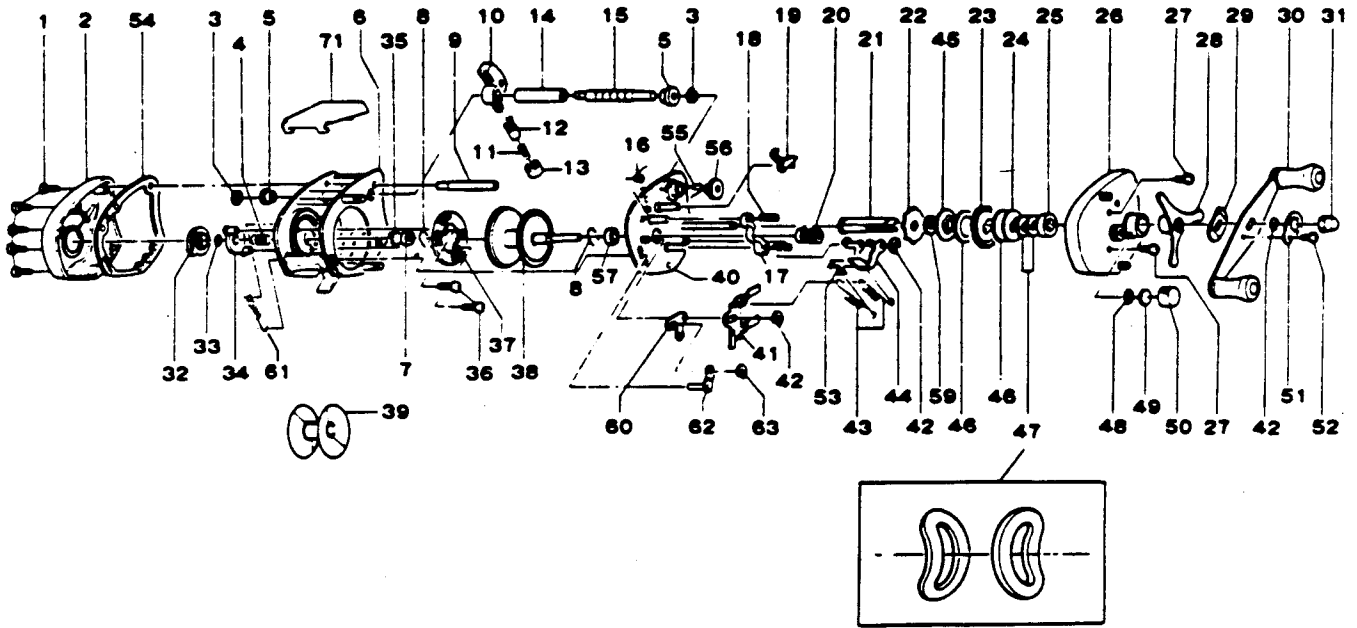


QUANTUM 621

DISCONTINUED



Key No.	Part No.	Description	Price	Key No.	Part No.	Description	Price
	PX4100	LEVEL WIND HOOD	4.85	32	NX4303	MAGNETIC CONTROL DIAL	1.23
	ZX009B	THUMB BAR	6.62	33	CX4250	O RING	.49
	ZX022	THUMB BAR SPRING	2.32	34	CX4261	MAGNET RET. SUPPORT	1.46
	ZX041	THUMB BAR PIN	2.76	35	CX4255	SPOOL TENSION SHIM A	.36
1	CX4102	LEFT SIDE PLATE SCREW	.36	36	CX4602	MAGNET RETAINER SCREW	.62
2	BW4101	LEFT SIDE PLATE	13.19	37	CX4257	MAGNET RETAINER	8.59
3	CX4152	WORM SHAFT RETAINER	.31	38	BW4251	SPOOL	14.42
4	CX4301	MAGNET RET. SPRING	.36	39	CX4260	U SPOOL CONVERTER	3.07
5	CX4156	WORM GUARD BUSHING	.62	40	ZX4351	SET PLATE	17.21
6	BW4051	FRAME	25.81	41	ZX4402	SPOOL RELEASE SLIDER	5.16
7	ZX4156	SPOOL SHAFT BUSHING (L)	2.00	42	CX4656	RETAINER CLIP	.36
8	CX4253	BEARING RETAINER	.36	43	CX4353	SET PLATE ACT. SPRING	.36
9	PX4159	FRAME POST - BLACK	1.84	44	ZX4503	SET PLATE ACTUATOR	2.00
10	CX4201-1	LINE GUIDE	4.00	45	PX4658-1	ANTI-REVERSE RATCHET	6.45
11	CX4203	LINE GUIDE PAWL SPRING	.36	46	CX4661	DRAG WASHER A	.36
12	CX4202	LINE GUIDE PAWL	2.21	47	CX4662	DRIVE SHAFT SPR. WSHR	.36
13	CX4204	PAWL CAP	.91	48	CX4258	O RING	.36
14	CX4158	WORM SHAFT GUARD-BLK	2.64	49	CX4302	SPOOL TENSION SHIM B	.36
15	CX4151-1	WORM SHAFT W/O GEAR	3.69	50	CX4259	SPOOL TENSION KNOB	1.84
16	CX4502	SPOOL RELEASE SPRING	.36	51	CX4703	HANDLE NUT LOCK	.62
17	CX4401	PINION YOKE	.62	52	CX4704	HANDLE NUT LOCK SCREW	.36
18	CX4403	PINION YOKE SPRING	.36	53	ZX4501	SET PLATE ACTUATOR A	2.00
19	CX4452-1	DOUBLE ANTI-REV PAWL	3.38	54	BW4107	LEFT SIDE PLATE SPACER	3.35
20	BW4256	PINION GEAR	18.36	55	CX4153	GEAR RETAINING CLIP	.31
21	ZX4652	DRIVE SHAFT	6.89	56	BW4150	WORM SHAFT GEAR	5.74
22	CX4451-1	RELEASE RATCHET	1.23	57	ZX4157	SPOOL SHAFT BUSHING (R)	2.00
23	BW4651	DRIVE GEAR	13.48	58	PX4664	DRAG WASHER C	.56
24	CX4659	DRAG WASHER B	.62	59	CX4450	A/R RATCHET WASHER	.36
25	CX4254	DRIVE SHFT BUSH	.62	60	CX4406	THUMB BAR CAM	2.09
26	BW4103	RIGHT SIDE PLATE	19.46	61	ZX4404	THUMB BAR SHAFT	2.00
27	CX4352	RIGHT SIDE COVER SCREW	.36	62	ZX4405	THUMB BAR LINK	1.43
28	CX4663	STAR DRAG	4.90	63	ZX4657	RETAINER CLIP	.69
29	CX4660	HANDLE WASHER	.36	71	ZX009B	THUMB BAR	6.62
30	CX4701	HANDLE	5.53	72	ZX041	THUMB BAR PIN	2.76
31	CX4702	HANDLE NUT	.91	73	ZX022	THUMB BAR SPRING	2.32

Prices subject to change without notice. Prices do not include postage and handling. Some parts may not be available.

PLEASE ORDER BY PART NUMBER

Rev. 5/93

Zebco Division Brunswick Corporation, Box 270, Tulsa, OK 74101 USA 918-836-5581

