

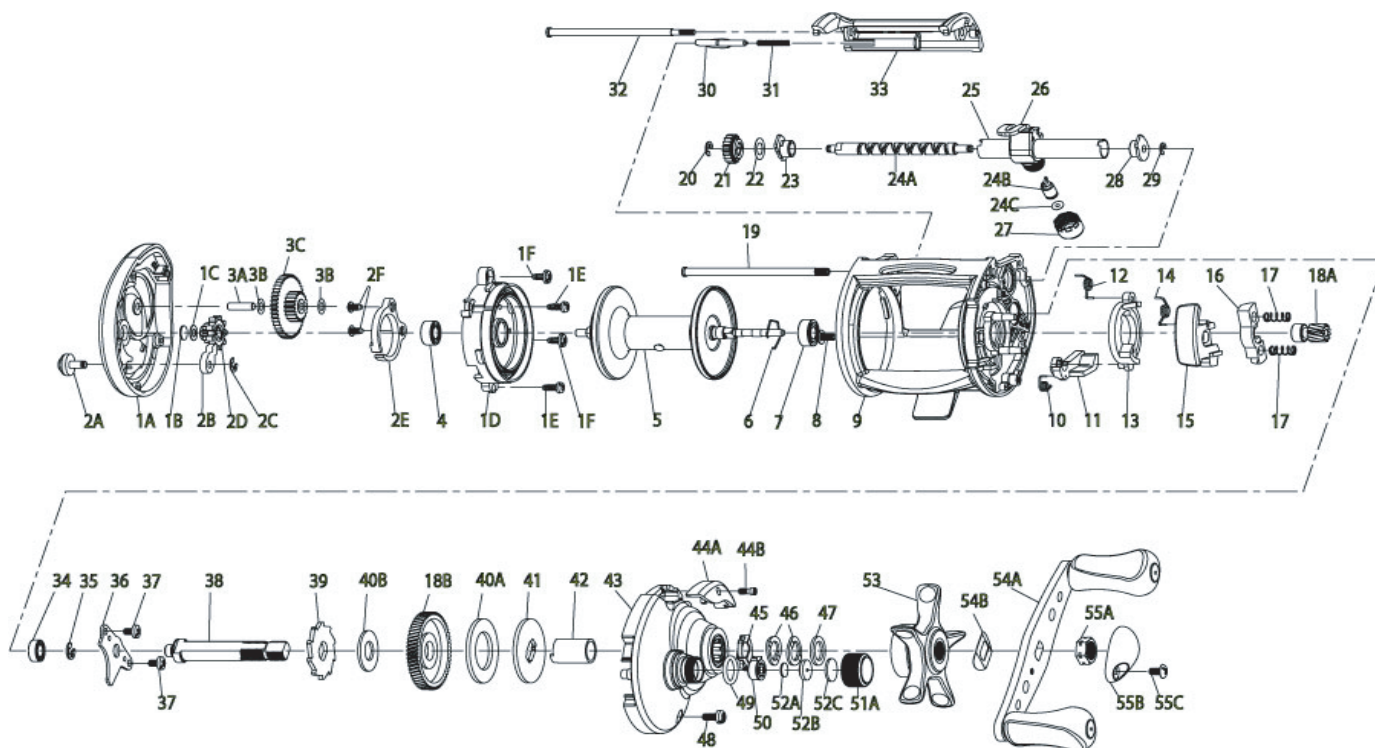
For parts and service

call toll free: 1-888-404-1119

www.mikesreelrepair.com

QUANTUM

1430MGC



Quantum Classic Right & Left Hand 1430MGC/1431MGC Bait Cast Reel Part List							
Key #	Description	Part No.		Key #	Description	Part No.	
		1430MGC	1431MGC			1430MGC	1431MGC
1	Palm Side Cover Kit include 1A - Palm Side Covoer Assembly 1B - Spool Shaft Washer 1C - O/S Drive Gear Washer 1D - Spool Cover Assembly 1E - Spool Cover Screw - "B" 1F - Spool Cover Screw - "A"	PX4023-01	QX4023-01	25	Worm Shaft Guide	PX016-01	PX016-01
	2 - Bait Clicker Spring Kit			26	Line Guide Carrier	GX047-01	GX047-01
	3 - Idle Gear Kit			27	Line Guide Carrier Screw	ZW007-02	ZW007-02
	4 - Palm Side Spool Sahft Bearing			28	Gear Side Worm Shaft Bushing	GX067-01	GX067-01
2	Bait Clicker Spring Kit include	PX4109-02	QX4109-02	29	E-Clip	NX092-01	NX092-01
	2A - Bait Click Lever			30	Palm Side Cover Locking Lever	GX119-01	MX119-01
	2B - Bait Click Pawl			31	Palm Side Cover Locking Spring	ZW096-01	ZW096-01
	2C - E-Clip			32	Stablizer Bar - "A"	PX061-01	PX061-01
	2D - O/S Drive Gear			33	Front Support	PX099-01	QX099-01
	2E - Bait Clicker Spring			34	Crank Shaft Bearing - Lower	SW017-01	SW017-01
	2F - Bait Clicker Spring Screw			35	E-Clip	QW120-01	QW120-01
3	Idle Gear Kit include	PX4127-01	PX4127-01	36	Crank Shaft Retainer	GX002-01	GX002-01
	3A - Idle Gear Post			37	Crank Sahft Retainer Screw	JX107-01	JX107-01
	3B - Idle Gear Washer			38	Crank Shaft	GX008-01	GX008-02
	3C - Idle Gear			39	Trip Ratchet	EX083-01	EX083-01
4	Palm Side Spool Shaft Bearing	JX106-01	JX106-01	40	Drag Disc Kit include	HV4059-01	HV4059-01
5	Spool Assembly	PX321-01	PX321-02	40A	- Drag Disc		
6	Clip Ring	EX080-01	EX080-01	40B	- Trip Ratchet Washer		
7	Gear Side Spool Shaft Bearing	EX017-02	EX017-02	41	Drag Key Washer	GX045-01	GX045-01
8	Gear Side Cover Screw -A	QW123-01	QW123-01	42	One Way Bearing Sleeve	GX052-01	GX052-01
9	Frame	PX001-01	QX001-01	43	Gear Side Cover Assembly	GX324-03	MX324-03
10	Kick Lever Spring	GX097-01	MX097-01	44	Oil Port Cap Kit include	GX4150-01	MX4150-01
11	Kick Lever	GX077-01	MX077-01	44A	- Oil Port Cap		
12	Release Slider Spring	GX104-01	MX104-01	44B	- Oil Port Cap Screw		
13	Release Slider	GX039-01	MX039-01	45	Drag Click Spring Assembly	GX4114	GX4114
14	Push Button Spring	GX089-01	MX089-01	46	Spring "D" Washer	JX046-01	JX046-01
15	Push Button	GX062-01	MX062-01	47	Star Drag Washer	ZW032-02	ZW032-02
16	Pinion Yoke	GX025-01	MX025-01	48	Gear Side Cover Screw - B	GX107-01	GX107-01
17	Yoke Spring	GX040-01	GX040-01	49	Tension Knob O-Ring	QW101-01	QW101-01
18	Gear Kit include	GX4011-01	GX4011-02	50	Tension Knob Bushing	QW117-01	QW117-01
	18A - Pinion Gear Assembly			51	Tension Knob Kit include	HV4033-01	HV4033-01
	18B - Drive Gear			51A	- Spool Tension Knob		
19	Stablizer Bar - "B"	QX061-01	QX061-01	52	- Spool Tension Washer Kit	QW4032-01	QW4032-01
20	E-Clip	NX090-01	NX090-01	52A	- Spool Tension Washer		
21	O/S Pinion Gear	HV085-01	HV085-01	52B	- Spool Tension Collar		
22	Worm Shaft Washer	EX035-01	EX035-01	52C	- Spool Cushion Washer		
23	Palm Side Worm Shaft Bushing	PX068-01	PX068-01	53	Star Dag	GX055-01	GX055-02
24	Worm Shaft Kit Include	PX4072-01	PX4072-01	54	Handle Kit include	GX4018-01	GX4018-02
	24A - Worm Sahft			54A	- Handle Assembly		
	24B - Line Guide Pawl			54B	- Handle Washer		
	24C - Carrier Washer			55	- Handle Nut Kit		
				55A	- Handle Nut	QW4003-01	QW4003-02
				55B	- Handle Nut Cap		
				55C	- Handle Nut Cap Screw		