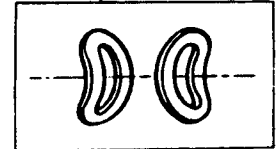
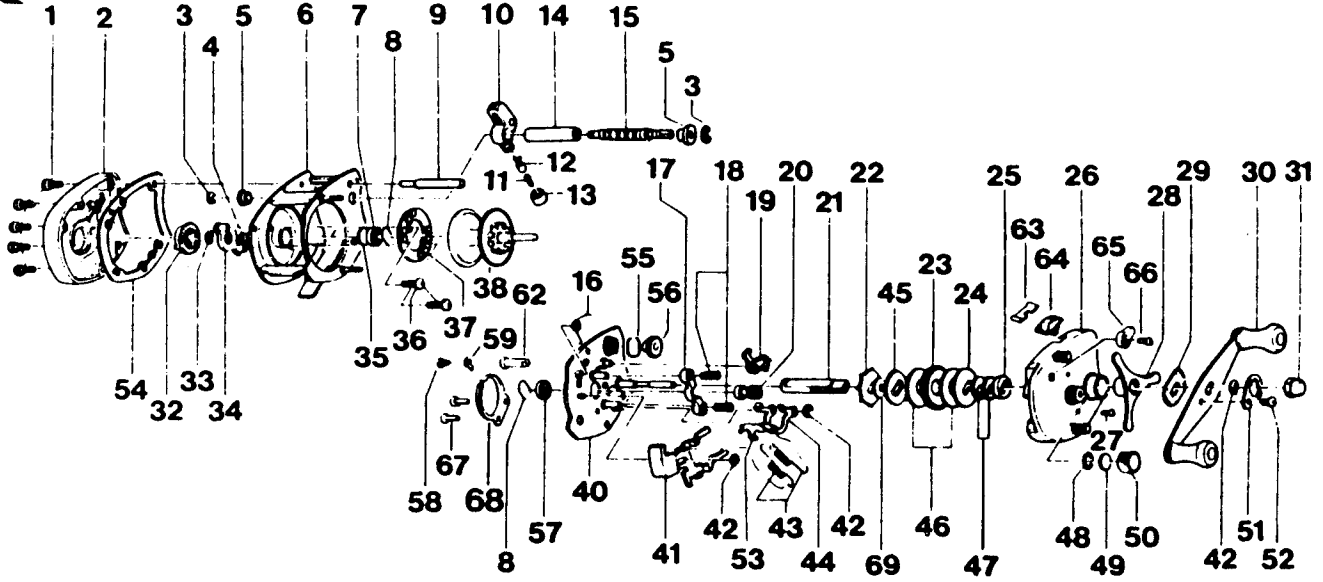


QUANTUM 1421MG



Key No.	Part No.	Description	Price	Key No.	Part No.	Description	Price
1	LX4102	Right Side Plate Screw	.99	37	CX4257	Magnet Retainer	8.59
2	LX4101-1	Right Side Plate	6.45	38	MX4251	Spool	13.35
3	CX4152	Worm Shaft Retainer	.31	40	MX310-1	Set Plate (incl. 16, 40, 4173 42(2), 44, 53)	18.73
4	CX4301	Magnet Retainer Spring	.36	41	LX4402-1	Spool Release Button	2.64
5	CX4156	Worm Guard Bushing	.62	42	CX4656	Retainer Clip	.36
6	MX4051-1	Frame	23.32	43	FX4353	Set Plate Actuator Spring	.91
7	CX4252	Spool Shaft Bearing	7.99	44	LX4503	Set Plate Actuator B	1.84
8	CX4253	Bearing Retainer	.36	45	LX4658	(Anti-Reverse Ratchet)	3.86
9	EX4159	Frame Post - Silver	1.53	46	CX4661-1	Drag Washer A	.36
10	NX4201	Line Guide	7.55	47	CX4662	Drive Shaft Spring Washer	.36
11	CX4203	Line Guide Pawl Spring	.36	48	CX4258	O Ring	.36
12	CX4202	Line Guide Pawl	2.21	49	CX4302	Spool Tension Shim B	.36
13	CX4204	Pawl Cap	.91	50	NX4259	Spool Tension Knob	2.40
14	EX4158	Worm Shaft Guard - Silver	2.64	51	LX4703	Handle Nut Lock	1.23
15	FX4151	Worm Shaft	5.69	52	LX4704	Handle Nut Lock Screw	.49
16	CX4502	Spool Release Spring	.36	53	LX4501	Set Plate Actuator A	1.23
17	CX4401	Pinion Yoke	.62	54	NX4107	Right Side Plate Spacer	1.84
18	CX4403	Pinion Yoke Spring	.36	55	CX4153	Gear Retaining Clip	.31
19	LX4452	Anti-Reverse Pawl	1.84	56	LX4150	Worm Shaft Gear	2.88
20	LX4256	Pinion Gear	9.21	57	CX4252	Spool Shaft Bearing	7.99
21	LX4652	Drive Shaft	4.90	58	FX4552	Click Pawl Screw	1.23
22	LX4451	Release Ratchet	1.23	59	FX4551-1	Click Pawl	1.41
23	LX4651	Drive Gear	6.68	62	MX4557-1	Click Cam	2.64
24	CX4659	Drag Washer B	.62	63	FX4455	Anti-Reverse Lever Plate	.91
25	CX4254	Drive Shaft Bushing	.62	64	FX4456-1	Anti-Reverse Lever	.91
26	MX324-1	Left Side Plate	13.82	65	FX4558-1	Bait Click Lever	1.46
27	LX4352	Left Side Cover Screw	.42	66	FX4559-1	Bait Click Lever Screw	.62
28	LX4663-1	Star Drag	6.14	67	MX4561	Click Spring Screw	1.23
29	CX4660	Handle Washer	.36	68	MX4560	Click Spring	.87
30	NX4701	Handle	6.14	69	CX4450	Anti-Reverse Ratchet Washer	.36
31	LX4702-2	Handle Nut	1.53		Not Shown:		
32	CX4303	Magnetic Control Dial	.99		T130	Wrench	2.59
33	CX4250	O Ring	.49		CX4000-1	Spare Parts Kit w/Wrench (incl. 1, 8, 27, 35, 49, 52)	3.69
34	CX4261	Magnet Retainer Support	1.46				
35	CX4255	Spool Tension Shim A	.36				
36	CX4602	Magnet Retainer Screw	.62				

Prices subject to change without notice. Prices do not include postage and handling.

PLEASE ORDER BY PART NUMBER

Rev. 5/93

Zebco Division Brunswick Corporation, Box 270, Tulsa, OK 74101 USA 918-836-5581

