

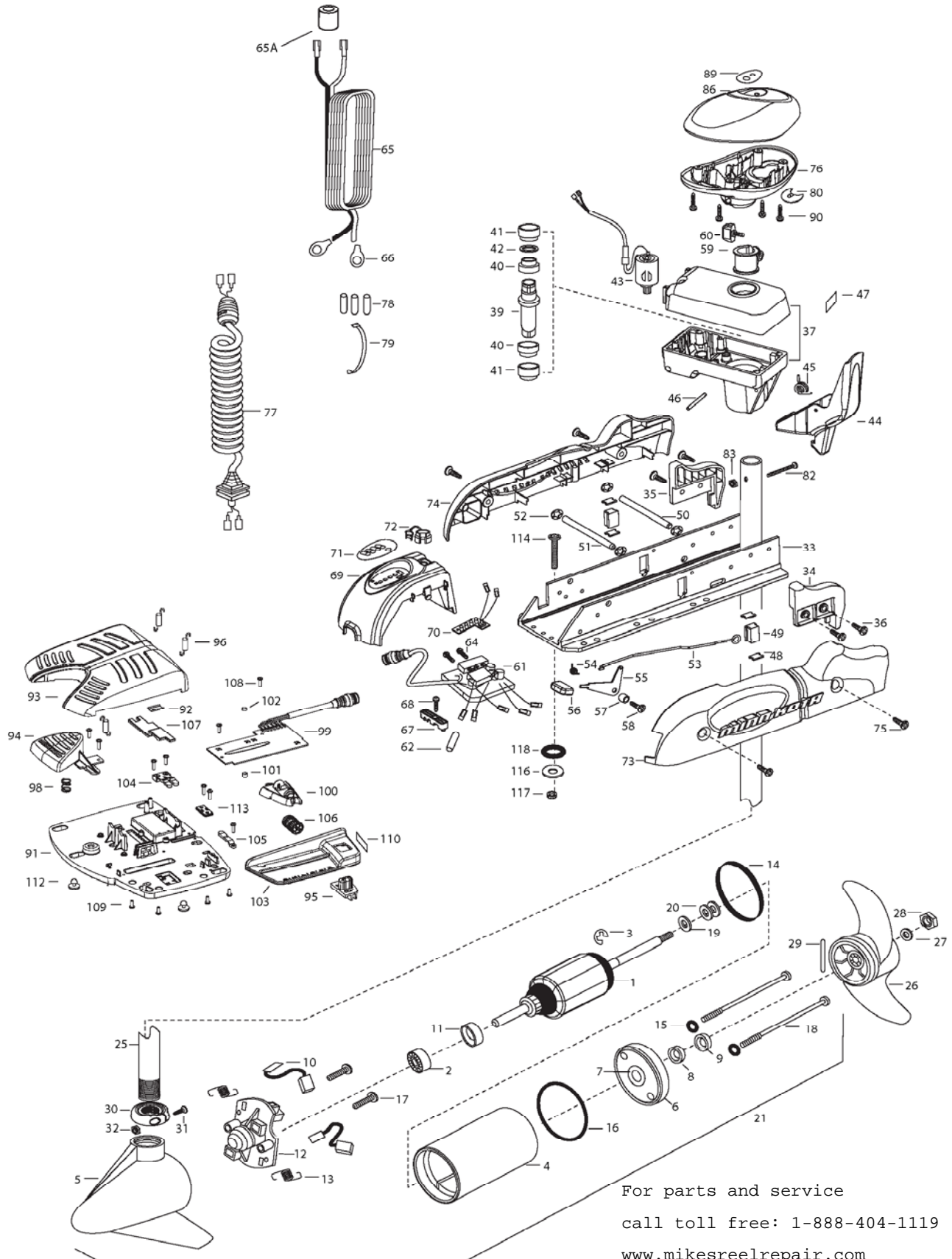
45PD V2
45 LBS THRUST
12 VOLT 42 AMPS
54" SHAFT

for use with "AH" serial numbers
3-year warranty from the date of purchase

For parts and service

call toll free: 1-888-404-1119

www.mikesreelrepair.com



1	2-100-116	ARMATURE ASSEMBLY 12V VARS TXT	43	2307050	MOTOR- DRIVE HOUSING HIGH SPD		
2	140-010	BALL BEARING	44	2307201	LATCH HANDLE PD/AP	82	2033400 SCREW-10-24 X 1-3/4 PPH Z/P
3	788-015	RETAINING RING	45	2302750	SPRING- LATCH TORSION PD/AP	83	2013110 NUT-HEX 10-24 ZCP
4	2-200-101	HOUSING ASSEMBLY CENTER 3.625 TXT	46	2302627	PIN- ROLL ZINC	86	2300237 CONTROL BOX COVER- POWERDRIVE
5	421-065	HOUSING BRUSH END 3.625 TXT	47	2305564	DECAL-STOW/DEPLOY	89	2315692 DECAL- COVER 45PD
6	2-400-101	PLAIN END HOUSING ASSEMBLY 3.625	48	2305110	PAD-PIVOT SUPT [4.EA]	90	2012100 SCREW-8-18 X 5/8 THD CUT [4.EA]
7	144-049	BEARING - FLANGE (SERVICE ONLY)	49	2305103	PIVOT PAD- NEW MTR'L [2.EA]	■	2994725 FOOT PEDAL ASSEMBLY
8	880-003	SEAL	50	2300500	PIN-LATCH	91	2304505 FOOT PEDAL BASE
9	880-006	SEAL WITH SHIELD	51	2300510	PIN-PIVOT	92	2308501 WEAR PLATE FOOT PDL
10	188-036	BRUSH ASSEMBLY [2.EA]	52	2013100	NUT-SPEED [4.EA]	93	2300255 FOOT PEDAL, CORDED UPPER
12	738-036	BRUSH PLATE W/HOLDER	53	2303612	ROD-RELEASE RT/AP S	94	2303723 BUTTON, MOMENTARY
13	975-040	SPRING - COMPRESSION [2.EA]	54	2302700	SPRING-RELEASE LEVER	95	2303722 BUTTON, MOM/CON
14	337-036	GASKET	55	2303710	LEVER-RELEASE	96	2302730 SPRING-LONG-UPPER PEDAL [3.EA]
15	701-008	O-RING, THRU-BOLT [2.EA]	56	2300101	RELEASE-KNOB	98	2302732 SPRING-LOWER PEDAL
16	701-081	O-RING	57	2301700	SPACER-RELEASE LEVER	99	2304052 CONTROL BOARD ASSEMBLY-FT PDL
17	830-007	SCREW-8-32 [2.EA]	58	2303430	SCREW-1/4-20 X 5/8	100	2308620 SLIDER, SPEED
18	830-042	THRU BOLT 8-32 X 8.96 [2. EA]	59	2031522	COLLAR- DRIVE (W/INSERT)	101	2308409 MAGNET, 1/4 X 1/4
19	990-067	WASHER- STEEL THRUST	60	2011365	SCREW-COLLAR/NEW KNOB	102	2308408 MAGNET, 1/4 X 1/8
20	990-070	WASHER - NYLATRON [2.EA]	61	2304046	CONTROL BOARD ASSEMBLY- 12V PD	103	2300252 COVER, SPEED SELECTOR
21	2097063	MOTOR ASSEMBLY 12V 3.625 48"	62	2355410	SHRINK TUBE-3/8 ODX2	104	2308606 SWITCH, DOUBLE FINGER
25	2032076	TUBE-CARBON COMPOSITE 54"	64	2332100	SCREW-8-32 X 3/8 [2.EA]	105	2308605 SWITCH, SINGLE FINGER
■	1378131	PROPELLER KIT	65	2266730	LEADWIRE IOGA 44" w/ plug	106	2307900 WHEEL, SPEED
26	2061160	PROPELLER W/WEDGE	65A	2307310	BEAD - FERRITE (CE MODELS ONLY)	107	2308625 SLIDER, STEERING
27	2151726	WASHER-5/16 SS	66	2020700	TERMINAL RING [2.EA]	108	2302100 SCREW-6-20 X 1/2 [9.EA]
28	2053101	NUT-PROP NYLOC	67	2321310	STRAIN RELIEF- BRACKET PD/AP	109	2332103 SCREW-6.20 X 3/8 [4.EA]
29	2092600	PIN-DRIVE	68	2303405	SCREW-1/4-20 X 5/8	110	2316600 DECAL, ON/OFF SWITCH
30	2301545	COLLAR- LATCH PD/AP	69	2306555	HOUSING- CENTER PD/AP	112	2994859 BAG ASSEMBLY- 4 RUBBER BUMPERS
31	2303434	SCREW- 8-32X5/8 MACH PHCR	70	2074070	BATTERY GAUGE - 12 VOLT	113	2302907 STRN RLF PD FP
32	2303112	NUT 8-32 NYLOC SS	71	2316605	DECAL, BATTERY GAUGE	■	2994864 BAG ASSEMBLY- (BOLT,NUT,WASHERS)
33	2301934	EXTRUSION- BASE MACHINED	72	2302935	STRAIN RELIEF-DR. HOUSING	*114	2263462 BOLT-MOUNTING-1/4X2 W/STG [6.EA]
34	2303932	MOTOR REST- RIGHT 3-5/8	73	2303960	SIDEPLATE (RIGHT)PD MK	*116	2261713 WASHER-1/4 [6.EA]
35	2303937	MOTOR REST- LEFT 3-5/8	74	2303965	SIDEPLATE(LEFT)PD MK	*117	2263103 NUT NYLOK 1/4-20 MTG [6.EA]
36	2303430	SCREW 1/4-20X5/8 SELF TAP [4.EA]	75	2303430	SCREW-1/4-20 X 5/8- [4.EA]	*118	2301720 WASHER-MOUNTING RUBBER [6.EA]
37	2771826	DRIVE HOUSING / LATCH HANDLE ASSY	76	2302515	CONTROL BOX PD/AP		
■	2882011	BUSHING/ OUTSHAFT KIT (INCLUDES 39-42)	77	2991280	COIL CORD WSTRAIN RELIEF 48, 54"		[LEADWIRE EXTENSIONS]
				2991282	COIL CORD WSTRAIN RELIEF 60"	2030710	CONNECTOR BUT [2 EA.]
*39	2302010	DRIVE HOUSING OUTPUT SHAFT	78	2065400	WIRE INSULATOR-LGE 1-3/4 [3.EA]	2030317	WIRE EXTENSION 18" RED
*40	2307304	BUSHING- INNER [2.EA]	79	2256300	TIE WRAP-5" BLACK	2030316	WIRE EXTENSION 18" BLACK
*41	2307305	BUSHING- OUTER [2.EA]	80	2224702	INSERT- PLUG	2375400	SHRINK TUBE
*42	2304603	O-RING		2224700	INSERT- PLUG US2		

Seal & O-Ring Kit p/n 2888460 * This item is part of an assembly. This item cannot be sold separately due to machining and /or assembly that is required.

P/N 2314960

REV. B 10-06

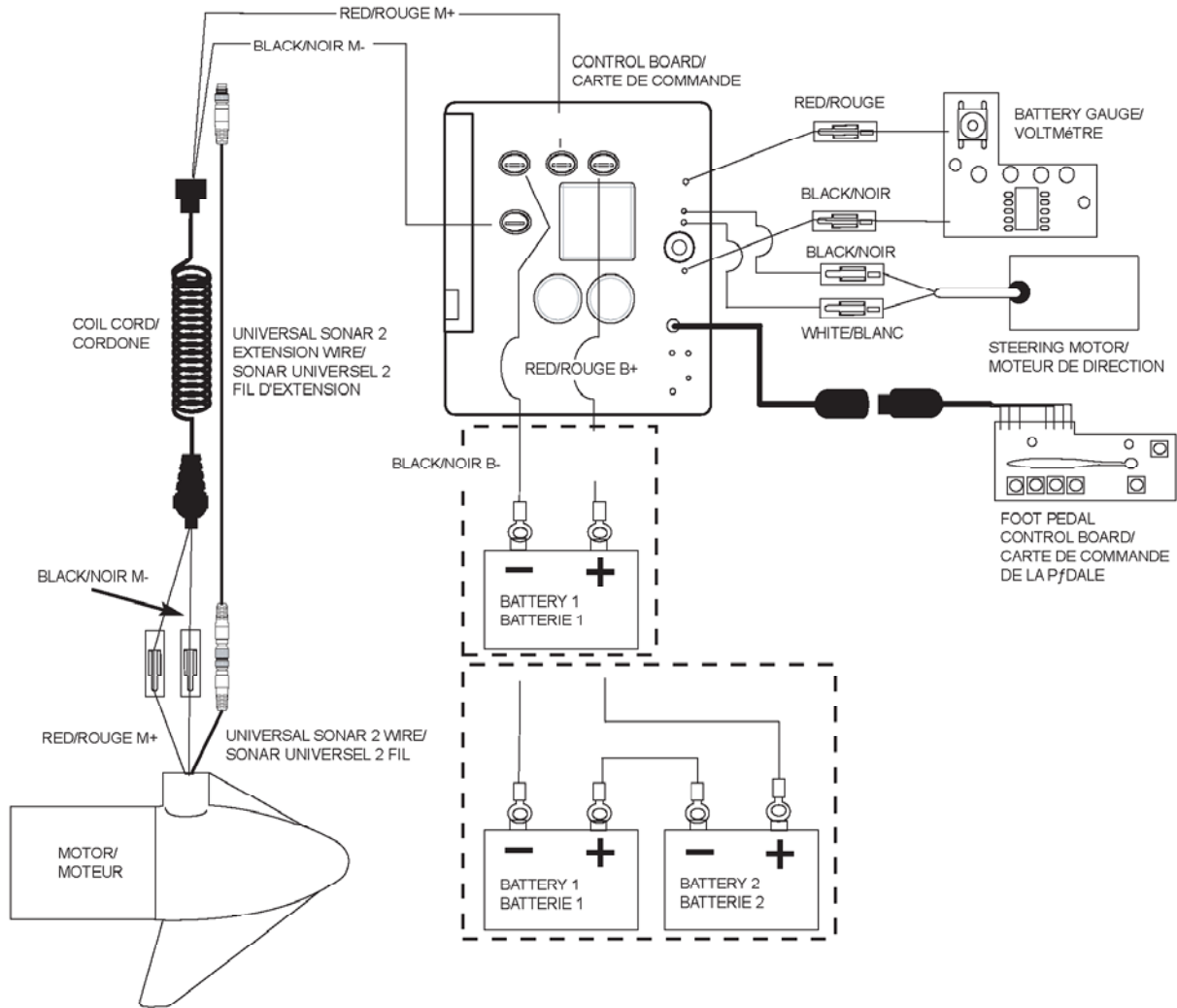
For parts and service

call toll free: 1-888-404-1119

www.mikesreelrepair.com

For parts and service
 call toll free: 1-888-404-1119
 www.mikesreelrepair.com

45PD is 12-volt!



NOTE:
 1. BATTERY 2 AND CONNECTING WIRE USED FOR 24V APPLICATIONS ONLY
 2. UNIVERSAL SONAR 2 WIRES APPLICABLE TO US2 MOTORS ONLY
NOTEZ :
 1. LA BATTERIE 2 DE CONNEXION LE FIL UTILISÉ POUR 24V LES APPLICATIONS SEULEMENT
 2. LE SONAR UNIVERSEL 2 FILS APPLICABLES AUX MOTEURS US2 SEULEMENT