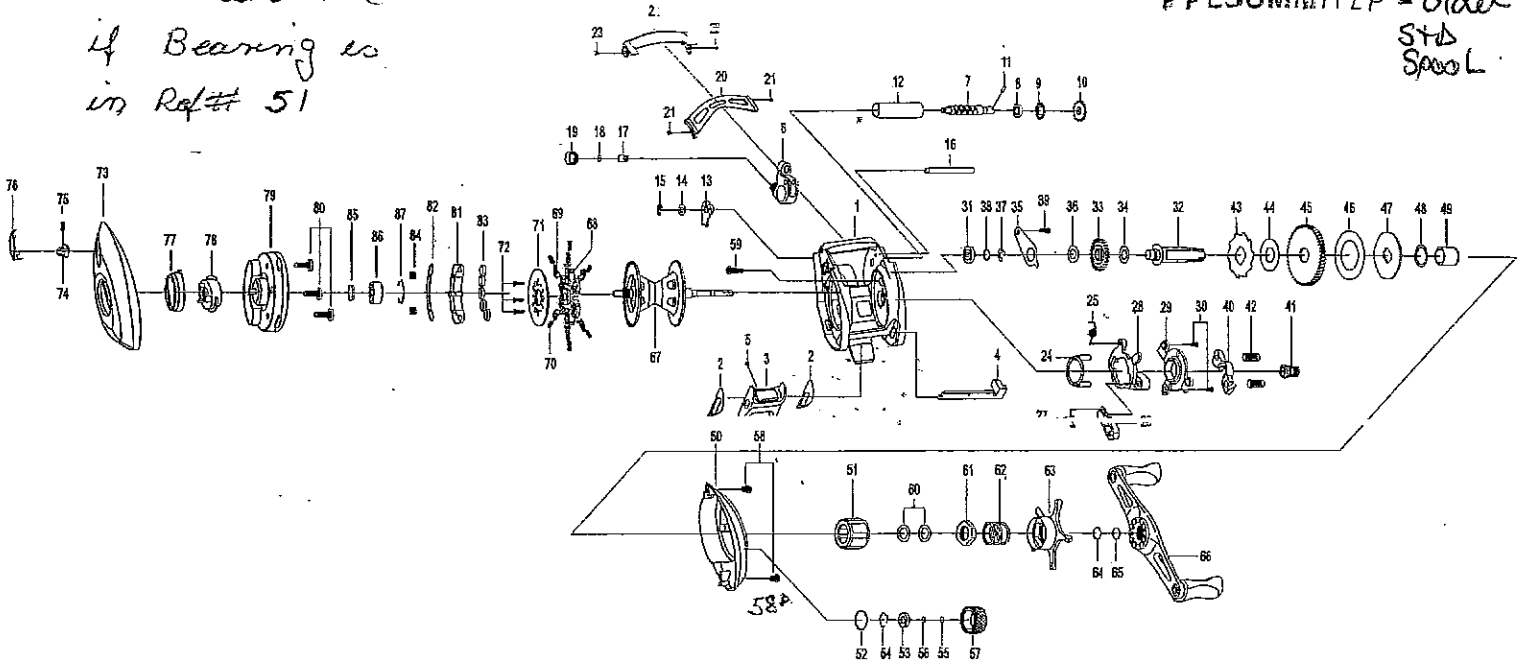


2 Cast Com  
 ask Customer  
 if Bearing is  
 in Ref# 51

PFLSUMMITLP - older  
 STD  
 SPOOL



Part #	Part Name	Part #	Part Name	Part #	Part Name
1	FRAME	30	CAM PLATE SCREW (A) (*2)	60	DRAG SPRING WASHER (*2) - 1146895
2	CLUTCH BAR PLATE	31	BALL BEARING - 1145089	61	DRAG NUT - 1145891
3	CLUTCH BAR ASSEMBLY	32	CRANK SHAFT	62	STAR DRAG SPRING - 1146790
4	CLUTCH LINK	33	IDLER(L) - 1145607	63	STAR DRAG ASSEMBLY
5	CLUTCH BAR SCREW	34	IDLER(L) WASHER (A)	64	CUSHION WASHER - 1146891
6	LINE GUIDE ASSEMBLY - 1145148	35	BEARING PLATE	65	HANDLE SPACER - 1146892
7	WORM SHAFT - 1146319	36	IDLER(L) WASHER (B)	66	HANDLE ASSEMBLY (INCL 4BB) - 1145504
8	BALL BEARING - 1145107	37	E-RING - 1145282	67	SPOOL ASSEMBLY (INCL 1BB) - 1146570
9	WORM SHAFT BUSHING (A)	38	CRANK SHAFT SPACER - 1146825	68	BRAKE SHOE HOLDER
10	IDLER(S) - 1145606	39	BEARING PLATE SCREW	69	BRAKE SHOE (WHITE) (*6) - 1145292
11	WORM SHAFT PIN - 1145950	40	PINION YOKE - 1146913	70	BRAKE SHOE SPRING (*6) - 1146789
12	LINE GUIDE PIPE - 1145721	41	PINION GEAR - 1146008	71	BRAKE HOLDER PLATE
13	WORM SHAFT BUSHING (B) - 1145175	42	PINION YOKE SPRING (*2) - 1146788	72	BRAKE HOLDER - 1146263
14	WORM SHAFT WASHER - 1146824	43	RATCHET	73	LEFT SIDE COVER - 1146957
15	E-RING - 1145282	44	RATCHET WASHER - 1146889	74	LOCKING PIN
16	PILLAR	45	DRIVE GEAR - 1145700	75	LOCKING PIN SPRING
17	LINE GUIDE PAWL - 1145943	46	DRAG WASHER (B) - 1146890	76	PUSH BUTTON ASSEMBLY
18	SPACER - 1146818	47	DRAG WASHER (D)	77	CONTROL DIAL ASSEMBLY
19	PAWL CUP	48	SLEEVE WASHER	78	SLIDE CAM
20	THUMB REST	49	SLEEVE - 1146321	79	SPOOL COVER ASSEMBLY
21	THUMB REST SCREW (*2)	50	RIGHT SIDE COVER	80	SPOOL COVER SCREW (*3)
22	FRONT COVER	51	ONE WAY CLUTCH - 1145127	81	MAGNET HOLDER
23	FRONT COVER SCREW (*2)	52	O-RING - 1146074	82	MAGNET HOLDER PLATE
24	YOKE HOLDER - 1146916	53	BALL BEARING - 1145123	83	MAGNET (*5)
25	CLUTCH SPRING - 1146749	54	BUSHING RETAINER - 1146063	84	MAGNET HOLDER SPRING (*3)
26	RETURN PAWL - 1145942	55	TENSION WASHER	85	SPOOL SPACER (A)
27	RETURN PAWL SPRING - 1146750	56	SPOOL SPACER (B)	86	BALL BEARING - 1145095
28	CLUTCH CAM - 1145184	57	CAST CONTROL CAP - 1146958	87	BEARING RETAINER - 1146063
29	CAM PLATE - 1145185	58	RIGHT SIDE COVER SCREW (A) - 1146261		
		59	RIGHT SIDE COVER SCREW (B) - 1146262		
			58A SCREW - 1146262		

9-24-01

\* 57 has Bearing