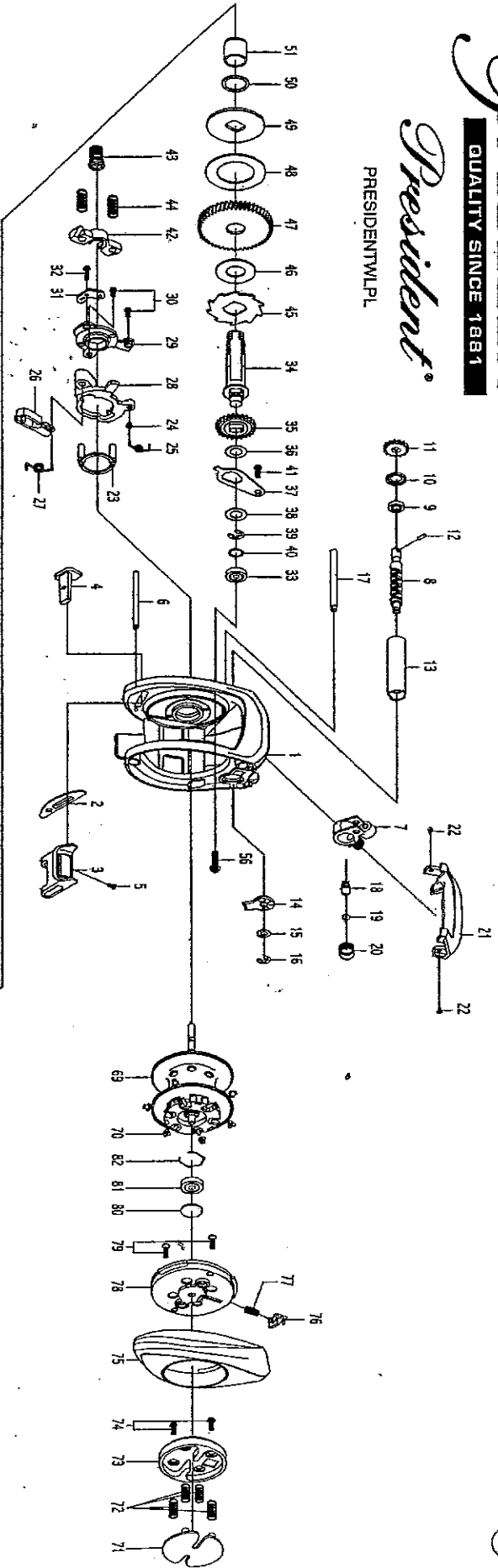


President Left Hand
L P wide spool



For Parts and Service
Call 1-888-404-1119
www.mikesreelrepair.com



Part #	Part Name	Part #	Part Name	Part #	Part Name
1	Frame	21	Front Cover	41	Bearing Plate Screw
2	Clutch Bar Plate	22	Front Cover Screw (*2)	42	Pinion Yoke
3	Clutch Bar Assembly	23	Yoke Holder	43	Pinion Gear — 1145998
4	Clutch Link	24	Clutch Spring Bushing — 1145288	44	Pinion Yoke Spring(*2) — 1146751
5	Clutch Bar Support	25	Clutch Spring — 1146774	45	Ratchet
6	Clutch Bar Screw	26	Return Pawl	46	Ratchet Washer — 1146869
7	Line Guide Assembly — 1145140	27	Return Pawl Spring — 1146749	47	Drive Gear
8	Worm Shaft — 1146312	28	Clutch Cam	48	Drag Washer(B) — 1146854
9	Ball Bearing — 1145107	29	Cam Plate	49	Drag Washer(D)
10	Worm Shaft Bushing	30	Cam Plate Screw A(*2)	50	Sleeve Washer(Optional)
11	Idler(S) — 1145641	31	Clutch Spring Holder	51	Sleeve — 1146329
12	Worm Shaft Pin — 1145950	32	Cam Plate Screw B	52	Right Side Cover Assembly
13	Line Guide Pipe — 1145717	33	Ball Bearing — 1145089	53	One Way Clutch — 1145087
14	Worm Shaft Bushing(B) — 1145175	34	Crank Shaft	54	Right Side Cover Screw (A)
15	Worm Shaft Washer(Optional)	35	Idler(U) — 1145607	55	Right Side Cover Screw (B)
16	E-Ring — 1145278	36	Idler(L) Washer(A)(Optional)	56	Right Side Cover Screw (C)
17	Pillar	37	Bearing Plate	57	Cast Control Cap Assembly — 1146939
18	Line Guide Pawl — 1145921	38	Idler(L) Washer(B)	58	Tension Washer — 1146868
19	Spacer(Optional)	39	E-Ring — 1145278	59	Spool Spacer (B) — 1146341
20	Pawl Cap — 1145221	40	Crank Shaft Spacer(Optional)	60	Ball Bearing — 1145108
				61	Bearing Retainer — 1146066
				62	Drag Spring Washer(*2) — 1146732
				63	Drag Nut
				64	Star Drag Spring — 1146752
				65	Star Drag Assembly
				66	Cushion Washer
				67	Handle Spacer
				68	Handle Assembly (incl 4BB)
				69	Spool Assembly(INCL 1BB)
				70	Brake Collar(White)(*6) — 1145287
				71	Lever Plate
				72	Lever Plate Spring(*4) — 1146736
				73	Lock Lever
				74	Lock Lever Screw (*2) — 1146210
				75	Left Side Cover — 1146945
				76	Lock Pin
				77	Lock Pin Spring — 1146753
				78	Spool Cover
				79	Spool Cover Screw(*2)
				80	Ball Bearing
				81	Spool Spacer(A)
				82	Bearing Retainer — 1146063