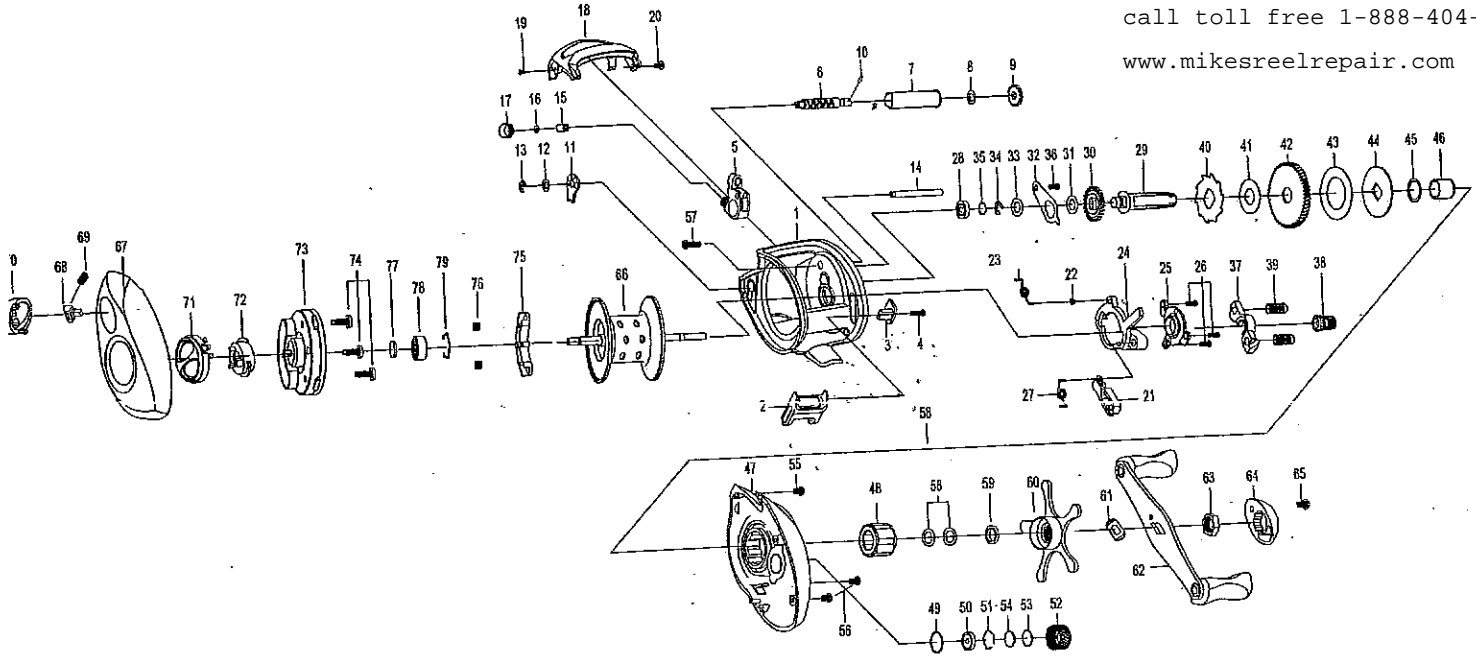


For Parts and Service
call toll free 1-888-404-1119
www.mikesreelrepair.com



For Parts and Service
call toll free 1-888-404-1119

www.mikesreelrepair.com

Part #	Part Name	Part #	Part Name
1	Frame	41	Ratchet Washer
2	Clutch Bar	42	Drive Gear
3	Clutch Link	43	Drag Washer (B) — 1146854
4	Clutch Bar Screw	44	Drag Washer (D)
5	Line Guide Assembly — 1145150	45	Sleeve Washer(Optional)
6	Worm Shaft — 1146301	46	Sleeve — 1146329
7	Line Guide Pipe — 1145726	47	Right Side Cover
8	Idler(s) Washer(Optional)	48	One Way Clutch — 1145087
9	Idler(s) — 1145641	49	O-Ring — 1146066
10	Worm Shaft Pin — 1145950	50	Ball Bearing — 1145125
11	Worm Shaft Bushing(B) — 1145175	51	Bearing Retainer — 1146066
12	Worm Shaft Washer(Optional)	52	Cast Control Cap — 1146948
13	E-Ring — 1145282	53	Tension Washer
14	Pillar — 1145948	54	Spool Spacer (B)
15	Line Guide Pawl — 1145927	55	Right Side Cover Screw (A) — 1146270
16	Spacer(Optional)	56	Right Side Cover Screw B(X2) — 1146271
17	Pawl Cap — 1145245	57	Right Side Cover Screw (C)
18	Front Cover	58	Drag Spring Washer(x2) — 1146859
19	Front Cover Screw-A	59	Spacer
20	Front Cover Screw-B	60	Star Drag Assembly
21	Return Pawl — 1145942	61	Leaf Spring — 1146744
22	Clutch Spring Bushing — 1145288	62	Handle Assembly — 1145521
23	Clutch Spring — 1146743	63	Handle Nut — 1145790
24	Clutch Caw — 1145184	64	Handle Nut Cap — 1145210
25	Cam Plate — 1146021	65	Handle Nut Cap Screw — 1146178
26	Cam Plate Screw(X3) — 1146269	66	Spool Assembly (Incl 1BB)
27	Return Pawl Spring — 1146750	67	Left Side Cover — 1146952
28	Ball Bearing — 1145089	68	Locking Pin
29	Crank Shaft — 1146323	69	Locking Pin Spring
30	Idler(L) — 1145591	70	Push Button Assembly
31	Idler(L) Washer(A)	71	Control Dial Assembly
32	Bearing-Plate	72	Side Cam
33	Idler(L) Washer(B)	73	Spool Cover
34	E-Ring — 1145283	74	Spool Cover Screw(x3)
35	Crank Shaft Spacer(Optional)	75	Magnet Holder Assembly
36	Bearing Plate Screw	76	Magnet Holder Spring(x2)
37	Pinion Yoke — 1146913	77	Spool Spacer(A)
38	Pinion Gear — 1145984	78	Ball Bearing — 1145095
39	Pinion Yoke Spring(X2) — 1146751	79	Bearing Retainer — 1146064
40	Ratchet		

40