

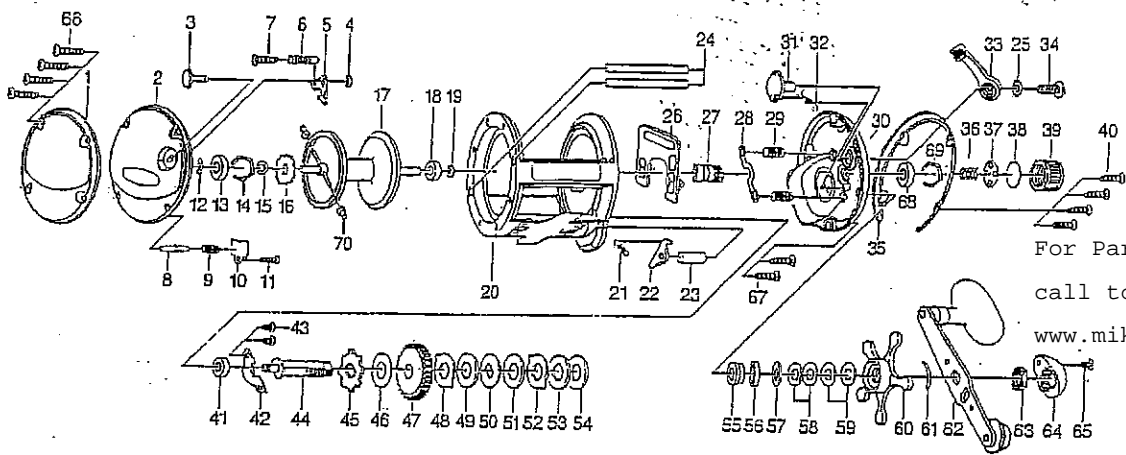
For Parts and Service
 call toll free 1-888-404-1119
 www.mikesreelrepair.com

Contender
 G50HS
 G50HS



CONTENDER™ Star Drag

Use this parts list for ordering replacement parts for your Contender reel.
 When ordering parts, please specify you are ordering for the CONTENDERG50HS model reel



For Parts and Service
 call toll free 1-888-404-1119
 www.mikesreelrepair.com

Part #	Part Name	Part #	Part Name
1	Protector-B	36	Spring — 1146745
2	Left cover	37	Washer — 1146861
3	Click lever	38	Washer — 1146862
4	Retainer — 1145278	39	Tension knob — 1145232
5	Click claw — 1145931	40	Tap screw — 1146241
6	Spring — 1146773	41	Ball bearing — 1145103
7	Tap screw — 1146253	42	Plate
8	Click metal	43	Tap screw
9	Coil spring — 1146781	44	Gear metal
10	Plate	45	Ratchet
11	Tap screw	46	Washer - L1 — 1146893
12	Washer	47	Drive gear
13	Ball bearing — 1145126	48	Washer - A1
14	Retainer — 1146064	49	Washer - L2 — 1146894
15	Cr. ring	50	Washer - D2
16	Click gear — 1145636	51	Washer - L3 — 1146894
17	Spool assembly	52	Washer - A2
18	Ball bearing — 1145083	53	Washer - L4 — 1146894
19	Retainer — 1146065	54	Washer - D2
20	Frame assembly	55	Bush
21	Spring — 1146748	56	Ball bearing — 1145083
22	Stopper — 1145932	57	Washer
23	Metal	58	Spring washer — 1146768
24	Pillar	59	Spring washer — 1146769
25	Tooth washer	60	Star drag assembly
26	Slide plate	61	Leaf spring — 1146744
27	Pinion assembly — 1145989	62	Handle assembly — 1145434
28	Clutch	63	Nut — 1145874
29	Coil spring — 1146747	64	Handle nut cap — 1145241
30	Right cover	65	Screw — 1146157
31	Clutch cam	66	Tap screw
32	Spring — 1146746	67	Tap screw
33	Clutch lever	68	Bearing
34	Screw	69	Retainer — 1146064
35	Protector-A	70	Brake shoe — 1145289

139 TENSION KNOB ASS — 1146934

1-18-06

32