

For Parts and Service  
 call toll free 1-888-404-1119  
 www.mikesreelrepair.com

*Contender*  
*G50*  
*Star Drag*

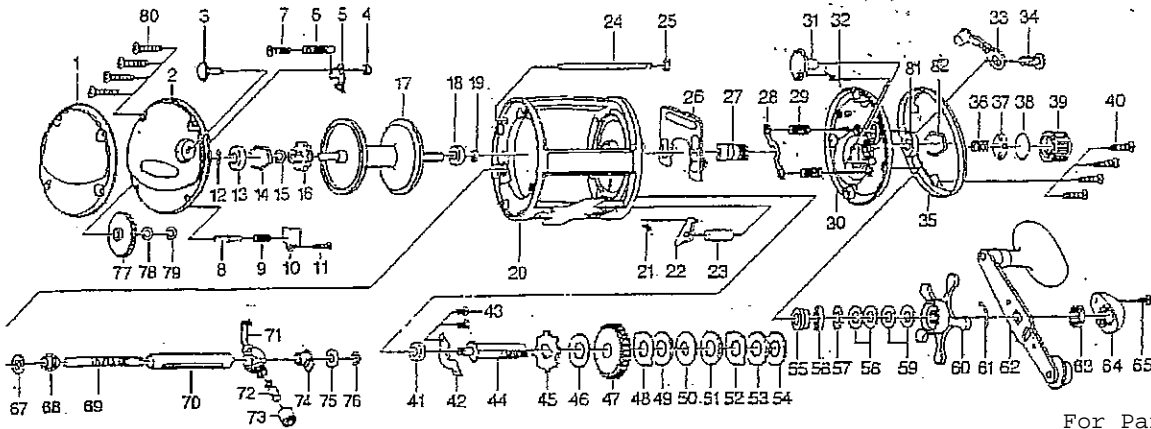
2007



# CONTENDER™

G30  
 G50

Use this parts list for ordering replacement parts for your Contender reel.  
 In ordering parts, please specify you are ordering for the CONTENDER , G30 or G50 model reel



For Parts and Service

call toll free 1-888-404-1119

www.mikesreelrepair.com

Part #	Part Name
1	PROTECTOR-B
2	LEFT COVER
3	CLICK LEVER
4	RETAINER — 1145278
5	CLICK CLAW — 1145931
6	SPRING — 1146773
7	TAP SCREW — 1146253
8	CLICK METAL
9	COIL SPRING — 1146781
10	PLATE
11	TAP SCREW
12	WASHER
13	BALL BEARING — 1145126
14	RETAINER — 1146064
15	C-RING
16	PINION IDLE GEAR — 1145634
17	SPOOL ASSEMBLY
18	BALL BEARING — 1145105
19	RETAINER — 1146065
20	FRAME ASSEMBLY
21	SPRING — 1146748
22	STOPPER — 1145932
23	METAL
24	PILLAR
25	RETAINER — 1145278
26	SLIDE PLATE
27	PINION ASSEMBLY — 1145990
28	CLUTCH
29	COIL SPRING — 1146747
30	RIGHT COVER
31	CLUTCH CAM
32	SPRING — 1146746
33	CLUTCH LEVER ASSEMBLY — 1145776
34	SCREW — 1146252
35	PROTECTOR-A
36	SPRING — 1146745
37	WASHER — 1146861
38	WASHER — 1146862
39	TENSION-KNOB — 1145232
40	TAP SCREW — 1146241
41	BALL BEARING — 1145103
39	TENSION KNOB ASS — 1146934

Part #	Part Name
42	PLATE
43	TAP SCREW
44	GEAR METAL
45	RATCHET
46	WASHER- L1 — 1146893
47	DRIVE GEAR
48	WASHER-A1
49	WASHER- L2 — 1146894
50	WASHER- D1
51	WAHER- L3 — 1146894
52	WASHER- A2
53	WASHER- L4 — 1146894
54	WASHER- D2
55	BUSH
56	BALL BEARING — 1145083
57	WASHER
58	SPRING WASHER — 1146768
59	SPRING WASHER — 1146769
60	STAR DRAG ASSEMBLY
61	LEAF SPRING — 1146744
62	HANDLE ASSEMBLY — 1145434
63	NUT — 1145874
64	HANDLE NUT CAP — 1145241
65	SCREW — 1146157
66	RETAINER — 1145278
67	GEAR — 1145637
68	BUSH
69	WORM SHAFT — 1146302
70	PIPE — 1145725
71	LEVEL WIND ASSEMBLY — 1145145
72	LEVEL WIND PIN — 1145923
73	NUT — 1145873
74	BUSH
75	WASHER
76	RETAINER — 1145278
77	IDLE GEAR — 1145635
78	WASHER
79	RETAINER
80	TAP SCREW — 1146242
81	BEARING
82	RETAINER — 1146064

31