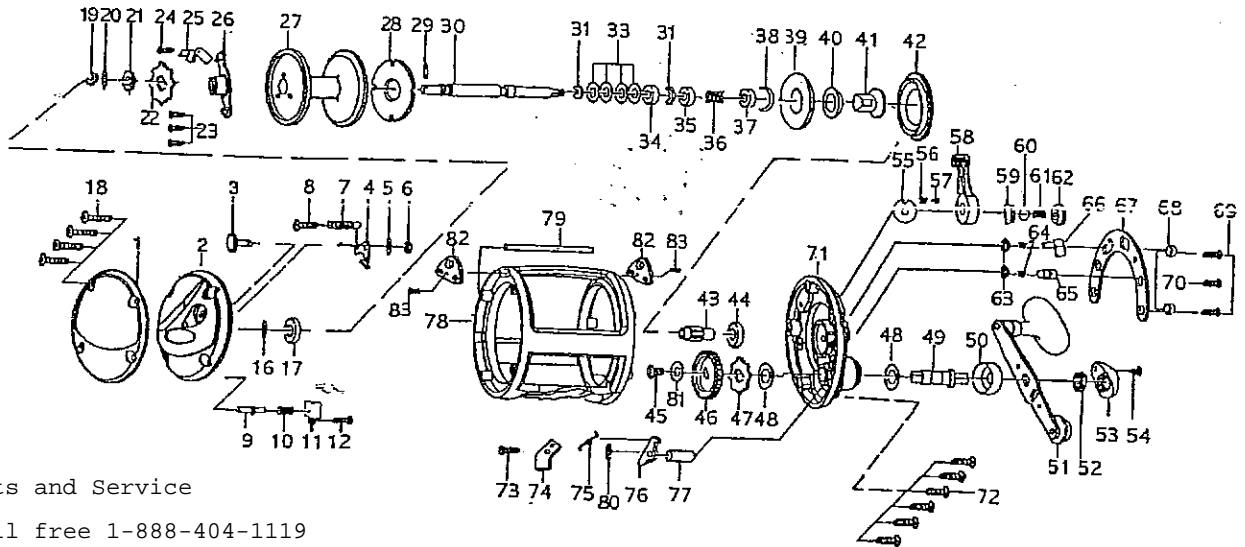


For Parts and Service
 call toll free 1-888-404-1119
 www.mikesreelrepair.com

Contender
 G-40L
 Lever Drag

CONTENDER™ G40L



For Parts and Service
 call toll free 1-888-404-1119
 www.mikesreelrepair.com

Part #	Part Name	Part #	Part Name	Part #	Part Name
1	Protector-B	30	Main shaft	57	Pin—1145953
2	Left cover assembly	31	Retainer	58	Drag lever
3	Click lever	33	Spring washer	59	Cam
4	Click claw—1145931	34	Ball bearing—1145121	60	O-ring
5	Washer	35	Ball bearing—1145121	61	Spring—1146768
6	Retainer—1145278	36	Coil spring	62	Drag screw
7	Spring—1146773	37	Ball bearing—1145094	63	Retainer—1145278
8	Tap screw—1146253	38	C-ring	64	Spring—1146780
9	Click metal	39	Washer-D	65	Button-A
10	Coil spring—1146781	40	Spring washer	66	Button-B
11	Plate	41	Drag metal	67	Lever guide
12	Tapping screw	42	Spool cap	68	Metal
16	Washer	43	Pinion—1146001	69	Tap screw—1146242
17	Bearing	44	Ball bearing—1145118	70	Tap screw—1146246
18	Tapping screw—1146242	45	Screw	71	Right cover
19	C-ring	46	Drive gear	72	Tapping screw—1146241
20	Washer	47	Ratchet	73	Tap screw
21	Click gear—1145677	48	Washer	74	Plate
22	Ratchet	49	Gear metal	75	Spring—1146779
23	Screw	50	Cap	76	Stopper
24	Screw	51	Handle assembly—1145434	77	Metal
25	Stopper assembly—1145936	52	Nut—1145874	78	Frame
26	Click housing	53	Handle nut cap—1145241	79	Pillar
27	Spool assembly	54	Screw—1146251	80	Washer
28	Washer-L	55	Washer	81	Spring washer
29	Pin	56	Spring—1146777	82	Plate
				83	Tap screw
				84	WSHER