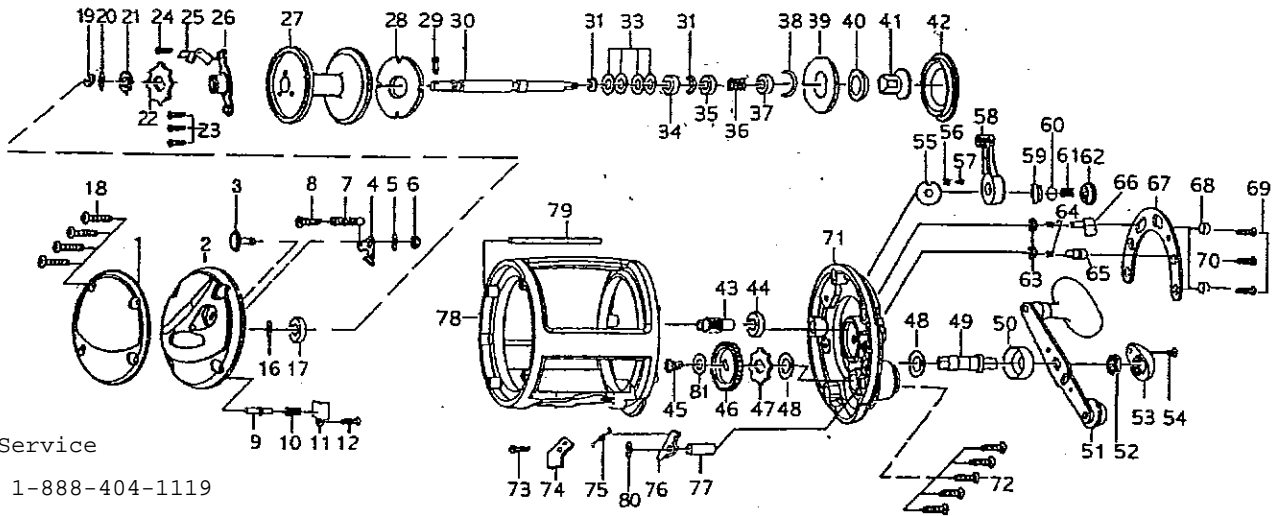


For Parts and Service
 call toll free 1-888-404-1119
 www.mikesreelrepair.com

Contender
 G20L
 Lever Drag

CONTENDER™ G20L



For Parts and Service
 call toll free 1-888-404-1119
 www.mikesreelrepair.com

Part #	Part Name	Part #	Part Name	Part #	Part Name
1	Protector-B	30	Main shaft	57	Pin — 1145953
2	Left cover assembly	31	Retainer	58	Drag lever
3	Click lever	33	Spring washer	59	Cam
4	Click claw	34	Ball bearing	60	O-ring
5	Washer	35	Ball bearing	61	Spring — 1146776
6	Retainer — 1145278	36	Coil spring	62	Drag screw
7	Spring — 1146773	37	Ball bearing	63	Retainer — 1145278
8	Tap screw	38	C-ring	64	Spring — 1146780
9	Click metal	39	Washer-D	65	Button-A
10	Coil spring — 1146781	40	Spring washer	66	Button-B
11	Plate	41	Drag metal	67	Lever guide
12	Tapping screw	42	Spool cap	68	Metal
16	Washer	43	Pinion — 1146000	69	Tap screw — 1146242
17	Bearing	44	Ball bearing — 1145118	70	Tap screw — 1146246
18	Tapping screw — 1146242	45	Screw	71	Right cover
19	C-ring	46	Drive gear	72	Tapping screw — 1146241
20	Washer	47	Ratchet	73	Tap screw
21	Click gear — 1145677	48	Washer	74	Plate
22	Ratchet	49	Gear metal	75	Spring — 1146779
23	Screw	50	Cap	76	Stopper
24	Screw	51	Handle assembly — 1145434	77	Metal
25	Stopper assembly — 1145936	52	Nut — 1145874	78	Frame
26	Click housing	53	Handle nut cap — 1145241	79	Pillar
27	Spool assembly	54	Screw — 1146251	80	Washer
28	Washer-L	55	Washer	81	Spring washer
29	Pin	56	Spring — 1146777		

27