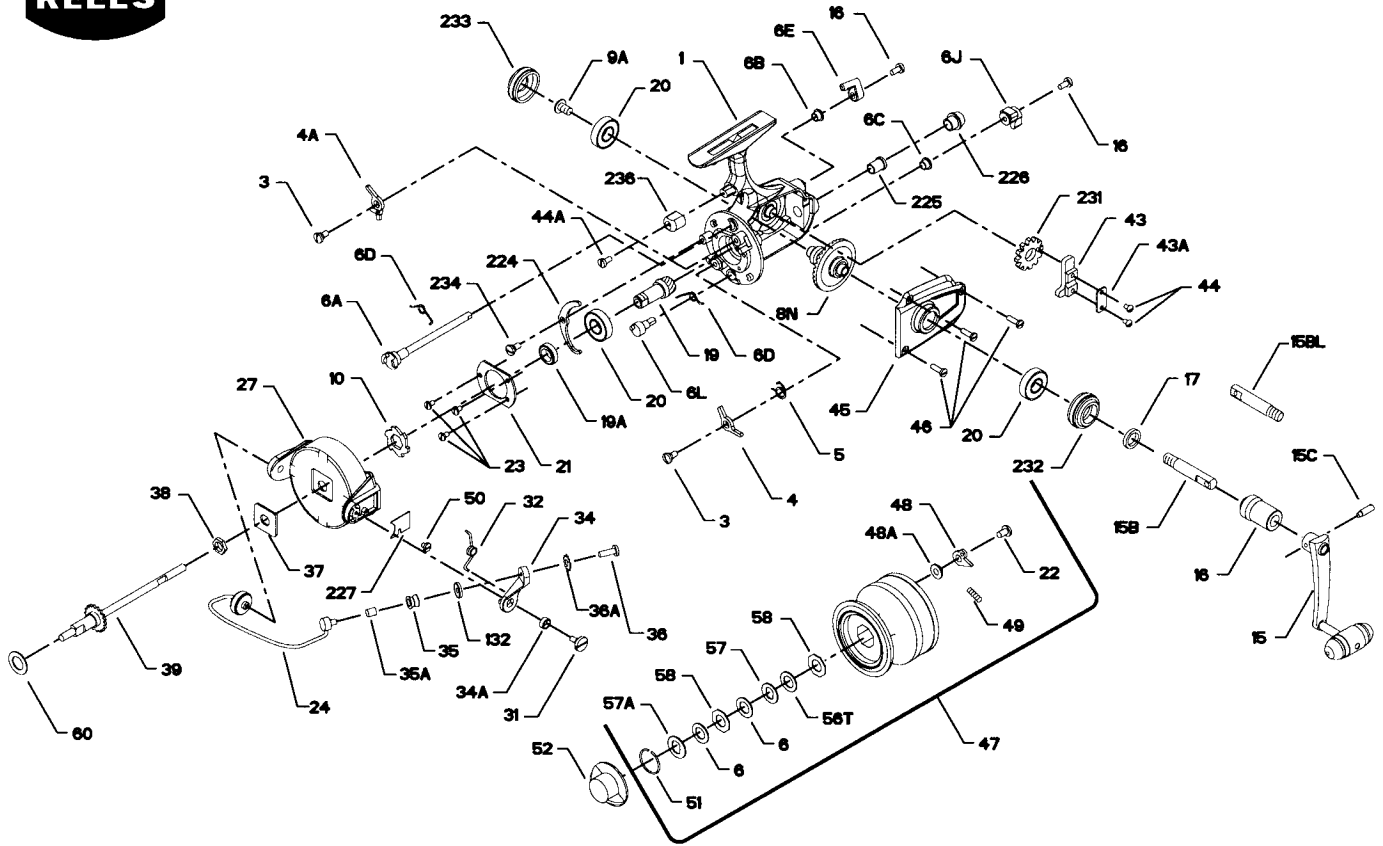




PARTS LIST FOR MODELS 750SS AND 850SS



KEY NO.	DESCRIPTION
1	Housing
3	Dog Screw
4	Dog
4A	Silent Dog
5	Click Dog Spring
6	Drag Washer-HT100
6A	Upper Eccentric
6B	Upper Eccentric Liner
6C	Silent Eccentric Liner
6D	Eccentric Spring
6E	Anti-Reverse Lever
6J	Silent Dog Lever
6L	Silent Eccentric
7	Pinion Bushing
8	Main Gear
9A	Standard Drive Screw
10	Ratchet
15	Handle
15B	Standard Pivot
15BL	Left Hand Pivot
15C	Pivot Screw
16	Collar
16A	Eccentric Screw
17	Seal Washer
19	Pinion
19A	Pinion Spacer
20	Bearing
21	Bearing Cover
22	Spool Click Screw
23	Bearing Cover Screw
24	Bail Wire
24	Bail Wire
27	Rotor
27	Rotor
31	Bail Arm Screw
32	Bail Arm Spring

PART NO.	DESCRIPTION
1-750	Housing
1-850	Housing
3-750	Dog Screw
4-750	Dog
4A-750	Silent Dog
5-704	Click Dog Spring
6-60	Drag Washer-HT100
6A-750	Upper Eccentric
6B-750	Upper Eccentric Liner
6B-704Z	Silent Eccentric Liner
6D-710	Eccentric Spring
6E-750	Anti-Reverse Lever
6J-750	Silent Dog Lever
6L-750	Silent Eccentric
*7-750	Pinion Bushing
8-750	Main Gear
9A-750	Standard Drive Screw
10-750	Ratchet
15-750	Handle
15B-750	Standard Pivot
15BL-850	Left Hand Pivot
15C-750	Pivot Screw
16-850	Collar
16-910	Eccentric Screw
17-750	Seal Washer
19-750	Pinion
19A-750	Pinion Spacer
20-700	Bearing
21-750	Bearing Cover
22-750	Spool Click Screw
23-750	Bearing Cover Screw
24-750	Bail Wire
24-850	Bail Wire
27-750	Rotor
27-850	Rotor
31-750	Bail Arm Screw
32-750	Bail Arm Spring

KEY NO.	DESCRIPTION
34	Bail Arm
34A	Bail Arm Bushing
35	Line Roller
35A	Roller Sleeve
36	Bail Stud Screw
36A	Lock Washer
37	Rotor Washer
38	Rotor Nut
39	Crosswind Shaft
43	Crosswind Block
43A	Crosswind Block Plate
44	Crosswind Block Screw
44A	Trip Bumper Screw
45	Housing Cover
46	Housing Cover Screw (3 req.)
47	Spool (Complete)
47	Spool (Complete)
48	Click Tongue
48A	Click Tongue Washer
49	Click Tongue Spring
50	Bail Spring Cover Screw
51	Retaining Ring
52	Drag Knob
56T	Drag Washer
57	Drag Washer Keyed (Small Dia.)
57A	Drag Washer Keyed (Large Dia.)
58	Drag Washer (Octagon)
60	Thrust Washer
132	Roller Washer
224	Transfer Lever
225	Crosswind Shaft Bushing
226	Bushing Cap Cover
227	Bail Spring Cover
231	Crosswind Gear
232	Bearing Cover (Open)
233	Bearing Cover (Closed)
234	Transfer Lever Screw
236	Trip Bumper

PART NO.	DESCRIPTION
34-750	Bail Arm
34A-750	Bail Arm Bushing
35-750	Line Roller
35A-704	Roller Sleeve
36-750	Bail Stud Screw
36A-750	Lock Washer
37-706	Rotor Washer
38-710	Rotor Nut
39-750	Crosswind Shaft
43-750	Crosswind Block
43A-750	Crosswind Block Plate
44-750	Crosswind Block Screw
44-750	Trip Bumper Screw
45-750	Housing Cover
46-750	Housing Cover Screw (3 req.)
47-750	Spool (Complete)
47-850	Spool (Complete)
48-750	Click Tongue
48A-750	Click Tongue Washer
49-710	Click Tongue Spring
50-712	Bail Spring Cover Screw
51-704	Retaining Ring
52-750	Drag Knob
56T-704	Drag Washer
57-704	Drag Washer Keyed (Small Dia.)
57A-750	Drag Washer Keyed (Large Dia.)
58-704	Drag Washer (Octagon)
60-750	Thrust Washer
132-750	Roller Washer
224-750	Transfer Lever
225-750	Crosswind Shaft Bushing
226-750	Bushing Cap Cover
227-750	Bail Spring Cover
231-750	Crosswind Gear
232-750	Bearing Cover (Open)
233-750	Bearing Cover (Closed)
234-750	Transfer Lever Screw
236-750	Trip Bumper