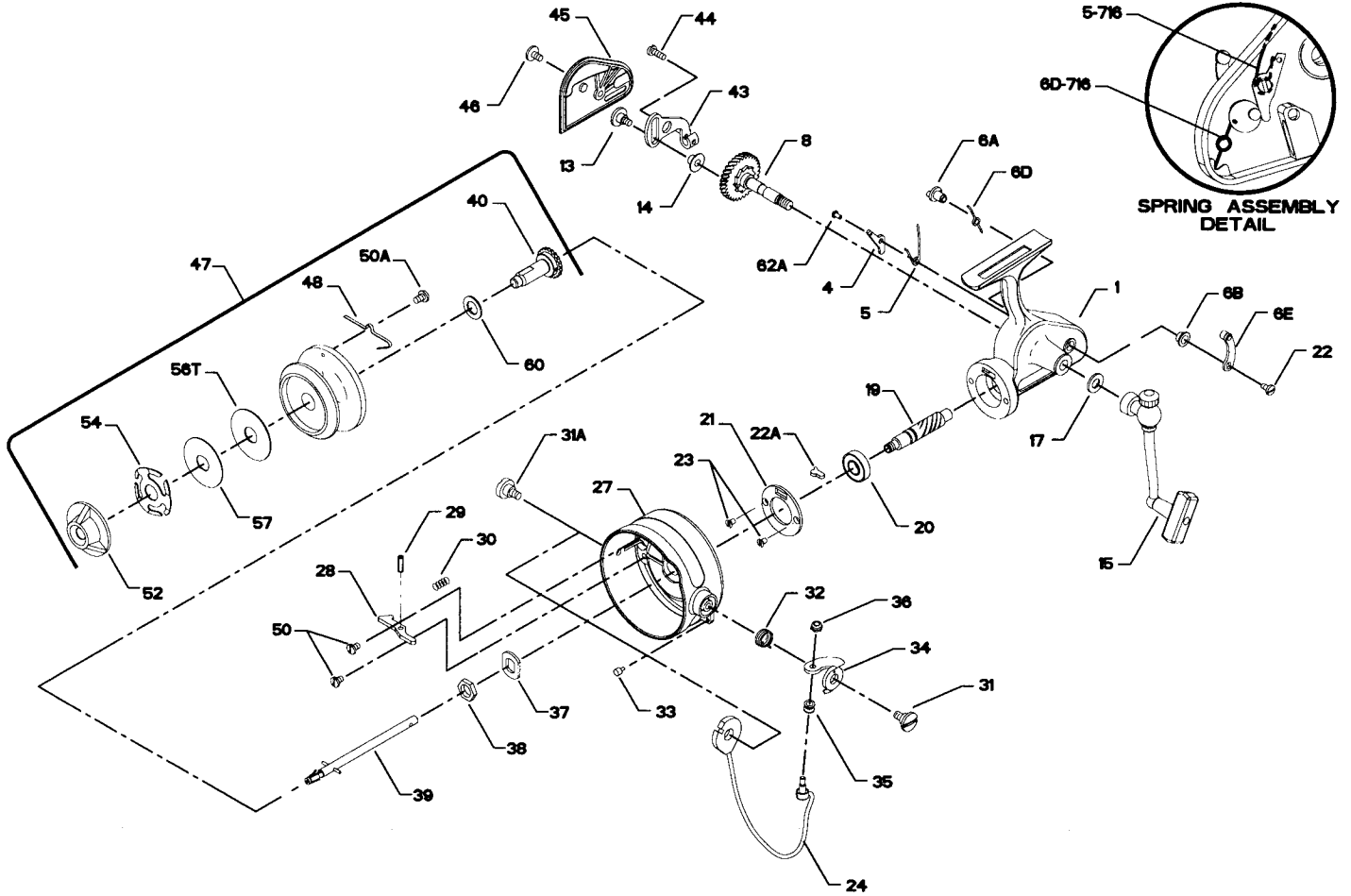




PARTS LIST FOR MODEL 714Z



KEY NO.	DESCRIPTION
1	Housing w/Bushing
4	Dog
5	Dog Spring
6A	Eccentric
6B	Eccentric Liner
6D	Eccentric Spring
6E	Eccentric Lever
8	Main Gear w/Ratchet and Shaft
13	Crosswind Screw
14	Crosswind Roller
15	Handle (Complete)
17	Handle Washer
19	Pinion Gear
20	Pinion Bearing
21	Bearing Retainer
22	Eccentric Screw
22A	Bail Release Ramp
23	Bearing Retainer Screw (2 req.)
24	Bail Wire
27	Rotor Cup
28	Bail Release Arm
29	Release Arm Pin
30	Arm Release Spring
31	Bail Arm Screw

PART NO.	DESCRIPTION
1-714Z	
4-716	
5-716	
6A-716	
6B-700Z	
6D-716	
6E-716	
8-716	
13-716	
14-716	
15-714Z	
17-716	
19-716	
20-722	
21-716	
22-109	
22-716	
23-716	
24-714	
27-714Z	
28-714	
29-716	
30-716	
31-716	

KEY NO.	DESCRIPTION
31A	Bail Screw
32	Bail Spring
33	Bail Arm Bumper
34	Bail Arm
35	Line Roller
36	Bail Lock Nut
37	Rotor Cup Washer
38	Rotor Cup Nut
39	Spool Shaft
40	Spool Sleeve
43	Crosswind Arm
44	Crosswind Shaft Screw
45	Housing Plate
46	Housing Plate Screw
47	Spool (Complete)
48	Click Spring
50	Release Arm Screw (2 req.)
50A	Click Spring Screw
52	Drag Knob
54	Drag Spring
56T	Drag Washer (Teflon®)
57	Metal Keyed Washer
60	Rear Drag Knob
62A	Dog Screw

PART NO.	DESCRIPTION
31A-716	
32-716	
33R-712	
34-716	
35-716	
36-700	
37-716	
38-720	
39-716	
40-716	
43-716	
44-716	
45-714Z	
46-716	
47-714Z	
48-714	
50-712	
50-716	
52-714Z	
54-714	
56T-714	
57-430	
60-716	
62A-716	