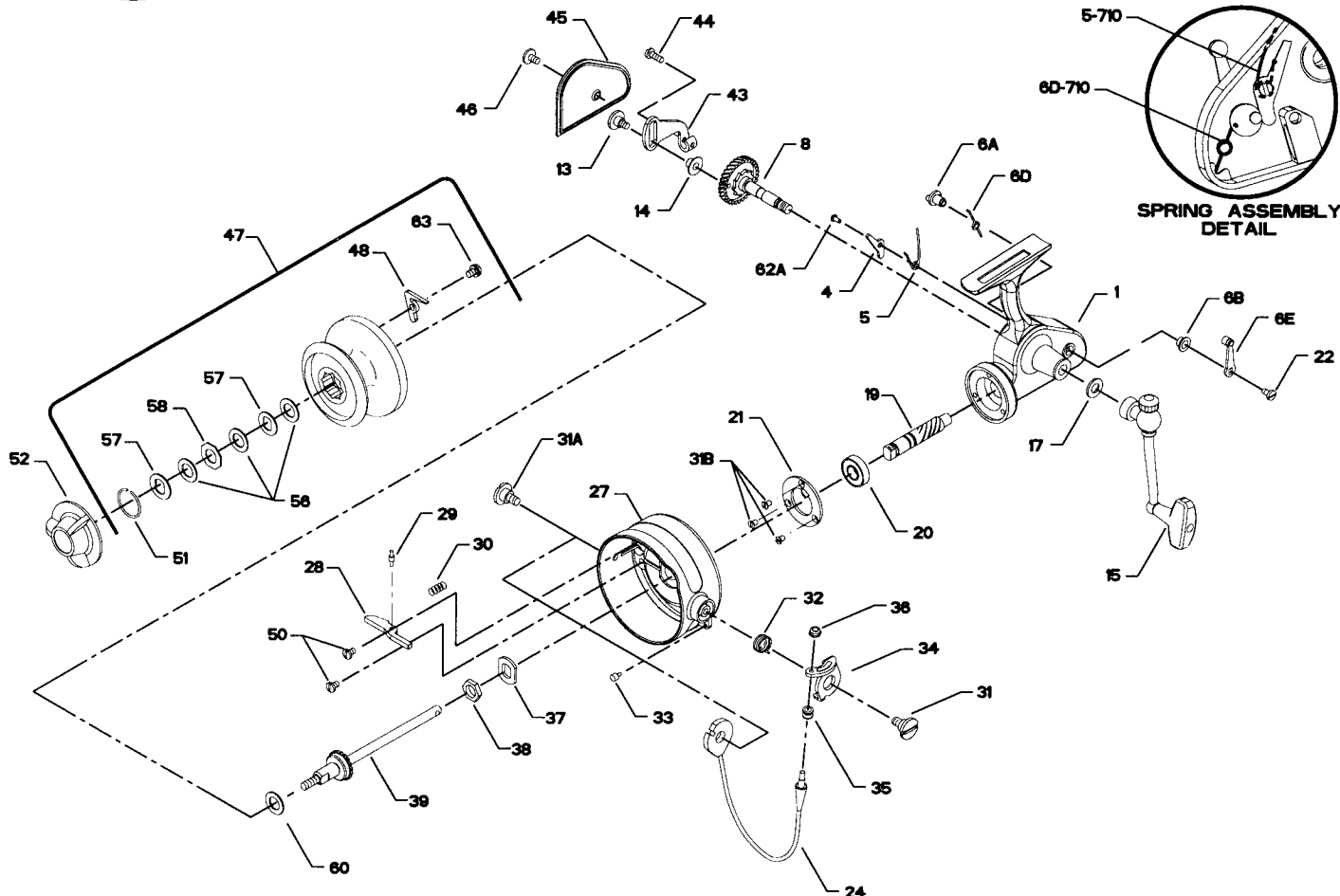




PARTS LIST FOR MODELS 712Z AND 713Z



KEY NO.	DESCRIPTION	PART NO.
1	Housing w/Bushing	*710Z
4	Dog	4-710
5	Dog Spring	*5-710
6A	Eccentric	*6A-710
6B	Eccentric Liner	6B-700Z
6D	Eccentric Spring	6D-710
6E	Eccentric Lever	6E-710
8	Main Gear w/Ratchet	*8-712
13	Crosswind Screw	13-710
14	Crosswind Roller	14-710
15	Handle (Complete)	*15-710Z
17	Handle Washer	17-710
19	Pinion Gear	19-712
20	Pinion Bearing	20-704
21	Bearing Retainer	21-712
22	Eccentric Screw	22-109
24	Bail Wire	24-712
27	Rotor Cup	27-712Z
28	Bail Release Arm	28-712
29	Bail Release Pin	29-712
30	Bail Release Spring	30-700
31	Bail Arm Screw	31-710
31A	Bail Screw	31A-712
31B	Bail Cover Screw (3 req.)	31-19

KEY NO.	DESCRIPTION	PART NO.
32	Bail Spring	32-710
33	Bail Arm Bumper	33R-712
34	Bail Arm	34-712
35	Line Roller	35-720
36	Bail Lock Nut	36-700
37	Rotor Cup Washer	37-710
38	Rotor Cup Nut	38-710
39	Spool Shaft	39-712
43	Crosswind Arm	*43-710
44	Crosswind Screw	44-710
45	Housing Plate	*45-712Z
46	Housing Plate Screw	46-710
47	Spool (Complete)	47-712Z
48	Click Tongue	48-720
50	Release Arm Screw (2 req.)	50-712
51	Retaining Spring	51-710
52	Drag Knob	52-710Z
56	Drag Washer-HT-100 (3 req.)	56-710
57	Metal Keyed Washer (2 req.)	57-720
58	Metal Washer (Octagon)	58-720
60	Rear Drag Washer (Teflon®)	60-712
62A	Dog Screw	62A-716
63	Click Screw	63-349

*For 713Z model order these parts with model suffix (i.e. 1-713Z Housing with Bushing)