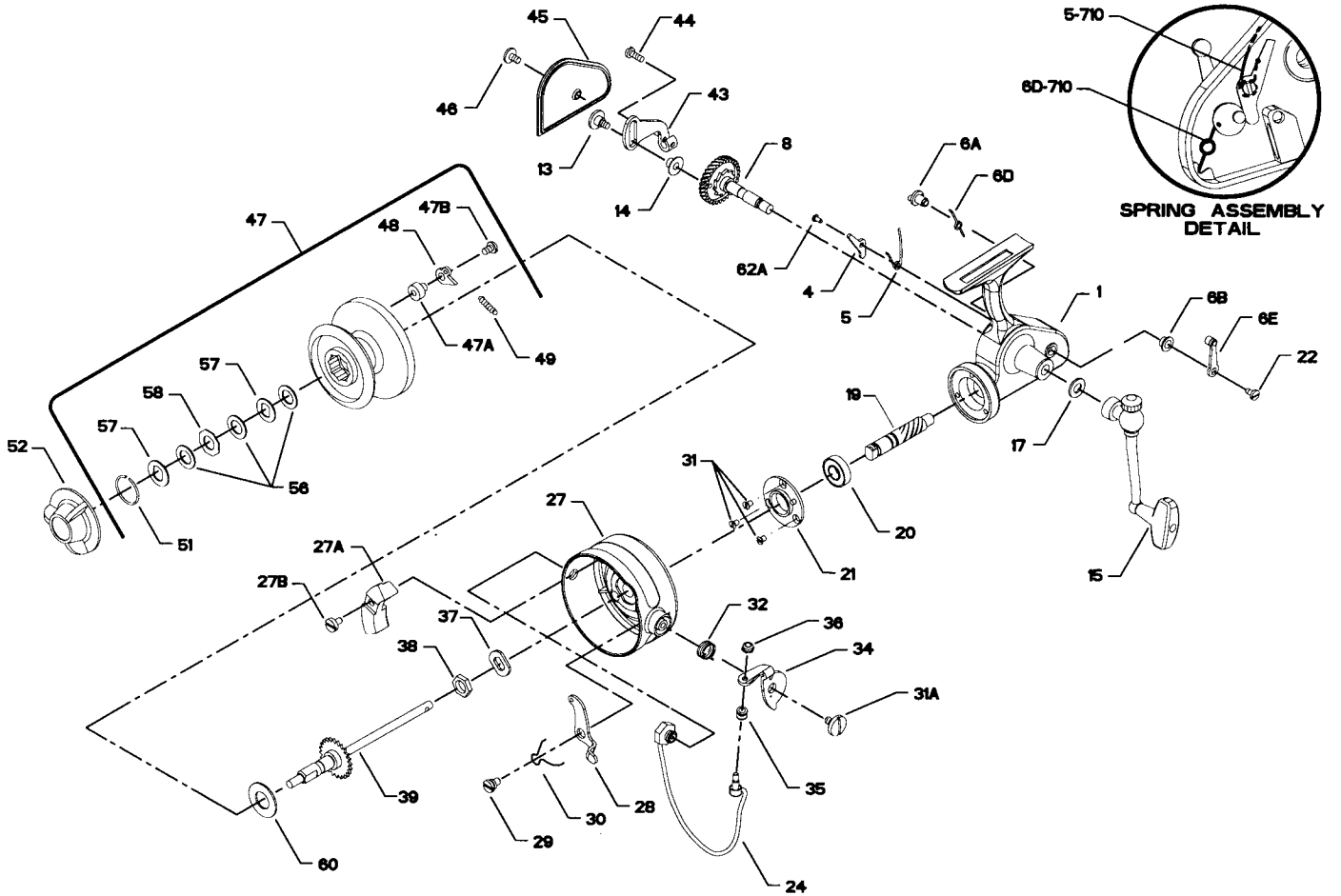




## PARTS LIST FOR MODELS 710Z AND 711Z



| KEY NO. | DESCRIPTION                  | PART NO. | KEY NO. | DESCRIPTION                 | PART NO. |
|---------|------------------------------|----------|---------|-----------------------------|----------|
| 1       | Housing w/Bushing            | *1-710Z  | 31A     | Bail Screw                  | 31-710   |
| 4       | Dog                          | 4-710    | 32      | Bail Spring                 | 32-710   |
| 5       | Dog Spring                   | *5-710   | 34      | Bail Arm                    | 34-710   |
| 6A      | Eccentric                    | *6A-710  | 35      | Line Roller                 | 35-720   |
| 6B      | Eccentric Liner              | 6B-700Z  | 36      | Bail Lock Nut               | 36-700   |
| 6D      | Eccentric Spring             | 6D-710   | 37      | Rotor Cup Washer            | 37-710   |
| 6E      | Eccentric Lever              | 6E-710   | 38      | Rotor Cup Nut               | 38-710   |
| 8       | Main Gear w/Ratchet          | *8-710   | 39      | Spool Shaft                 | 39-710   |
| 13      | Crosswind Screw              | 13-710   | 43      | Crosswind Block             | *43-710  |
| 14      | Crosswind Roller             | 14-710   | 44      | Crosswind Screw             | 44-710   |
| 15      | Handle (Complete)            | *15-710Z | 45      | Housing Cover               | *45-710Z |
| 17      | Handle Washer                | 17-710   | 46      | Housing Cover Screw         | 46-710   |
| 19      | Pinion Gear                  | 19-710   | 47      | Spool (Complete)            | 47-710Z  |
| 20      | Pinion Bearing               | 20-704   | 47A     | Click Bushing               | 47A-710  |
| 21      | Bearing Retainer             | 21-710   | 47B     | Click Screw                 | 47B-710  |
| 22      | Eccentric Screw              | 22-109   | 48      | Click Tongue                | 48-710   |
| 24      | Bail Wire                    | 24-710   | 49      | Click Spring                | 49-710   |
| 27      | Rotor Cup                    | 27-710Z  | 51      | Retaining Spring            | 51-710   |
| 27A     | Counterweight                | 27AN-710 | 52      | Drag Knob                   | 52-710Z  |
| 27B     | Screw                        | 27B-710  | 56      | Drag Washer-HT100 (3 req.)  | 56-710   |
| 28      | Bail Release Arm             | 28-710   | 57      | Metal Keyed Washer (2 req.) | 57-710   |
| 29      | Bail Release Screw           | 29-710   | 58      | Metal Washer (Octagon)      | 58-710   |
| 30      | Bail Release Spring          | 30-710   | 60      | Thrust Washer (Teflon ®)    | 60-710   |
| 31      | Bearing Cover Screw (3 req.) | 31-19    | 62A     | Dog Screw                   | 62A-716  |

\*For 711Z model order these parts with model suffix (i.e. 1-711Z Housing with Bushing)