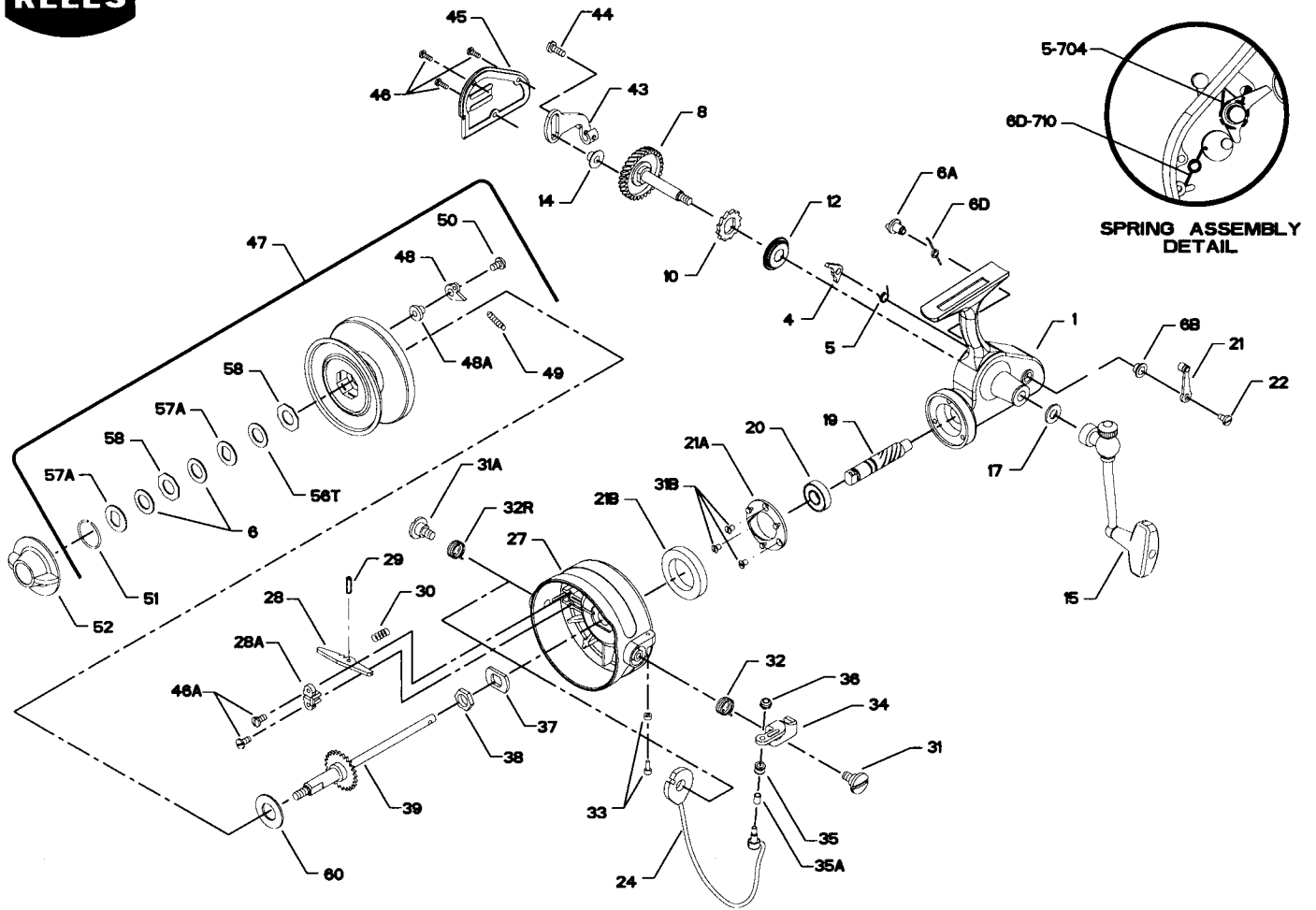




## PARTS LIST FOR MODELS 704Z AND 705Z



| KEY NO. | DESCRIPTION                | PART NO. | KEY NO. | DESCRIPTION                     | PART NO. |
|---------|----------------------------|----------|---------|---------------------------------|----------|
| 1       | Housing w/Bushing          | *1-704Z  | 31B     | Bearing Cover Screw (3 req.)    | 31-19    |
| 4       | Dog                        | 4-704    | 32      | Bail Spring                     | 32-704   |
| 5       | Dog Spring                 | 5-704    | 32R     | Secondary Bail Spring           | 32R-704  |
| 6       | Drag Washer-HT100 (2 req.) | 6-60     | 33      | Bumper                          | 33-704   |
| 6A      | Eccentric                  | 6A-704   | 34      | Bail Arm                        | 34-704   |
| 6B      | Eccentric Liner            | 6B-700Z  | 35      | Line Roller                     | 35-704   |
| 6D      | Eccentric Spring           | 6D-710   | 35A     | Roller Sleeve                   | 35A-704  |
| 8       | Main Gear w/Ratchet        | *8-704   | 36      | Bail Lock Nut                   | 36-700   |
| 10      | Ratchet                    | 10-704   | 37      | Rotor Cup Washer                | 37-700   |
| 12      | Main Gear Thrust Washer    | 12-704   | 38      | Rotor Cup Nut                   | 38-704   |
| 14      | Crosswind Roller           | 14-710   | 39      | Spool Shaft                     | 39-704   |
| 15      | Handle (Complete)          | *15-704Z | 43      | Crosswind Arm                   | *43-704  |
| 17      | Handle Washer              | 17-710   | 44      | Crosswind Screw                 | 44-704   |
| 19      | Pinion Gear                | 19-704   | 45      | Housing Plate                   | *45-704Z |
| 20      | Pinion Bearing             | 20-704   | 46      | Housing Plate Screw (3 req.)    | 46A-704  |
| 21      | Eccentric Lever            | 21-109   | 46A     | Retaining Screw (2 req.)        | 46A-704  |
| 21A     | Bearing Retainer           | 21-704   | 47      | Spool (Complete)                | 47-704Z  |
| 21B     | Rotor Brake                | 21B-704  | 48      | Click Tongue                    | 48-450   |
| 22      | Eccentric Screw            | 22-109   | 48A     | Click Tongue Washer             | 48A-750  |
| 24      | Bail Wire                  | 24-704   | 49      | Click Spring                    | 49-710   |
| 27      | Rotor Cup                  | 27-704Z  | 50      | Click Screw                     | 22-750   |
| 28      | Bail Release Arm           | 28-704   | 51      | Retaining Spring                | 51-704   |
| 28A     | Bail Release Saddle        | 28A-704  | 52      | Drag Knob                       | 52-750   |
| 29      | Bail Release Pin           | 29-704   | 56T     | Drag Washer (Teflon®)           | 56T-704  |
| 30      | Bail Release Spring        | 30-704   | 57A     | Metal Keyed Washer (2 req.)     | 57A-750  |
| 31      | Bail Arm Screw             | 31-700   | 58      | Metal Washer (Octagon) (2 req.) | 58-704   |
| 31A     | Bail Screw                 | 31-700   | 60      | Rear Drag Washer (Teflon®)      | 60-710   |

\*For 705Z models order these parts with Model suffix (i.e. 1-705Z with Bushing)  
 Prices and specifications subject to change without notice.