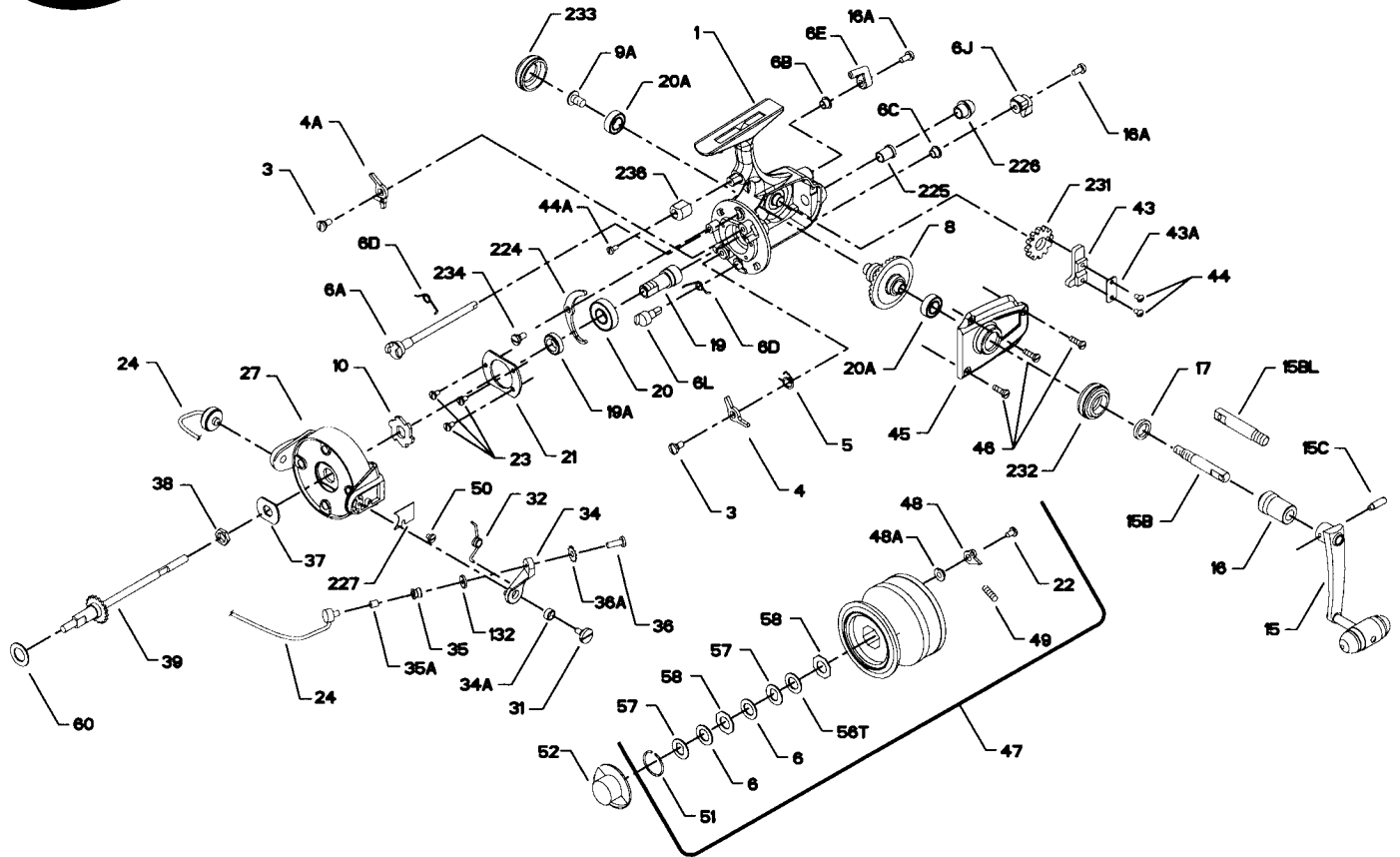




PARTS LIST FOR MODEL 650SS



KEY NO.	DESCRIPTION	PART NO.	KEY NO.	DESCRIPTION	PART NO.
1	Housing	1-650	34A	Bail Arm Bushing	34A-750
3	Dog Screw	3-750	35	Line Roller	35-750
4	Dog	4-650	35A	Roller Sleeve	35A-704
4A	Silent Dog	4A-650	36	Bail Stud Screw	36-750
5	Click Dog Spring	5-704	36A	Lock Washer	36A-750
6	Drag Washer-HT100	6-155	37	Rotor Washer	37-650
6A	Upper Eccentric	6A-650	38	Rotor Nut	38-710
6B	Upper Eccentric Liner	6B-750	39	Crosswind Shaft	39-650
6C	Silent Eccentric Screw	6B-704Z	43	Crosswind Block	43-750
6D	Eccentric Spring	6D-710	43A	Crosswind Block Plate	43A-750
6E	Anti-Reverse Lever	6E-750	44	Crosswind Block Screw (2 req.)	44-750
6J	Silent Dog Lever	6J-750	44A	Trip Bumper Screw	44-750
6L	Silent Eccentric	6L-650	45	Housing Cover	45-650
7	Pinion Bushing	*7-750	46	Housing Cover Screw (3 req.)	46-750
8	Main Gear	8-650	47	Spool (Complete)	47-650
9A	Standard Drive Screw	9A-650	48	Click Tongue	48-750
10	Ratchet	10-650	48A	Click Tongue Washer	48A-750
15	Handle	15-650	49	Click Tongue Spring	49-710
15B	Standard Pivot	15B-650	50	Bail Spring Cover Screw	50-712
15BL	Left Hand Pivot	15BL-650	51	Retaining Ring	51-650
15C	Pivot Screw	15C-650	52	Drag Knob	52-650
16	Collar	16-650	56T	Drag Washer (Teflon ø)	56T-650
16A	Eccentric Screw (2 req.)	16-910	57	Drag Washer (Keyed) Small Dia.	57-650
17	Seal Washer	17-650	58	Drag Washer (Octagon)	58-650
19	Pinion	19-650	60	Thrust Washer	60-750
19A	Pinion Spacer	19A-650	132	Roller Washer	132-750
20	Bearing	20-700	224	Transfer Lever	224-650
20A	Bearing	20-722	225	Crosswind Shaft Bushing	225-750
21	Bearing Cover	21-750	226	Bushing Cap Screw	226-750
22	Spool Click Screw	22-750	227	Bail Spring Cover	227-750
23	Bearing Cover Screw (3 req.)	23-750	231	Crosswind Gear	231-650
24	Bail Wire	24-750	232	Bearing Cover (Open)	232-650
27	Rotor	27-650	233	Bearing Cover (Closed)	233-650
31	Bail Arm Screw	31-750	234	Transfer Lever Screw	234-750
32	Bail Arm Spring	32-750	236	Trip Bumper	236-750
34	Bail Arm	34-750			

*Not Shown