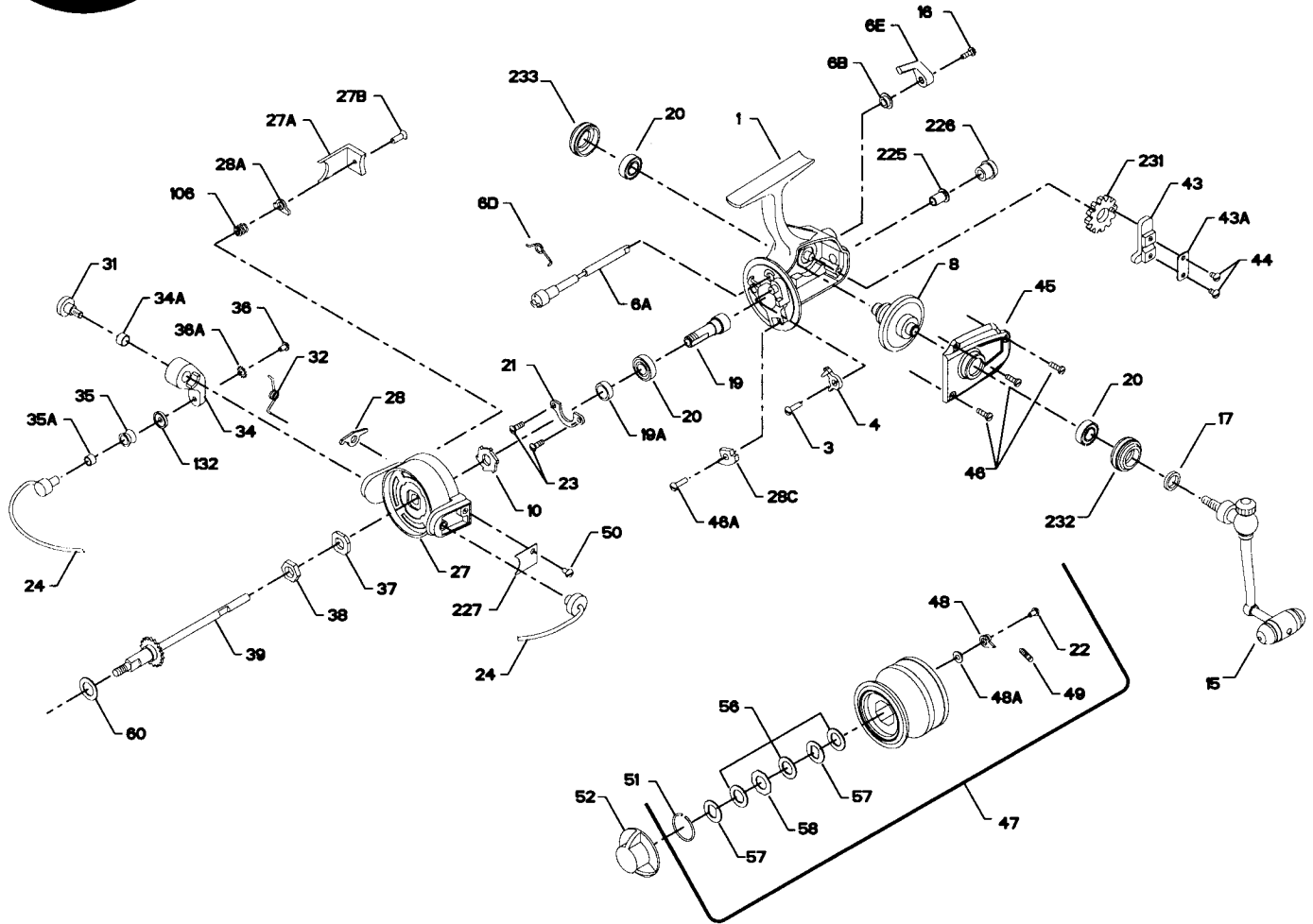




## PARTS LIST FOR MODEL 550SS



KEY NO.	DESCRIPTION
1	Housing
3	Dog Screw
4	Dog
6A	Eccentric
6B	Eccentric Liner
6D	Eccentric Spring
6E	Anti-Reverse Lever
8	Main Gear
10	Ratchet
15	Handle (Complete)
16	Eccentric Screw
17	Seal Washer
19	Pinion
19A	Pinion Spacer
20	Ball Bearing
21	Bearing Cover
22	Spool Click Screw
23	Bearing Cover Screw (2 req.)
24	Bail Wire
27	Rotor
27A	Rotor End Cap
27B	Rotor End Screw
28	Bail Release Jack
31	Bail Arm Screw
32	Bail Spring
34	Bail Arm
34A	Bail Arm Bushing
35	Line Roller
35A	Line Roller Bushing

PART NO.	DESCRIPTION
1-550	Housing
3-750	Dog Screw
4-450	Dog
6A-550	Eccentric
6B-750	Eccentric Liner
6D-710	Eccentric Spring
6E-750	Anti-Reverse Lever
8-450	Main Gear
10-550	Ratchet
15N-650	Handle (Complete)
16-910	Eccentric Screw
17-450	Seal Washer
19-550	Pinion
19A-550	Pinion Spacer
20-722	Ball Bearing
21-550	Bearing Cover
22-750	Spool Click Screw
23-750	Bearing Cover Screw (2 req.)
24-550	Bail Wire
27-550	Rotor
27A-550	Rotor End Cap
27B-550	Rotor End Screw
27-550	Bail Release Jack
31-550	Bail Arm Screw
32-550	Bail Spring
34-550	Bail Arm
34A-550	Bail Arm Bushing
35-750	Line Roller
35A-704	Line Roller Bushing

KEY NO.	DESCRIPTION
36	Bail Stud Screw
36A	Lock Washer
37	Rotor Washer
38	Rotor Nut
39	Crosswind Shaft
43	Crosswind Block
43A	Crosswind Block Plate
44	Crosswind Block Screw (2 req.)
45	Housing Cover
46	Cover Screw (3 req.)
47	Spool (Complete)
48	Click Tongue
48A	Click Tongue Washer
49	Click Tongue Spring
50	Bail Spring Cover Screw
51	Retaining Ring
52	Drag Knob
56	Drag Washer-HT100
57	Metal Slot Washer
58	Drag Washer (Octagon)
60	Thrust Washer (Teflon®)
106	Rotor End Spring
132	Roller Washer
225	Crosswind Shaft Bushing
226	Bushing Cap Screw
227	Bail Spring Cover
231	Crosswind Gear
232	Bearing Cover (Open)
233	Bearing Cover (Closed)

PART NO.	DESCRIPTION
36-750	Bail Stud Screw
36A-750	Lock Washer
37-450	Rotor Washer
38-550	Rotor Nut
39-550	Crosswind Shaft
43-550	Crosswind Block
43A-550	Crosswind Block Plate
22-750	Crosswind Block Screw (2 req.)
45-550	Housing Cover
46-750	Cover Screw (3 req.)
47-550	Spool (Complete)
48-750	Click Tongue
48A-750	Click Tongue Washer
49-710	Click Tongue Spring
50-712	Bail Spring Cover Screw
51-710	Retaining Ring
52-550	Drag Knob
56-710	Drag Washer-HT100
57-710	Metal Slot Washer
58-710	Drag Washer (Octagon)
60-550	Thrust Washer (Teflon®)
106-60	Rotor End Spring
132-750	Roller Washer
225-550	Crosswind Shaft Bushing
226-550	Bushing Cap Screw
227-550	Bail Spring Cover
231-550	Crosswind Gear
232-650	Bearing Cover (Open)
233-650	Bearing Cover (Closed)