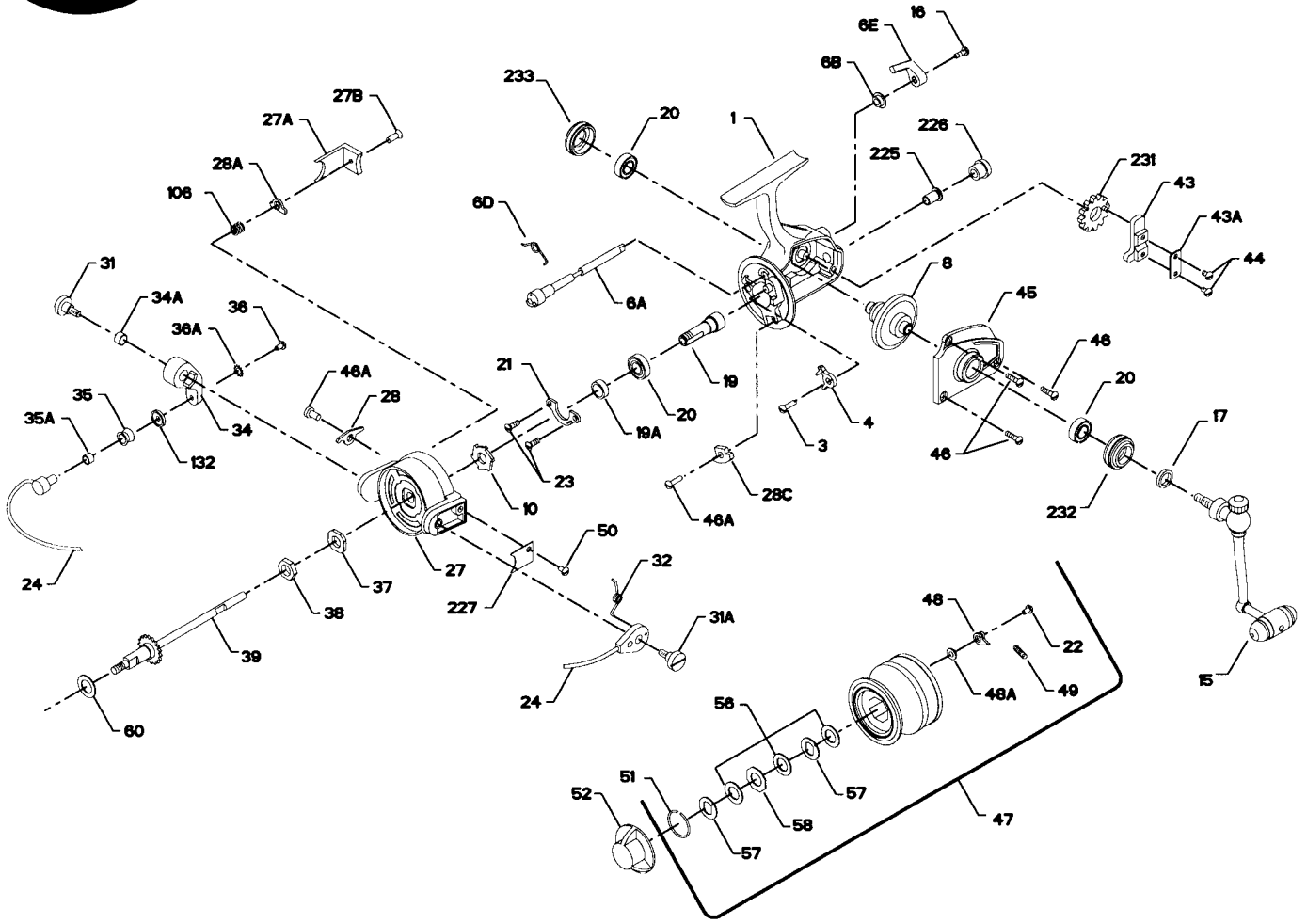




PARTS LIST FOR MODEL 450SS



KEY NO.	DESCRIPTION
1	Housing
3	Dog
4	Dog
6A	Eccentric
6B	Eccentric Liner
6D	Eccentric Spring
6E	Eccentric Lever
8	Main Gear
10	Ratchet
15	Handle (Complete)
16	Eccentric Screw
17	Seal Washer
19	Pinion
19A	Pinion Spacer
20	Ball Bearing
21	Bearing Cover
22	Spool Click Screw
23	Bearing Cover Screw (2 req.)
24	Bail Wire
27	Rotor
27A	Bail Trip Cover
27B	Rotor End Screw
28	Trip Lever
28A	Cam Lever
28C	Trip Cam
31	Bail Arm Screw
31A	Trip Arm Screw
32	Bail Spring
34	Bail Arm
34A	Bail Arm Bushing
35	Line Roller

PART NO.	DESCRIPTION
1-450	Housing
3-750	Dog
4-450	Dog
6A-450	Eccentric
6B-750	Eccentric Liner
6D-710	Eccentric Spring
6E-750	Eccentric Lever
8-450	Main Gear
10-550	Ratchet
15-450	Handle (Complete)
16-910	Eccentric Screw
17-450	Seal Washer
19-450	Pinion
19A-550	Pinion Spacer
20-722	Ball Bearing
21-450	Bearing Cover
22-750	Spool Click Screw
23-750	Bearing Cover Screw (2 req.)
24-440	Bail Wire
27-450	Rotor
27A-450	Bail Trip Cover
27B-420	Rotor End Screw
28-450	Trip Lever
28A-450	Cam Lever
28C-450	Trip Cam
31-550	Bail Arm Screw
31A-450	Trip Arm Screw
32-450	Bail Spring
34-450	Bail Arm
34A-550	Bail Arm Bushing
35-704	Line Roller

KEY NO.	DESCRIPTION
35A	Line Roller Bushing
36	Bail Stud Screw
36A	Lock Washer
37	Rotor Washer
38	Rotor Nut
39	Crosswind Shaft
43	Crosswind Block
43A	Crosswind Block Plate
44	Crosswind Block Screw
45	Housing Cover
46	Cover Screw (3 req.)
46A	Trip Cam Screw
47	Spool Complete
48	Click Tongue
48A	Click Tongue Washer
49	Click Tongue Spring
50	Bail Spring Cover Screw
51	Retaining Ring
52	Drag Knob
56	Drag Washer
57	Metal Slot Washer
58	Metal Washer (Octagon)
60	Thrust Washer (Teflon®)
106	Lever Spring
132	Roller Washer
225	Crosswind Shaft Bushing
226	Bushing Cap Cover
227	Bail Spring Cover
231	Crosswind Gear
232	Bearing Cover (Open)
233	Bearing Cover (Closed)

PART NO.	DESCRIPTION
35A-704	Line Roller Bushing
36-750	Bail Stud Screw
36A-750	Lock Washer
37-450	Rotor Washer
38-550	Rotor Nut
39-450	Crosswind Shaft
43-450	Crosswind Block
43A-450	Crosswind Block Plate
22-750	Crosswind Block Screw
45-450	Housing Cover
46-75	Cover Screw (3 req.)
46A-704	Trip Cam Screw
47-450	Spool Complete
48-450	Click Tongue
48A-750	Click Tongue Washer
49-710	Click Tongue Spring
50-712	Bail Spring Cover Screw
51-710	Retaining Ring
52-550	Drag Knob
56-710	Drag Washer
57-710	Metal Slot Washer
58-710	Metal Washer (Octagon)
60-450	Thrust Washer (Teflon®)
106-450	Lever Spring
132-450	Roller Washer
225-500	Crosswind Shaft Bushing
226-450	Bushing Cap Cover
227-450	Bail Spring Cover
231-450	Crosswind Gear
232-650	Bearing Cover (Open)
233-650	Bearing Cover (Closed)