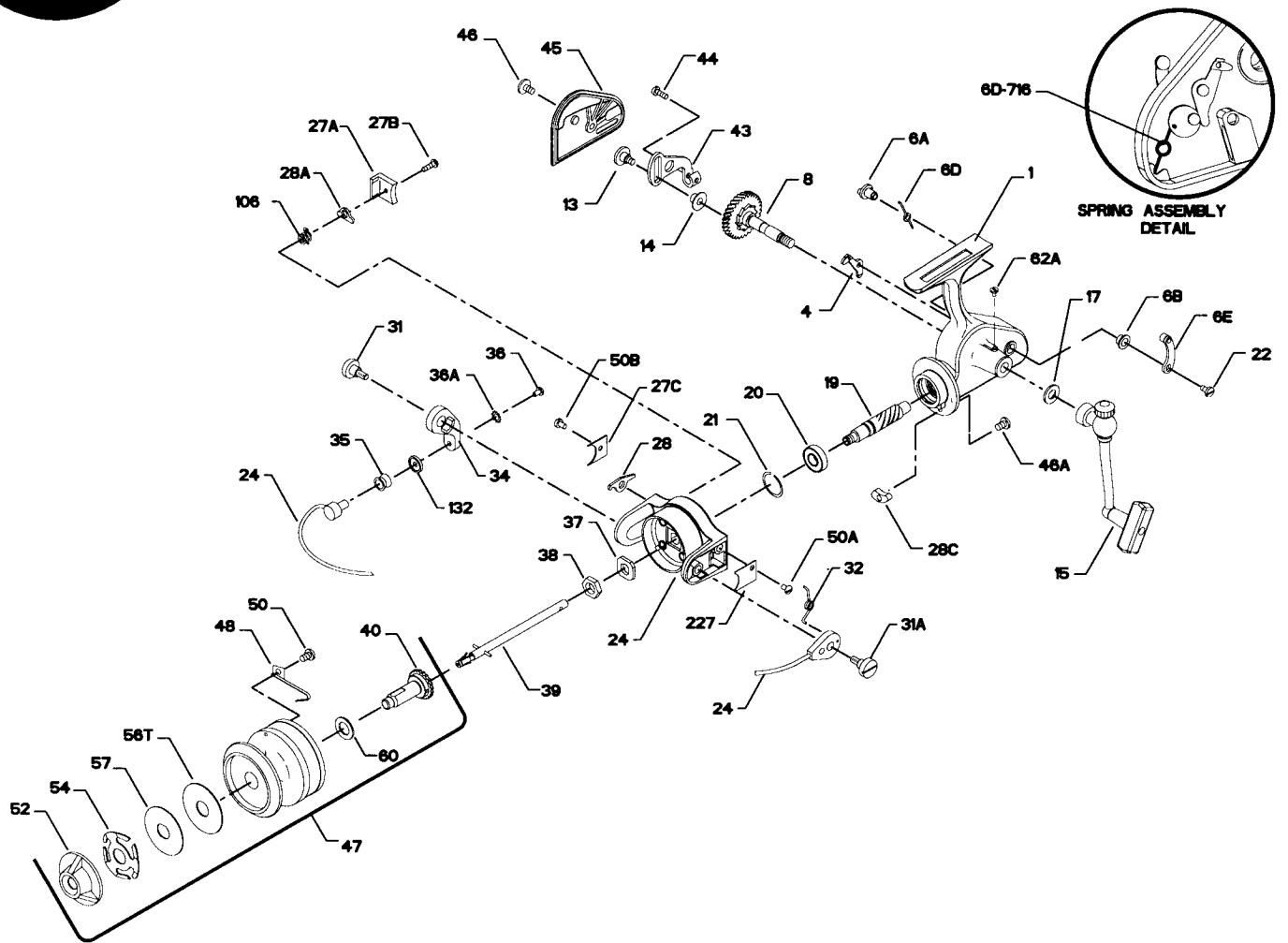




PARTS LIST FOR MODEL 420SS and 430SS



KEY NO.	DESCRIPTION	PART NO.	KEY NO.	DESCRIPTION	PART NO.
1	Housing w/Bushing	1-420	36	Bail Stud Screw	36-420
	Housing w/Bushing	1-430	36A	Lock Washer	36A-750
4	Dog	4-420	37	Rotor Cup Washer	37-420
6A	Eccentric	6A-716	38	Rotor Cup Nut	38-720
6B	Eccentric Liner	6B-700Z	39	Spool Shaft (Complete)	39-420
6D	Eccentric Spring	6D-716	40	Spool Sleeve (Complete)	40-716
6E	Eccentric Lever	6E-716	43	Crosswind Arm	43-716
7	Pinion Bushing	7-716	44	Crosswind Shaft Screw	44-716
8	Main Gear Ratchet & Shaft	8-420	45	Housing Cover	45-420
13	Crosswind Screw	13-716	46A	Housing Plate Screw	46A-704
14	Crosswind Roller	14-716	47	Spool (Complete)	47-420
15	Handle Complete ((420)	15-716Z		Spool (Complete)	47-430
	Handle Complete (430)	15-714Z	48	Click Spring	48-420
17	Handle Washer	17-716		Click Spring	48-430
19	Pinion Gear	19-420	50	Click Spring Screw	50-420
20	Ball Bearing	20-722	50A	Bail Spring Cover Screw	50-712
21	Bearing Retainer	21-722	50B	Trip Lever Cover Screw	50-716
22	Eccentric Screw	22-109	52	Drag Knob (420)	52-716Z
24	Bail Wire	24-420		Drag Knob (430)	52-714Z
	Bail Wire	24-430	54	Drag Spring (420)	54-716
27	Rotor Cup	27-420		Drag Spring (430)	54-714
	Rotor Cup	27-430	56T	Drag Washer (Teflon®) (420)	56T-716Z
27A	Bail Trip Cover	27A-420		Drag Washer (Teflon®) (430)	57T-714Z
27B	Bail Trip Cover Screw	27B-420	57	Metal (Keyed) Washer (420)	57-716
27C	Trip Lever Cover	27C-420		Metal (Keyed) Washer (430)	57-430
28	Trip Lever	28-420	60	Rear Drag Washer	60-716
28A	Cam Lever	28A-450	62A	Oiler Screw	62A-716
28C	Trip Cam	28C-420	106	Lever Spring	106-450
31	Bail Arm Screw	31-420	132	Roller Washer	132-420
31A	Bail Arm Screw	31A-420	227	Bail Spring Cover	227-420
32	Bail Spring	32-420			
34	Bail Arm	34-420			
35	Line Roller	35-420			