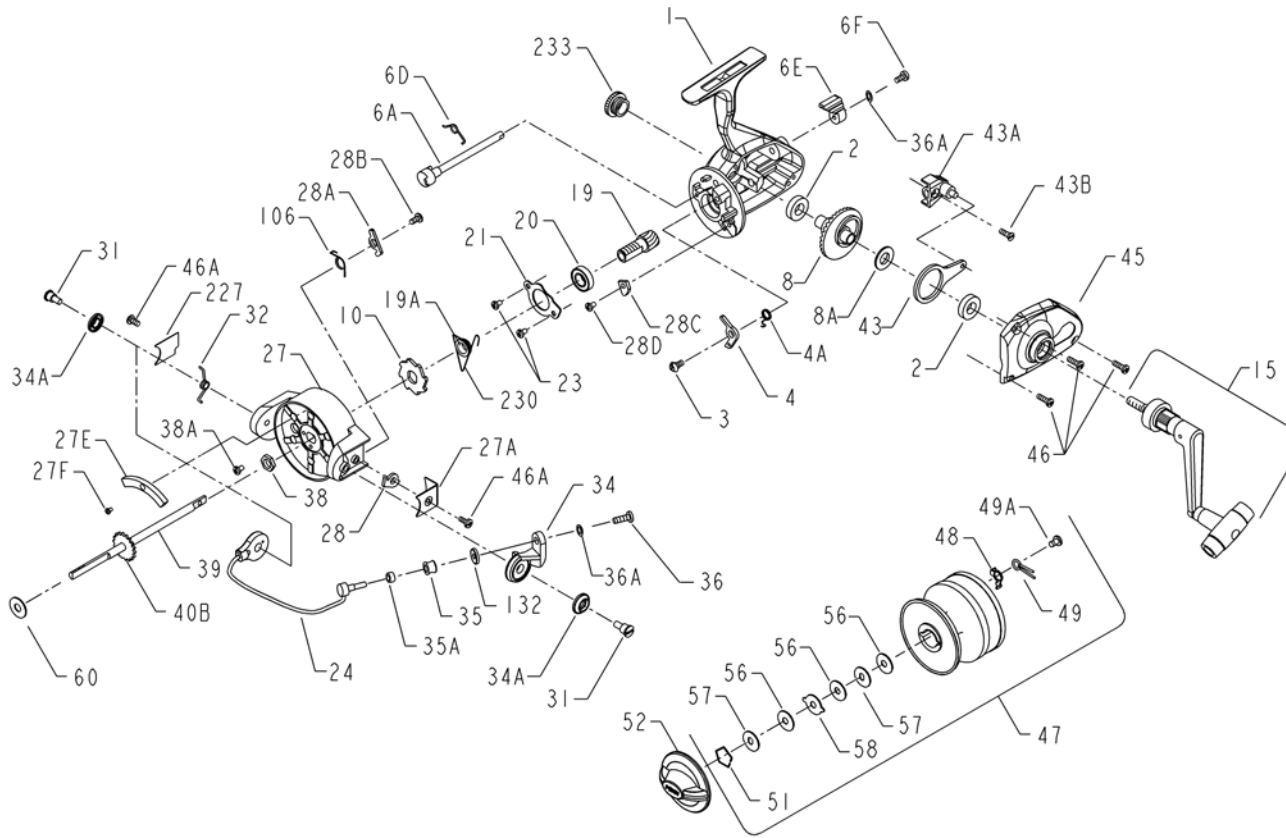


PENN® PARTS LIST FOR MODEL 105CS



KEY NO.	PART NO.	DESCRIPTION
1	001 105CS	Housing w/Bushing & Emblem
2	002 105	Housing Bushing (2 req.)
3	003 105C	Dog Mounting Screw
4	004 105C	Dog
4A	004A105CS	Dog Spring
6A	006A105C	Eccentric

KEY NO.	PART NO.	DESCRIPTION
6D	006D105	Eccentric Spring
6E	006E105	Eccentric Lever
6F	006F 105C	Eccentric Lever Mounting Screw
8	008 105C	Main Gear Assembly
8A	008A105	Main Gear Shim
10	010 105C	Anti-Reverse Ratchet
15	015 105CS	Handle (Complete)
19	019 105C	Pinion Gear
19A	019A105C	Pinion Gear Spacer
20	020 105C	Ball Bearing
21	021 105C	Bearing Cover
23	023 103	Bearing Cover Screw (2 req.)
24	024 105CS	Bail Wire
27	027 105CS	Rotor Cup
27A	027A105C	Rotor End Cover
27E	027E105CS	Balance Weight
27F	027F105CS	Balance Weight Screw
28	028 105C	Trip Lever
28A	028A105C	Cam Lever
28B	028B103	Cam Lever Mounting Screw
28C	028C105C	Trip Cam
28D	046A103	Cam Mount Screw
31	031 103	Bail Arm Screw (2 req.)
32	032 105C	Bail Spring
34	034 105CS	Bail Arm
34A	034A103	Bail Arm Spacer
35	035 103CS	Line Roller
35A	035A103CS	Line Roller Bushing
36	036 103CS	Bail Stud Screw
36A	036A103	Lock Washer (2 req.)
38	038 105	Rotor Nut
38A	038A103CS	Rotor Nut Screw
39	039 105CS	Crosswind Shaft
40B	040B105CS	Click Ratchet
43	043 105C	Crosswind Arm
43A	043A105C	Crosswind Block
43B	043B105	Crosswind Arm Screw
45	045 105CS	Housing Cover w/Bushing
46	046 103	Housing Cover Screw (4 req.)
46A	046A103	Rotor End Cover Screw (2 req.)
47	047 105CS	Spool (Complete)
48	048 103CS	Click Tongue
49	049 103CS	Click Spring
49A	022 103CS	Click Spring Screw
51	051 105	Retaining Ring
52	052 105CS	Drag Knob
56	056T105	Drag Washer (Teflon) (3 req.)
57	057 105	Drag Washer (Keyed) (2 req.)
58	058 105	Drag Washer (Ear)
60	060 103	Thrust Washer (Teflon)
106	106 105C	Cam Lever Spring
132	132 103CS	Roller Washer
227	227 105C	Bail Spring Cover
230	230 105C	Silent Dog Spring
233	233 105	Housing Handle Cap