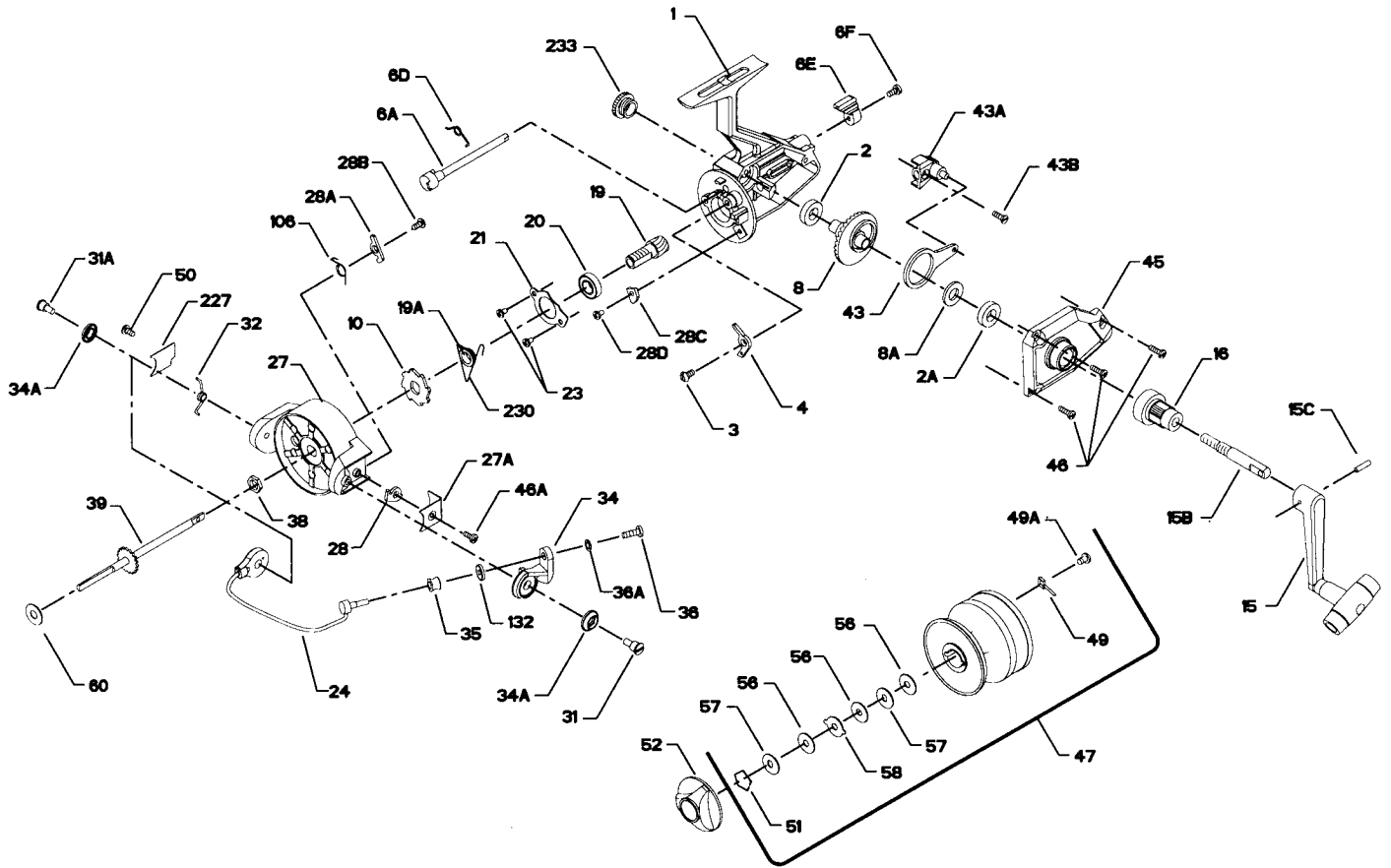




PARTS LIST FOR MODEL 105C



KEY NO.	DESCRIPTION	PART NO.	KEY NO.	DESCRIPTION	PART NO.
1	Housing w/Bushing & Emblem	1-105C	31A	Bail Wire Mounting Screw	31A-103
2	Housing Bushing	2-105	32	Bail Spring	32-105C
2A	Cover Bushing	2-105	34	Bail Arm	34-105
3	Dog Mounting Screw	3-105C	34A	Bail Arm Spacer	34A-105
4	Dog w/Finger Spring	4-105C	35	Line Roller	35-105C
6A	Eccentric	6A-105C	36	Bail Stud Screw	36-105
6D	Eccentric Spring	6D-105	36A	Lock Washer	36A-105
6E	Eccentric Lever	6E-105	38	Rotor Nut	38-105
6F	Eccentric Lever Mounting Screw	31-101	39	Crosswind Shaft	39-105C
8	Main Gear Assembly	8-105C	43	Crosswind Arm	43-105C
8A	Main Gear Shim	8A-105	43A	Crosswind Block	43-105C
10	Anti-Reverse Ratchet	10-105C	43B	Crosswind Arm Screw	43B-105
15	Handle (Complete)	15-105	45	Housing Cover w/Bushing	45-105C
15B	Handle Shaft	15B-105	46	Housing Cover Screw (3 req.)	46-103
15C	Handle Pivot Pin	15C-105	46A	Rotor End Cover Screw	31-101
16	Handle Collar	16-105	47	Spool (Complete)	47-105C
19	Pinion Gear	19-105C	49	Click Spring	49-103
19A	Pinion Gear Spacer	19A-105C	49A	Click Spring Screw	28D-101
20	Ball Bearing	20-105C	50	Bail Spring Cover Screw	23-101
21	Bearing Cover	21-105C	51	Retaining Ring	51-105
23	Bearing Cover Screw (2 req.)	23-103	52	Drag Knob	52-105C
24	Bail Wire	24-105C	56	Drag Washer (Teflon®) (3 req.)	56T-105
27	Rotor Cup	27-105C	57	Drag Washer (Keyed) (2 req.)	57-105
27A	Rotor End Cover	27A-105C	58	Drag Washer (Ear)	58-105
28	Trip Lever	28-105C	60	Thrust Washer (Teflon®)	60-105
28A	Cam Lever	28A-105C	106	Cam Lever Spring	106-105C
28B	Cam Lever Mounting Screw	28B-105	132	Roller Washer	132-105C
28C	Trip Cam	28C-105C	227	Bail Spring Cover	227-105C
28D	Cam Mounting Screw	46A-103	230	Silent Dog Spring	230-105C
31	Bail Arm Screw	31-103	233	Housing Handle Cap	233-105