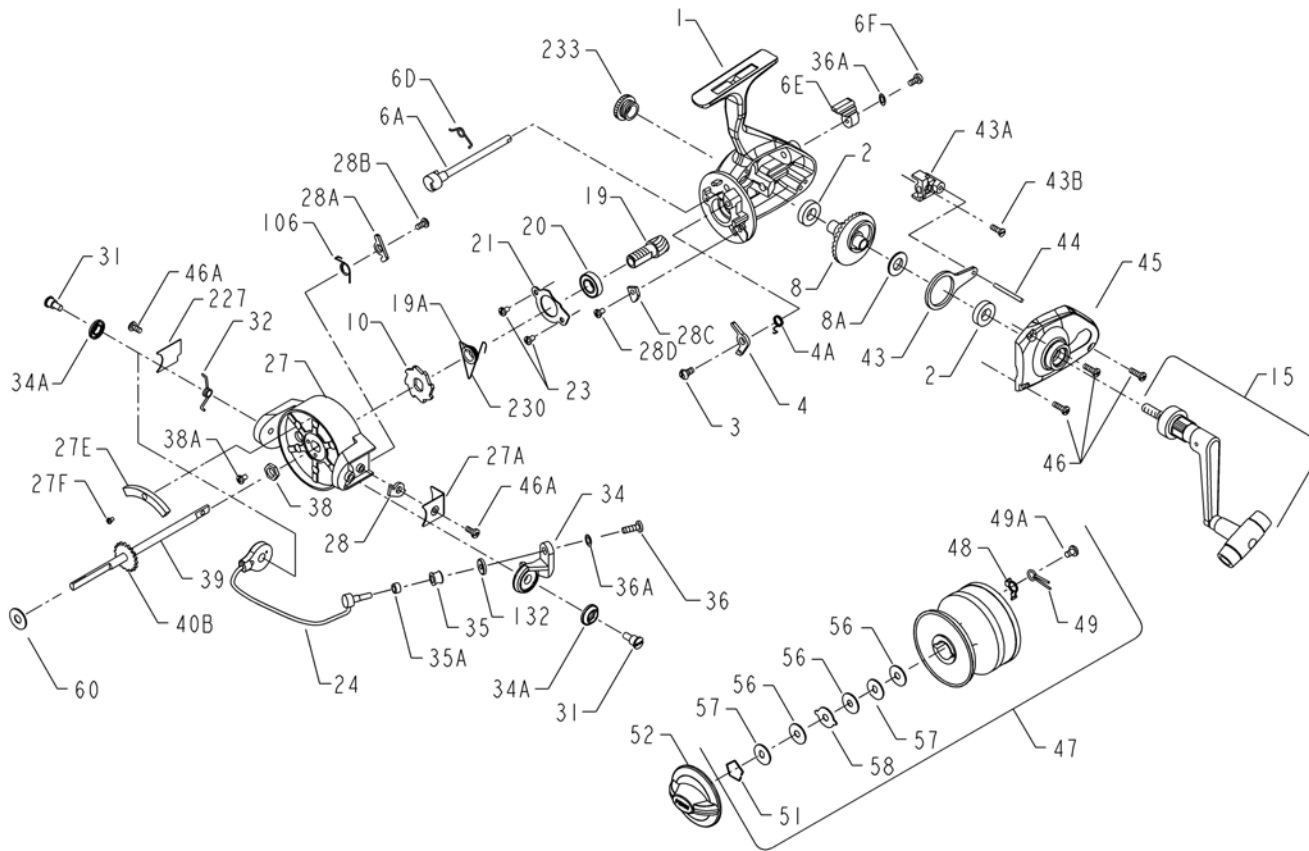


**PENN** PARTS LIST FOR MODEL 104CS



| KEY NO. | PART NO.  | DESCRIPTION                    |
|---------|-----------|--------------------------------|
| 6D      | 006D104   | Eccentric Spring               |
| 6E      | 006E103   | Eccentric Lever                |
| 6F      | 006F101   | Eccentric Lever Mounting Screw |
| 8       | 008 104   | Main Gear Assembly             |
| 8A      | 008A103   | Main Gear Shim                 |
| 10      | 010 104   | Anti-Reverse Ratchet           |
| 15      | 015 104CS | Handle (Complete)              |
| 19      | 019 104   | Pinion Gear                    |
| 19A     | 019A104CS | Pinion Gear Spacer             |
| 20      | 020 104   | Ball Bearing                   |
| 21      | 021 104   | Bearing Cover                  |
| 23      | 023 103   | Bearing Cover Screw (2 req.)   |
| 24      | 024 104CS | Bail Wire                      |
| 27      | 027 104CS | Rotor Cup                      |
| 27A     | 027A104   | Rotor End Cover                |
| 27E     | 027E104CS | Balance Weight                 |
| 27F     | 027F104CS | Balance Weight Screw           |
| 28      | 028 104   | Trip Lever                     |
| 28A     | 028A104   | Cam Lever                      |
| 28B     | 028B103   | Cam Lever Mounting Screw       |
| 28C     | 028C104   | Trip Cam                       |
| 28D     | 046A103   | Cam Mount Screw                |
| 31      | 031 103   | Bail Arm Screw                 |
| 32      | 032 104   | Bail Spring                    |
| 34      | 034 104CS | Bail Arm                       |
| 34A     | 034A103   | Bail Arm Spacer                |
| 35      | 035 103CS | Line Roller                    |
| 35A     | 035A103CS | Line Roller Bushing            |
| 36      | 036 103CS | Bail Stud Screw                |
| 36A     | 036A103   | Lock Washer (2 req.)           |
| 38      | 038 104   | Rotor Nut                      |
| 38A     | 038A103CS | Rotor Nut Screw                |
| 39      | 039 104CS | Crosswind Shaft                |
| 40B     | 040B104CS | Click Ratchet                  |
| 43      | 043 104   | Crosswind Arm                  |
| 43A     | 043A104CS | Crosswind Block                |
| 43B     | 043B105   | Crosswind Arm Screw            |
| 44      | 044 104   | Crosswind Arm Pin              |
| 45      | 045 104CS | Housing Cover w/Bushing        |
| 46      | 046 103   | Housing Cover Screw (3 req.)   |
| 46A     | 046A103   | Rotor End Cover Screw (2 req.) |
| 47      | 047 104CS | Spool (Complete)               |
| 48      | 048 103CS | Click Tongue                   |
| 49      | 049 103CS | Click Spring                   |
| 49A     | 022 103CS | Click Spring Screw             |
| 51      | 051 104   | Retaining Ring                 |
| 52      | 052 104CS | Drag Knob                      |
| 56      | 056T104   | Drag Washer (Teflon) (3 req.)  |
| 57      | 057 104   | Drag Washer (Keyed) (2 req.)   |
| 58      | 058 104   | Drag Washer (Ear)              |
| 60      | 060 103   | Thrust Washer (Teflon)         |
| 106     | 106 104   | Cam Lever Spring               |
| 132     | 132 103CS | Roller Washer                  |
| 227     | 227 104   | Bail Spring Cover              |
| 230     | 230 104CS | Silent Dog Spring              |

| KEY NO. | PART NO.  | DESCRIPTION                |
|---------|-----------|----------------------------|
| 1       | 001 104CS | Housing w/Bushing & Emblem |
| 2       | 002 103   | Housing Bushing (2 req.)   |
| 3       | 003 104   | Dog Mounting Screw         |
| 4       | 004 104CS | Dog                        |
| 4A      | 004A104CS | Dog Spring                 |
| 6A      | 006A104CS | Eccentric                  |