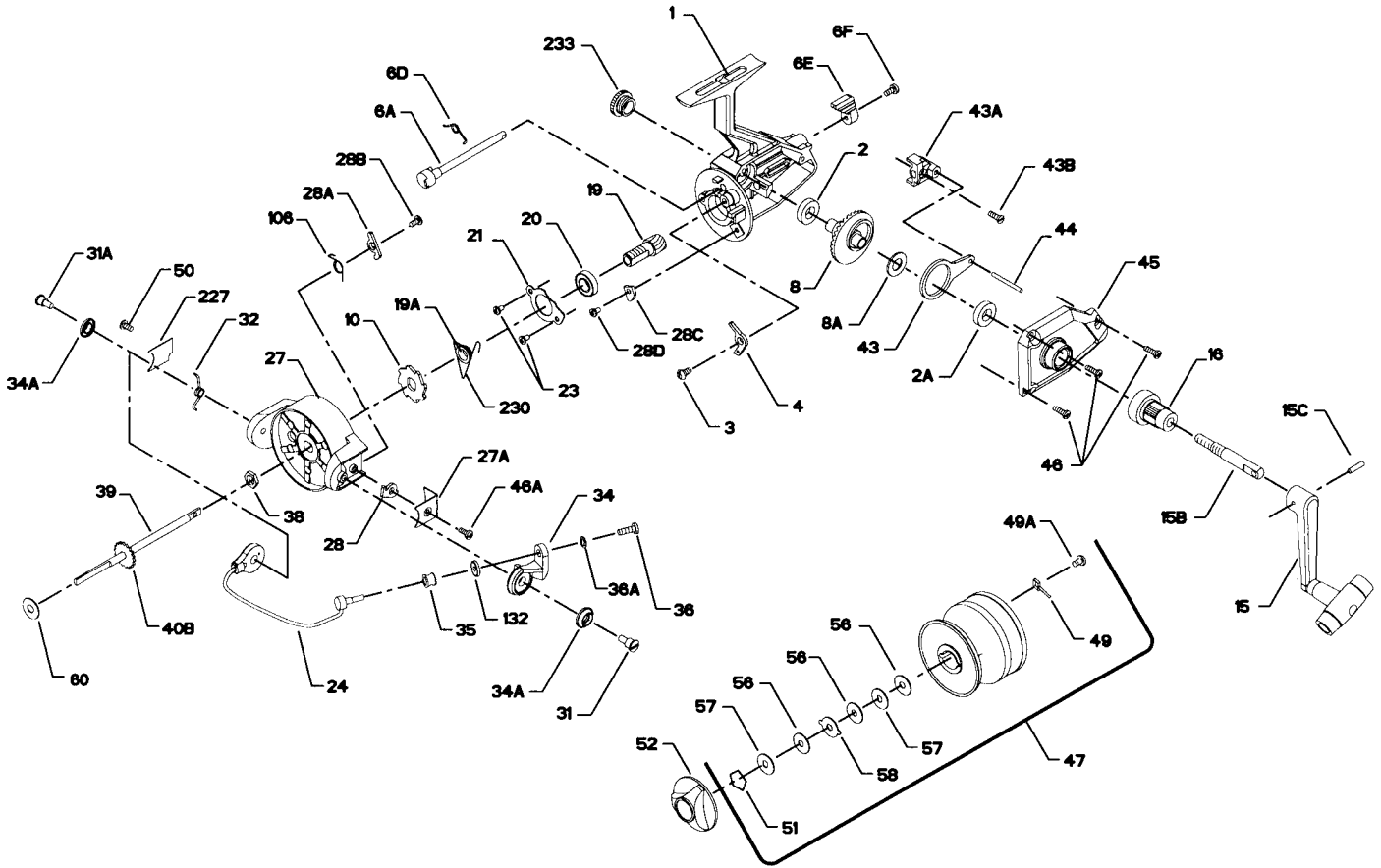




PARTS LIST FOR MODEL 104



KEY NO.	DESCRIPTION	PART NO.	KEY NO.	DESCRIPTION	PART NO.
1	Housing w/Bushing & Emblem	1-104	32	Bail Spring	32-104
2	Housing Bushing	2-103	34	Bail Arm	34-104
2A	Cover Bushing	2A-103	34A	Bail Arm Spacer	34A-105
3	Dog Mounq Screw	3-104	35	Line Roller	35-104
4	Dog w/Finger Spring	4-104	36	Bail Stud Screw	36-104
6A	Eccentric	6A-104	36A	Lock Washer	36A-105
6D	Eccentric Spring	6D-104	38	rotor Nut	38-104
6E	Eccentric Lever	6E-103	39	Crosswind Shaft	39-104
6F	Eccentric Lever Mounq Screw	6F-101	40B	Click Ratchet	40B-104
8	Main Gear Assembly	8-104	43	Crosswind Arm	43-104
8A	Main Gear Shim	8A-104	43A	Crosswind Block	43A-104
10	Anti-Reverse Ratchet	10-104	43B	Crosswind Arm Screw	43B-105
15	Handle (Complete)	15-104	44	Crosswind Arm Pin	44-104
15B	Handle Shaft	15B-104	45	Housing Cover w/Bushing	45-104
15C	Handle Pivot Pin	15C-103	46	Housing Cover Screw (2 req.)	46-103
16	Handle Collar	16-103	46A	Rotor End Cover Screw	31-101
19	Pinion Gear	19-104	47	Spool (Complete)	47-104
19A	Pinion Gear Spacer	19A-104	49	Click Spring	49-103
20	Ball Bearing	20-104	49A	Click Spring Screw	3-101
21	Bearing Cover	21-104	50	Bail Spring Cover Screw	50-104
23	Bearing Cover Screw (2 req.)	23-104	51	Retaining Ring	51-104
24	Bail Wire	24-104	52	Drag Knob	52-104
27	Rotor Cup	27-104	56	Drag Washer (Teflon®) (3 req.)	56T-104
27A	Rotor End Cover	27A-104	57	Drag Washer (Keyed) (2 req.)	57-104
28	Trip Lever	28-104	58	Drag Washer (Ear)	58-104
28A	Cam Lever	28A-104	60	Thrust Washer (Teflon®)	60-103
28B	Cam Lever Mounting Screw	28B-104	106	Cam Lever Spring	106-104
28C	Trip Cam	28C-104	132	Roller Washer	132-104
28D	Cam Mounting Screw	46A-103	227	Bail Spring Cover	227-104
31	Bail Arm Screw	31-103	230	Silent Dog Spring	230-103C
31A	Bail Wire Mounting Screw	31-103	233	Housing Handle Cap	233-104