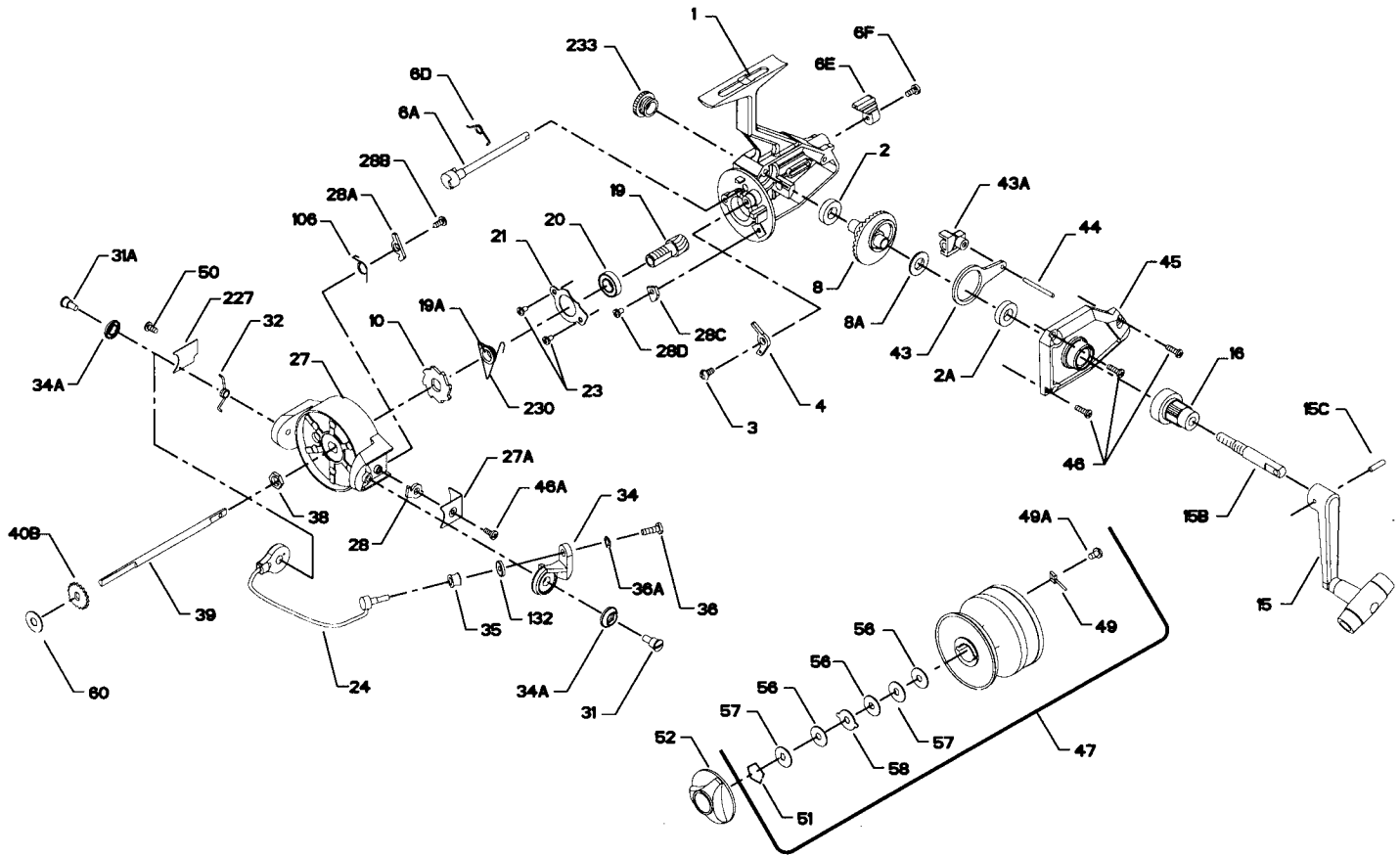




PARTS LIST FOR MODEL 103C



KEY NO.	DESCRIPTION	PART NO.	KEY NO.	DESCRIPTION	PART NO.
1	Housing w/Bushing & Emblem	1-103C	32	Bail Spring	32-103
2	Housing Bushing	2-103	34	Bail Arm	34-103
2A	Cover Bushing	2-103	34A	Bail Arm Spacer	34A-103
3	Dog Mounting Screw	3-103	35	Line Roller	35-103
4	Dog w/Finger Spring	4-103C	36	Bail Stud Screw	36-101
6A	Eccentric	6A-103	36A	Lock Washer	36A-103
6D	Eccentric Spring	6D-103	38	Rotor Nut	38-103
6E	Eccentric Lever	6E-103	39	Crosswind Shaft	39-103C
6F	Eccentric Lever Mounting Screw	6F-101	40B	Click Ratchet	40B-103
8	Main Gear Assembly	8-103C	43	Crosswind Arm	43-103
8A	Main Gear Shim	8A-103	43A	Crosswind Block	43A-103C
10	Anti-Reverse Ratchet	10-103C	44	Crosswind Arm Pin	44-103C
15	Handle	15-103	45	Housing Cover w/Bushing	45-103C
15B	Handle Shaft	15B-103	46	Housing Cover Screw (3 req.)	46-103
15C	Handle Pivot Pin	15C-103	46A	Rotor End Cover Screw	46A-103
16	Handle Collar	16-103	47	Spool (Complete)	47-103
19	Pinion Gear	19-103C	49	Click Spring	49-103
19A	Pinion Gear Spacer	19A-103	49A	Click Spring Screw	3-101
20	Ball Bearing	20-103	50	Bail Spring Cover Screw	23-103
21	Bearing Cover	21-103C	51	Retaining Ring	51-103
23	Bearing Cover Screw (2 req.)	23-103	52	Drag Knob (Complete)	52-103
24	Bail Wire	24-103	56	Drag Washer (Teflon®) (3 req.)	56T-103
27	Rotor Cup	27-103C	57	Drag Washer (Keyed) (2 req.)	57-103
27A	Rotor End Cover	27A-103	58	Drag Washer (Ear)	58-103
28	Trip Lever	28-103	60	Thrust Washer (Teflon®)	60-103
28A	Cam Lever	28A-103	106	Cam Lever Spring	106-103
28B	Cam Lever Mounting Screw	28B-103	132	Roller Washer	132-103
28C	Trip Cam	28C-103	227	Bail Spring Cover	227-103
28D	Cam Mounting Screw	46A-103	230	Silent Dog Spring	230-103C
31	Bail Arm Screw	31-103	233	Housing Handle Cap	233-103
31A	Bail Wire Mounting Screw	31-103			