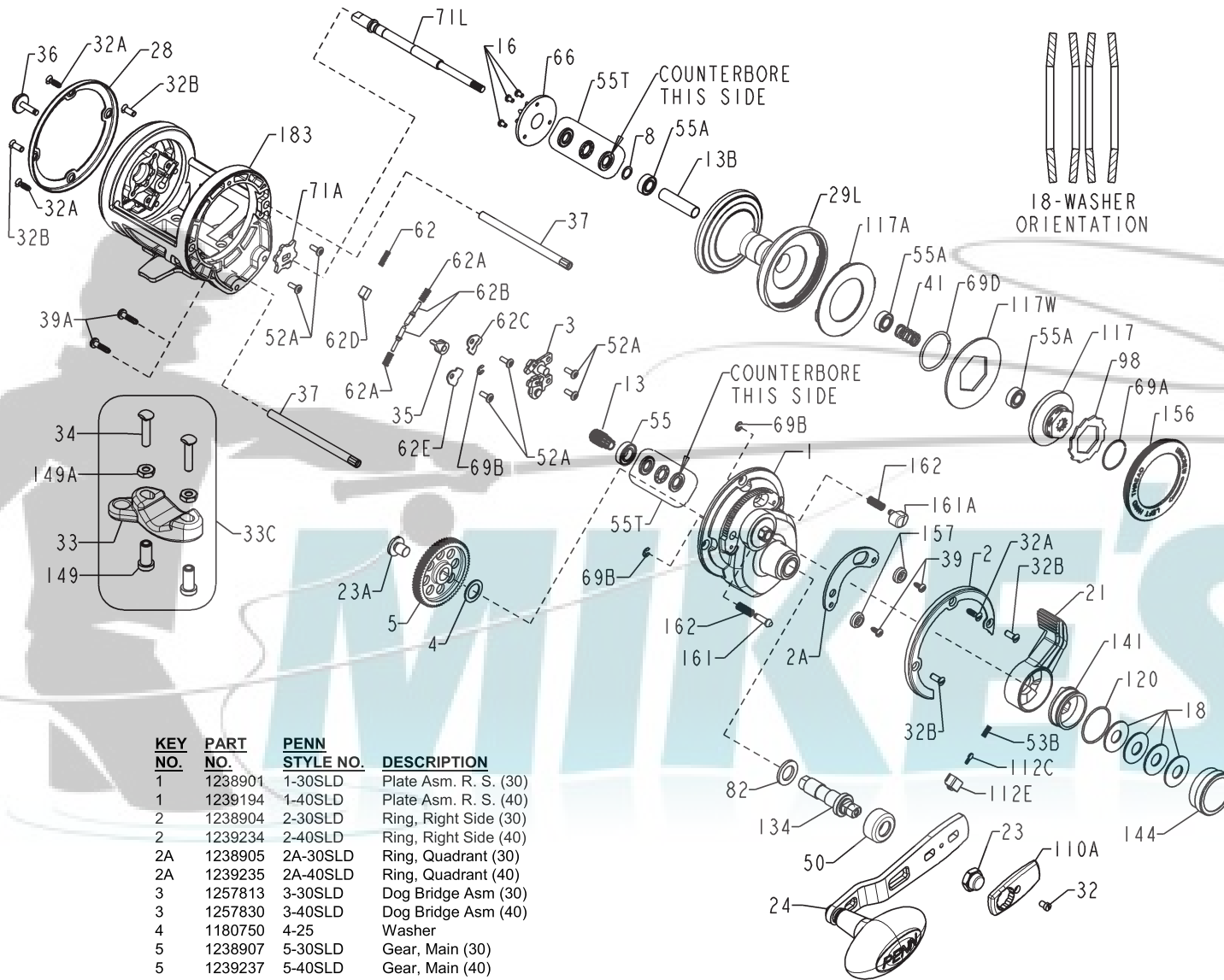




PARTS LIST FOR MODEL SQL30LD & SQL40LD

REEL ASM NOs. 1206093 (SQL30LD) & 1206094 (SQL40LD)



| KEY NO. | PART NO. | PENN STYLE NO. | DESCRIPTION |
|---------|----------|----------------|-----------------------------|
| 1 | 1238901 | 1-30SLD | Plate Asm. R. S. (30) |
| 1 | 1239194 | 1-40SLD | Plate Asm. R. S. (40) |
| 2 | 1238904 | 2-30SLD | Ring, Right Side (30) |
| 2 | 1239234 | 2-40SLD | Ring, Right Side (40) |
| 2A | 1238905 | 2A-30SLD | Ring, Quadrant (30) |
| 2A | 1239235 | 2A-40SLD | Ring, Quadrant (40) |
| 3 | 1257813 | 3-30SLD | Dog Bridge Asm (30) |
| 3 | 1257830 | 3-40SLD | Dog Bridge Asm (40) |
| 4 | 1180750 | 4-25 | Washer |
| 5 | 1238907 | 5-30SLD | Gear, Main (30) |
| 5 | 1239237 | 5-40SLD | Gear, Main (40) |
| 8 | 1257843 | 8-30SLD | Washer, Crescent |
| 13 | 1238908 | 13-30SLD | Pinion (30) |
| 13 | 1239238 | 13-40SLD | Pinion (40) |
| 13B | 1257816 | 13B-30SLD | Sleeve, Spindle |
| 16 | 1181587 | 16-975LD | Screw (3 Req) |
| 18 | 1238909 | 18-30SLD | Washer, Spring (30) (4 Req) |
| 18 | 1239239 | 18-40SLD | Washer, Spring (40) (4 Req) |

| KEY NO. | PART NO. | PENN STYLE NO. | DESCRIPTION |
|---------|----------|----------------|------------------------------|
| 21 | 1238910 | 21-30SLD | Lever, Drag (30) |
| 21 | 1239240 | 21-40SLD | Lever, Drag (40) |
| 23 | 1229462 | 23-TRQ40 | Nut, Handle |
| 23A | 1181930 | 23-6CH | Screw, Main Gear |
| 24 | 1229501 | 24-TRQ40 | Assembly, Handle |
| 28 | 1238922 | 28-30SLD | Ring, Left Side (30) |
| 28 | 1239241 | 28-40SLD | Ring, Left Side (40) |
| 29L | 1238923 | 29L-30SLD | Spool (30) |
| 29L | 1239242 | 29L-40SLD | Spool (40) |
| 32 | 1182708 | 32-15 | Screw, Handle Lock |
| 32A | 1238924 | 32-30SLD | Screw (3 Req) |
| 32B | 1182722 | 32-310 | Screw (4 Req) |
| 33 | 1182754 | 33-113 | Rod Clamp |
| 33C | 1238925 | 33C 30SLD | Kit, Rod Clamp |
| 34 | 1182788 | 34-45 | Screw, Rod Clamp (2 Req) |
| 35 | 1238939 | 35-30SLD | Tongue, Click |
| 36 | 1238940 | 36-30SLD | Button, Click |
| 37 | 1238941 | 37-30SLD | Bar, Spacer (2 Req) |
| 39 | 1238942 | 39-30SLD | Screw (2 Req) |
| 39A | 1258668 | 39A-30SLD | Screw Thread Cutting (2 Req) |
| 41 | 1238943 | 41-30SLD | Spring |
| 50 | 1238944 | 50-30SLD | Shield, Gear Stud |
| 52A | 1183843 | 52A-260 | Screw (6 Req) |
| 53B | 1183848 | 53B-5600 | Spring Drag Knob Click |
| 55 | 1238945 | 55-30SLD | Bearing (14x7x4) |
| 55A | 1238912 | 55A-50SLD | Bearing (12x6x4) (3 Req) |
| 55T | 1238913 | 55T-30SLD | Bearing Assembly (2 Req) |
| 62 | 1236596 | 62-TRQ40 | Spring |
| 62A | 1184033 | 62A-310 | Spring (2 Req) |
| 62B | 1184037 | 62B-525 | Pin, Click (2 Req) |
| 62C | 1238914 | 62C-30SLD | Plate, Click Retaining |
| 62D | 1230189 | 62A-TRQ40 | Block, Click Button Locator |
| 62E | 1184041 | 62C-321LH | Plate, Click Retaining |
| 66 | 1238915 | 66-30SLD | Ratchet, Click |
| 69A | 1238916 | 69A-30SLD | Ring, Retaining, Round |
| 69B | 1184125 | 69B-50 | Ring, Retaining, "E" (3 Req) |
| 69D | 1238917 | 69D-30SLD | Ring, Retaining, Round |
| 71A | 1238918 | 71A-30SLD | Plate, Spindle Locking |
| 71L | 1238919 | 71L-30SLD | Spindle |
| 82 | 1184220 | 82-25 | Washer |
| 98 | 1238980 | 98-30SLD | Ratchet |
| 110A | 1238983 | 110A-30SLD | Plate, Handle Nut Locking |
| 112C | 1238984 | 112C-30SLD | Pin, Click |
| 112E | 1238985 | 112E-30SLD | Housing Lever Click |
| 117 | 1238987 | 117-30SLD-1 | Drive Plate (30) |
| 117 | 1239245 | 117-40SLD-1 | Drive Plate (40) |
| 117A | 1238990 | 117A-30SLD | Drag Washer, Asm (30) |
| 117A | 1239247 | 117A-40SLD | Drag Washer, Asm (40) |
| 117W | 1238993 | 117W-30SLD | Drag Washer, Metal (30) |
| 117W | 1239249 | 117W-40SLD | Drag Washer, Metal (40) |
| 120 | 1238994 | 120-30SLD | O-Ring |
| 134 | 1238995 | 134-30SLD | Gear Stud |
| 141 | 1238996 | 141-30SLD | Follower, Cam (30) |
| 141 | 1239195 | 141-40SLD | Follower, Cam (40) |
| 144 | 1238997 | 144-30SLD | Knob, Preset (30) |
| 144 | 1257831 | 144-40SLD | Knob, Preset (40) |
| 149 | 1184702 | 149-45 | Rod Clamp Nut (2 Req) |
| 149A | 1184706 | 149-200 | Hex Nut (2 Req) |
| 156 | 1239001 | 156-30SLD | Cover, Drag (30) |
| 156 | 1239250 | 156-40SLD | Cover, Drag (40) |
| 157 | 1239002 | 157-30SLD | Bushing, Quadrant (2 Req) |
| 161 | 1239011 | 161-30SLD | Button, Free Spool |
| 161A | 1184787 | 161-40 | Button, Strike |
| 162 | 1318280 | 162-TRQ40NLD2 | Spring (2 Req) |
| 183 | 1239012 | 183-30SLD | Frame, Complete Asm (30) |
| 183 | 1239251 | 183-40SLD | Frame, Complete Asm (40) |