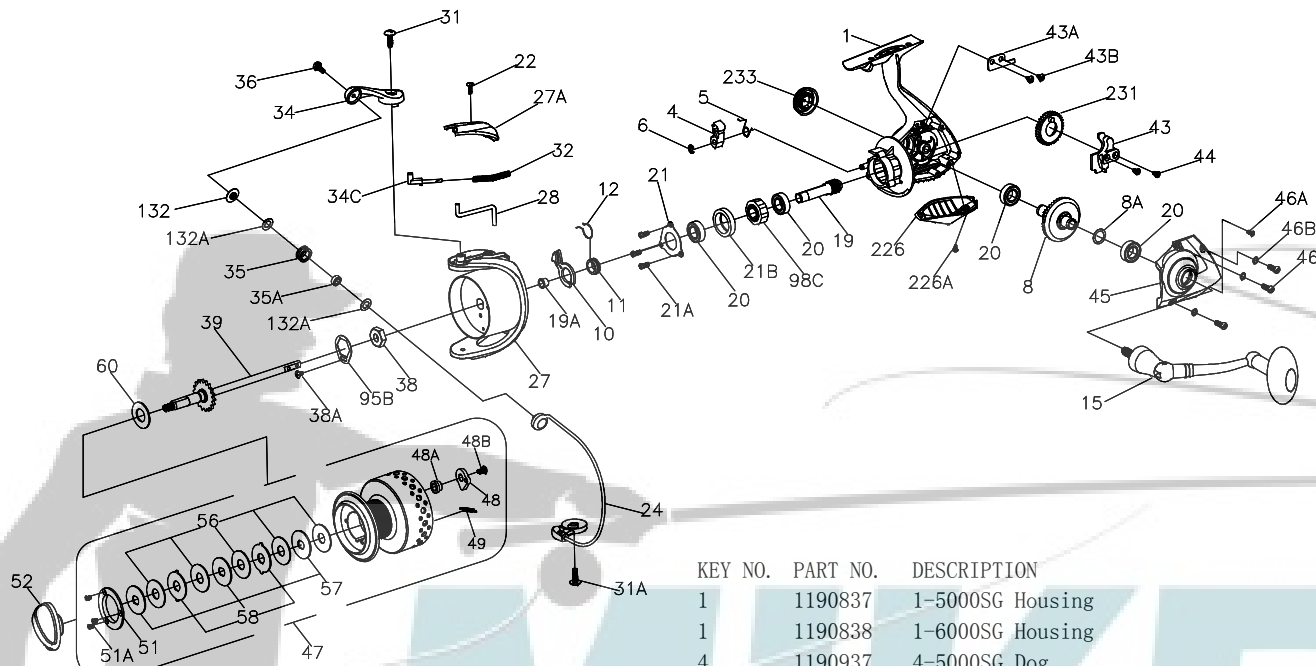




PARTS LIST FOR MODELS SG5000/SG6000
REEL PART NO.1152121/1152122



| KEY NO. | PART NO. | DESCRIPTION |
|---------|----------|-------------------------------------------|
| 1 | 1190837 | 1-5000SG Housing |
| 1 | 1190838 | 1-6000SG Housing |
| 4 | 1190937 | 4-5000SG Dog |
| 5 | 1190966 | 5-5000SG Dog Spring |
| 6 | 1190979 | 6-5000SG Retaining Clip |
| 8 | 1191019 | 8-5000SG Main Gear |
| 8A | 1191030 | 8A-5000SG Shim |
| 10 | 1191066 | 10-5000SG A/R Holder |
| 11 | 1191085 | 11-5000SG Bushing |
| 12 | 1191090 | 12-5000SG A/R Bushing Spring |
| 15 | 1211609 | 15-5000BTL Handle Assembly |
| 19 | 1191240 | 19-5000SG Pinion |
| 19A | 1191253 | 19A-5000SG Pinion Bushing |
| 20 | 1192613 | 20-5000SG Ball Bearing (4 req) |
| 21 | 1192636 | 21-5000SG Bearing Retainer |
| 21A | 1192645 | 21A-5000SG Bearing Retainer Screw (3 req) |
| 21B | 1192650 | 21B-5000SG Collar |
| 22 | 1192661 | 22-5000SG Bail Pivot Cover Screw |
| 24 | 1191309 | 24-5000SG Bail Wire Assembly |
| 24 | 1191314 | 24-6000SG Bail Wire Assembly |
| 27 | 1191415 | 27-5000SG Rotor (w/weight & screw) |
| 27 | 1191419 | 27-6000SG Rotor (w/weight & screw) |
| 27A | 1191451 | 27A-5000SG Bail Pivot Cover |
| 27A | 1200071 | 27A-6000SG Bail Pivot Cover |

| KEY NO. | PART NO. | DESCRIPTION |
|---------|----------|------------------------------------------------|
| 28 | 1191486 | 28-5000SG Trip Lever |
| 28 | 1191489 | 28-6000SG Trip Lever |
| 31 | 1191569 | 31-5000SG Bail Arm Screw |
| 31A | 1191575 | 31A-5000SG Bail Cam Screw |
| 32 | 1191587 | 32-5000SG Bail Spring |
| 32 | 1200520 | 32-6000SG Bail Spring |
| 34 | 1191631 | 34-5000SG Bail Arm |
| 34 | 1200521 | 34-6000SG Bail Arm |
| 34C | 1191652 | 34C-5000SG Pivot Arm |
| 35 | 1191674 | 35-3000SG Line Roller |
| 35A | 1191683 | 35A-3000SG Line Roller Bearing |
| 36 | 1191703 | 36-5000SG Bail Stud Screw |
| 38 | 1191729 | 38-5000SG Rotor Nut |
| 38A | 1191736 | 38A-5000SG Rotor Locking Plate Screw |
| 39 | 1191753 | 39-5000SG Spool Shaft |
| 39 | 1200205 | 39-6000SG Spool Shaft |
| 43 | 1191805 | 43-5000SG Crosswind Block |
| 43A | 1191820 | 43A-5000SG Crosswind Block Plate |
| 43B | 1191827 | 43B-5000SG Crosswind Block Plate Screw (2 req) |
| 44 | 1191845 | 44-5000SG Crosswind Block Screw (2 req) |
| 45 | 1191870 | 45-5000SG Housing Cover |
| 45 | 1191873 | 45-6000SG Housing Cover |
| 46 | 1191903 | 46-5000SG Housing Cover Screw (3 req) |
| 46A | 1191906 | 46A-3000SG Housing Cover Screw A |
| 46B | 1191908 | 46B-5000SG Housing Cover Washer (3 req) |
| 47 | 1191937 | 47-5000SG Spool Complete |
| 47 | 1191941 | 47-6000SG Spool Complete |
| 48 | 1211625 | 48-5000SG Click Tongue |
| 48A | 1211626 | 48A-5000SG Click Tongue Washer |
| 48B | 1211612 | 48B-5000SG Spool Click Screw |
| 49 | 1211627 | 49-5000SG Click Tongue Spring |
| 51 | 1191978 | 51-5000SG Retaining Spacer |
| 51A | 1191986 | 51A-3000SG Retaining Screw (3 req) |
| 52 | 1191997 | 52-5000SG Drag Knob |
| 56 | 1192036 | 56-5000SG Drag Washer (5 req) |
| 57 | 1192044 | 57-5000SG Keyed Washer (3 req) |
| 58 | 1192053 | 58-5000SG Earred Washer (2 req) |
| 60 | 1192062 | 60-5000SG Thrust Washer |
| 95B | 1192186 | 95B-5000SG Rotor Locking Plate |
| 98C | 1192215 | 98C-5000SG Clutch/Sleeve Assembly |
| 132 | 1192297 | 132-5000SG Roller Washer |
| 132A | 1192302 | 132A-3000SG Line Roller Washer (2 req) |
| 226 | 1192460 | 226-5000SG Rear Cover |
| 226A | 1192473 | 226A-3000SG Rear Cover Screw |
| 231 | 1192503 | 231-5000SG Crosswind Gear |
| 231 | 1200523 | 231-6000SG Crosswind Gear |
| 233 | 1192523 | 233-5000SG Bearing Cover |