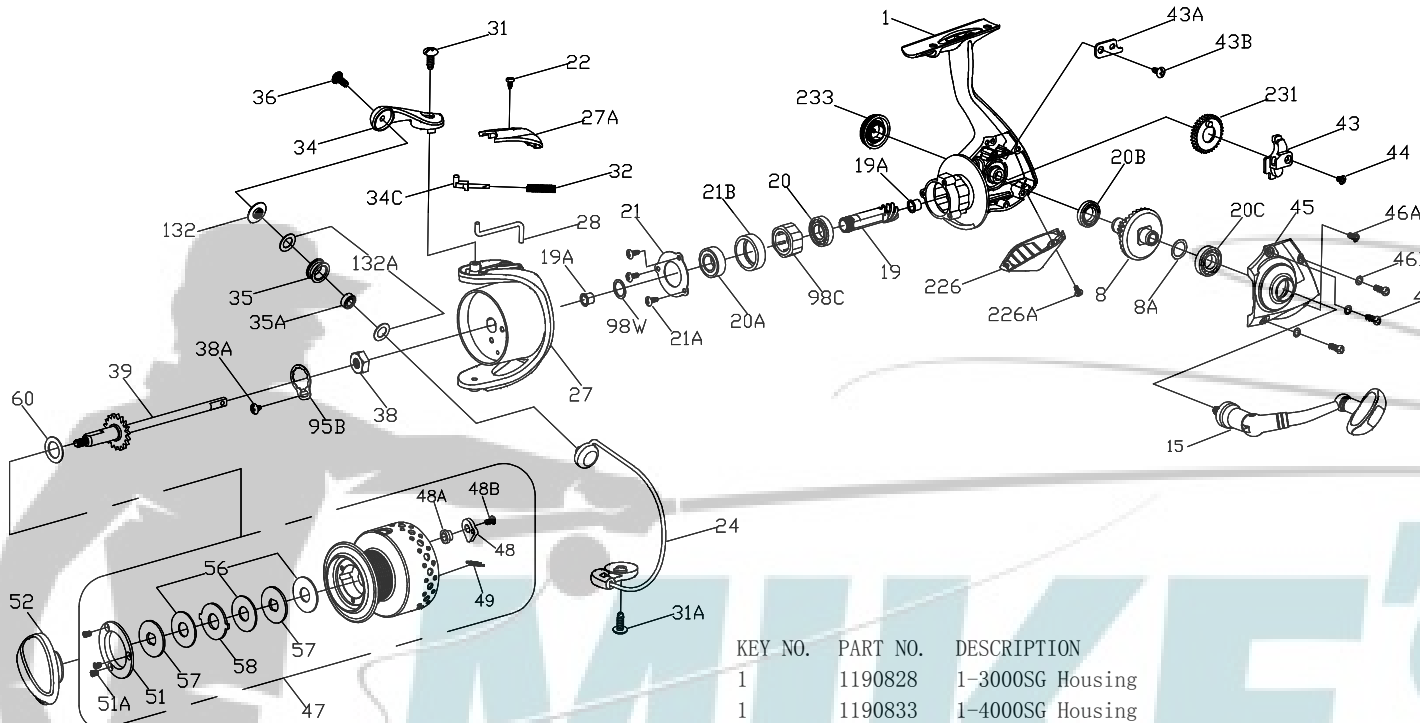




PARTS LIST FOR MODELS SG3000/SG4000  
REEL PART NO.1152119/1152120



KEY NO.	PART NO.	DESCRIPTION
28	1191483	28-3000SG Trip Lever
28	1191484	28-4000SG Trip Lever
31	1191567	31-3000SG Bail Arm Screw
31A	1191574	31A-3000SG Bail Cam Screw
32	1191586	32-3000SG Bail Spring
34	1191628	34-3000SG Bail Arm
34C	1191650	34C-3000SG Pivot Arm
35	1191674	35-3000SG Line Roller
35A	1191683	35A-3000SG Line Roller Bearing
36	1191699	36-3000SG Bail Stud Screw
38	1191728	38-3000SG Rotor Nut
38A	1191734	38A-3000SG Rotor Locking Plate Screw
39	1191747	39-3000SG Spool Shaft
39	1200204	39-4000SG Spool Shaft
43	1191800	43-3000SG Crosswind Block
43	1200531	43-4000SG Crosswind Block
43A	1191818	43A-3000SG Crosswind Block Plate
43B	1191826	43B-3000SG Crosswind Block Plate Screw
44	1191843	44-3000SG Crosswind Block Screw
45	1191858	45-3000SG Housing Cover
45	1191863	45-4000SG Housing Cover
46	1191901	46-3000SG Housing Cover Screw (3 req)
46A	1191906	46A-3000SG Housing Cover Screw A
46B	1191907	46B-3000SG Housing Cover Washer (3 req)
47	1200206	47-3000SG Spool Complete
47	1191925	47-4000SG Spool Complete
48	1211604	48-3000SG Click Tongue
48A	1214226	48A-3000SG Click Tongue Washer
48B	1214189	48B-3000SG Spool Click Screw
49	1211605	49-3000SG Click Tongue Spring
51	1191976	51-3000SG Retaining Spacer
51A	1191986	51A-3000SG Retaining Screw (3 req)
52	1191995	52-3000SG Drag Knob
56	1192035	56-3000SG Drag Washer (3 req)
57	1192043	57-3000SG Keyed Washer (2 req)
58	1192052	58-3000SG Earred Washer
60	1192060	60-3000SG Thrust Washer
95B	1192185	95B-3000SG Rotor Locking Plate
98C	1192212	98C-3000SG Clutch/Sleeve Assembly
98W	1192229	98W-3000SG Clutch Washer
132	1192296	132-3000SG Roller Washer
132A	1192302	132A-3000SG Line Roller Washer (2 req)
226	1192457	226-3000SG Rear Cover
226A	1192473	226A-3000SG Rear Cover Screw
231	1192498	231-3000SG Crosswind Gear
231	1200522	231-4000SG Crosswind Gear
233	1192519	233-3000SG Bearing Cover
1	1190828	1-3000SG Housing
1	1190833	1-4000SG Housing
8	1191017	8-3000SG Main Gear
8A	1191028	8A-3000SG Shim
15	1191142	15-3000SG Handle Assembly
19	1191231	19-3000SG Pinion
19A	1191252	19A-3000SG Pinion Bushing (2 req)
20	1192611	20-3000SG Ball Bearing
20A	1192617	20A-3000SG Ball Bearing
20B	1192619	20B-3000SG Ball Bearing
20C	1192616	20A-2000SG Ball Bearing
21	1192631	21-3000SG Bearing Retainer
21A	1192644	21A-3000SG Bearing Retainer Screw (3 req)
21B	1192648	21B-3000SG Collar
22	1192660	22-3000SG Bail Pivot Cover Screw
24	1191293	24-3000SG Bail Wire Assembly
24	1191297	24-4000SG Bail Wire Assembly
27	1191401	27-3000SG Rotor (w/weight & screw)
27	1191406	27-4000SG Rotor (w/weight & screw)
27A	1200519	27A-3000SG Bail Pivot Cover
27A	1191448	27A-4000SG Bail Pivot Cover