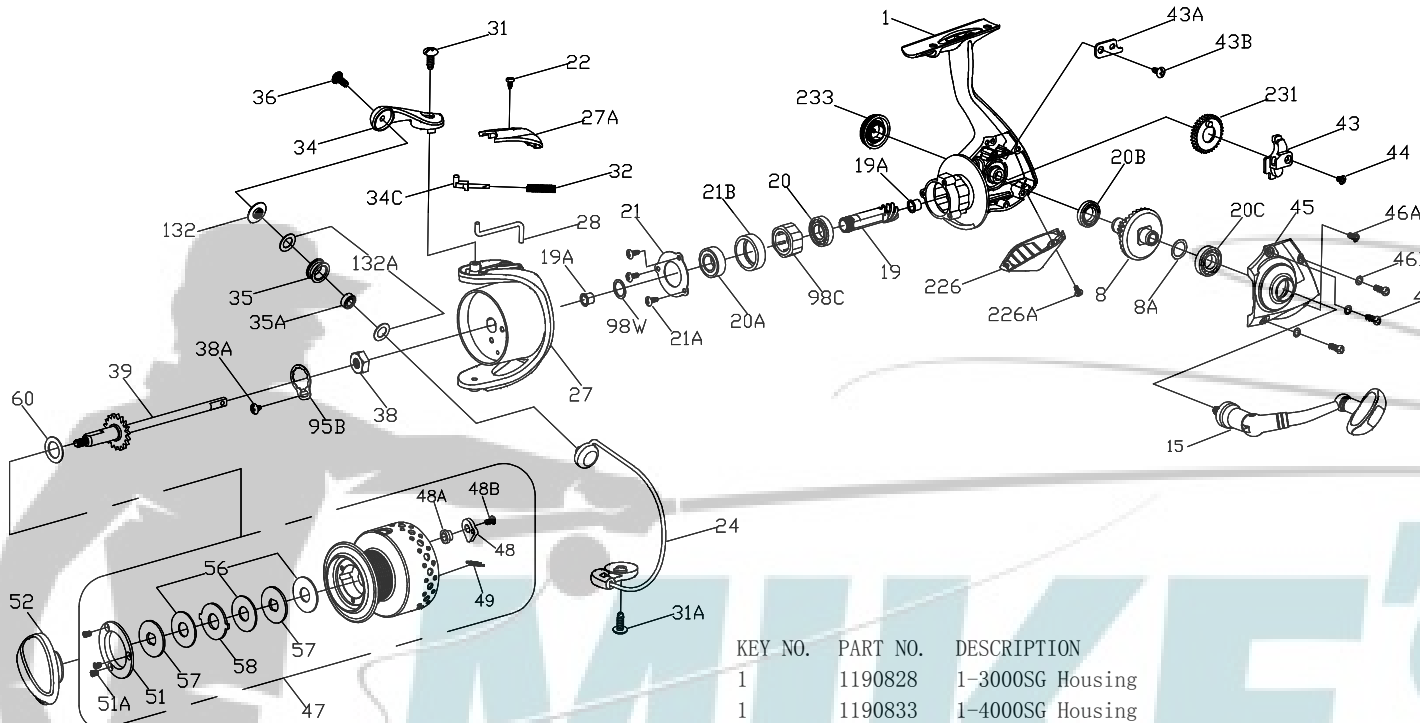




PARTS LIST FOR MODELS SG3000/SG4000
REEL PART NO.1152119/1152120



| KEY NO. | PART NO. | DESCRIPTION |
|---------|----------|---|
| 28 | 1191483 | 28-3000SG Trip Lever |
| 28 | 1191484 | 28-4000SG Trip Lever |
| 31 | 1191567 | 31-3000SG Bail Arm Screw |
| 31A | 1191574 | 31A-3000SG Bail Cam Screw |
| 32 | 1191586 | 32-3000SG Bail Spring |
| 34 | 1191628 | 34-3000SG Bail Arm |
| 34C | 1191650 | 34C-3000SG Pivot Arm |
| 35 | 1191674 | 35-3000SG Line Roller |
| 35A | 1191683 | 35A-3000SG Line Roller Bearing |
| 36 | 1191699 | 36-3000SG Bail Stud Screw |
| 38 | 1191728 | 38-3000SG Rotor Nut |
| 38A | 1191734 | 38A-3000SG Rotor Locking Plate Screw |
| 39 | 1191747 | 39-3000SG Spool Shaft |
| 39 | 1200204 | 39-4000SG Spool Shaft |
| 43 | 1191800 | 43-3000SG Crosswind Block |
| 43 | 1200531 | 43-4000SG Crosswind Block |
| 43A | 1191818 | 43A-3000SG Crosswind Block Plate |
| 43B | 1191826 | 43B-3000SG Crosswind Block Plate Screw |
| 44 | 1191843 | 44-3000SG Crosswind Block Screw |
| 45 | 1191858 | 45-3000SG Housing Cover |
| 45 | 1191863 | 45-4000SG Housing Cover |
| 46 | 1191901 | 46-3000SG Housing Cover Screw (3 req) |
| 46A | 1191906 | 46A-3000SG Housing Cover Screw A |
| 46B | 1191907 | 46B-3000SG Housing Cover Washer (3 req) |
| 47 | 1200206 | 47-3000SG Spool Complete |
| 47 | 1191925 | 47-4000SG Spool Complete |
| 48 | 1211604 | 48-3000SG Click Tongue |
| 48A | 1214226 | 48A-3000SG Click Tongue Washer |
| 48B | 1214189 | 48B-3000SG Spool Click Screw |
| 49 | 1211605 | 49-3000SG Click Tongue Spring |
| 51 | 1191976 | 51-3000SG Retaining Spacer |
| 51A | 1191986 | 51A-3000SG Retaining Screw (3 req) |
| 52 | 1191995 | 52-3000SG Drag Knob |
| 56 | 1192035 | 56-3000SG Drag Washer (3 req) |
| 57 | 1192043 | 57-3000SG Keyed Washer (2 req) |
| 58 | 1192052 | 58-3000SG Earred Washer |
| 60 | 1192060 | 60-3000SG Thrust Washer |
| 95B | 1192185 | 95B-3000SG Rotor Locking Plate |
| 98C | 1192212 | 98C-3000SG Clutch/Sleeve Assembly |
| 98W | 1192229 | 98W-3000SG Clutch Washer |
| 132 | 1192296 | 132-3000SG Roller Washer |
| 132A | 1192302 | 132A-3000SG Line Roller Washer (2 req) |
| 226 | 1192457 | 226-3000SG Rear Cover |
| 226A | 1192473 | 226A-3000SG Rear Cover Screw |
| 231 | 1192498 | 231-3000SG Crosswind Gear |
| 231 | 1200522 | 231-4000SG Crosswind Gear |
| 233 | 1192519 | 233-3000SG Bearing Cover |
| 1 | 1190828 | 1-3000SG Housing |
| 1 | 1190833 | 1-4000SG Housing |
| 8 | 1191017 | 8-3000SG Main Gear |
| 8A | 1191028 | 8A-3000SG Shim |
| 15 | 1191142 | 15-3000SG Handle Assembly |
| 19 | 1191231 | 19-3000SG Pinion |
| 19A | 1191252 | 19A-3000SG Pinion Bushing (2 req) |
| 20 | 1192611 | 20-3000SG Ball Bearing |
| 20A | 1192617 | 20A-3000SG Ball Bearing |
| 20B | 1192619 | 20B-3000SG Ball Bearing |
| 20C | 1192616 | 20A-2000SG Ball Bearing |
| 21 | 1192631 | 21-3000SG Bearing Retainer |
| 21A | 1192644 | 21A-3000SG Bearing Retainer Screw (3 req) |
| 21B | 1192648 | 21B-3000SG Collar |
| 22 | 1192660 | 22-3000SG Bail Pivot Cover Screw |
| 24 | 1191293 | 24-3000SG Bail Wire Assembly |
| 24 | 1191297 | 24-4000SG Bail Wire Assembly |
| 27 | 1191401 | 27-3000SG Rotor (w/weight & screw) |
| 27 | 1191406 | 27-4000SG Rotor (w/weight & screw) |
| 27A | 1200519 | 27A-3000SG Bail Pivot Cover |
| 27A | 1191448 | 27A-4000SG Bail Pivot Cover |