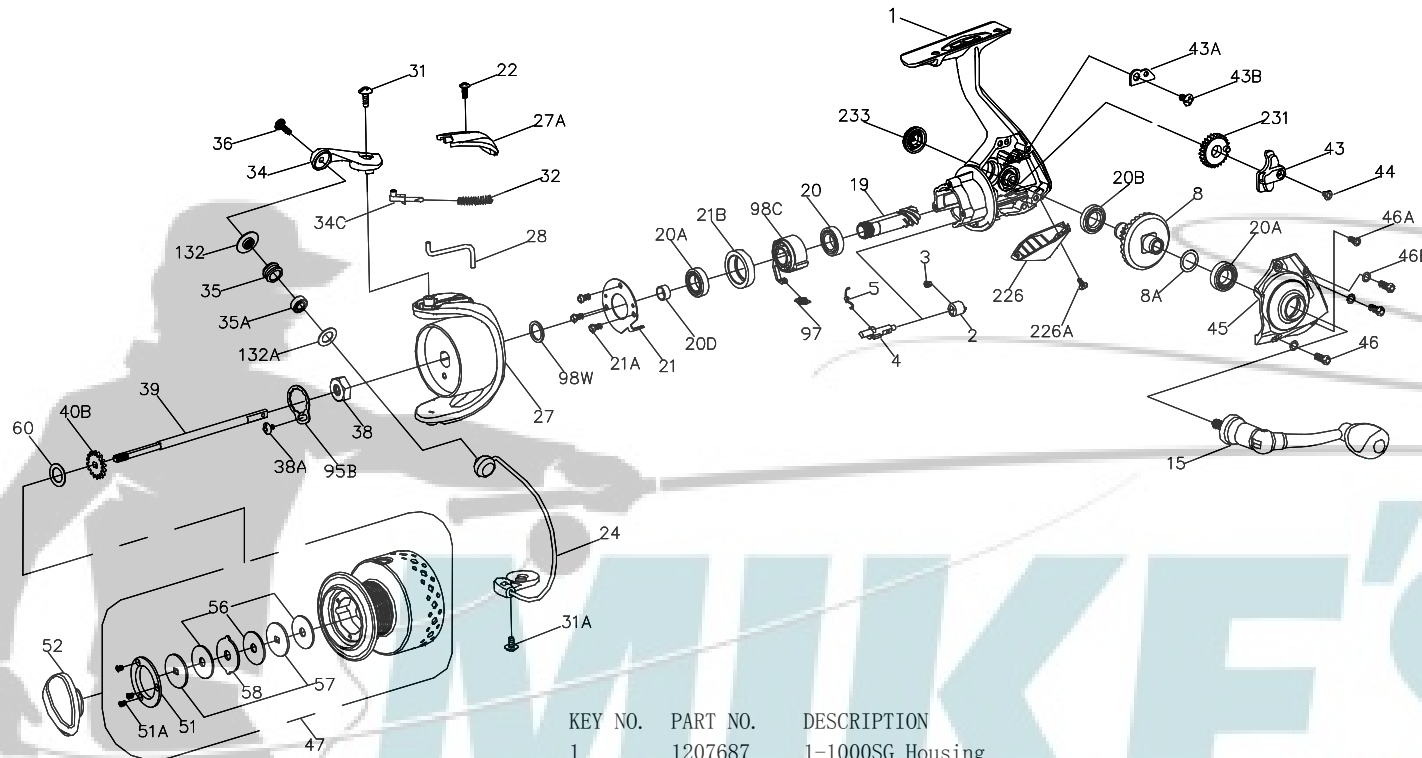




PARTS LIST FOR MODEL SG1000  
REEL PART NO.1203159



KEY NO.	PART NO.	DESCRIPTION
22	1192658	22-2000SG Bail Pivot Cover Screw
24	1207724	24-1000SG Bail Wire Assembly
27	1207725	27-1000SG Rotor
27A	1207726	27A-1000SG Bail Pivot Cover
28	1249038	28-1000SG Trip Lever
31	1191566	31-2000SG Bail Arm Screw
31A	1191574	31A-3000SG Bail Cam Screw
32	1207824	32-1000SG Bail Spring
34	1191625	34-2000SG Bail Arm
34C	1191648	34C-2000SG Pivot Arm
35	1191670	35-2000SG Line Roller
35A	1191682	35A-2000SG Line Roller Bearing
36	1251748	36-1000FRC Bail Stud Screw
38	1207727	38-1000SG Rotor Nut
38A	1191734	38A-3000SG Rotor Locking Plate Screw
39	1207728	39-1000SG Spool Shaft
40B	1191778	40B-2000SG Click Ratchet
43	1207729	43-1000SG Crosswind Block
43A	1207730	43A-1000SG Crosswind Block Plate
43B	1191826	43B-3000SG Crosswind Block Plate Screw
44	1191843	44-3000SG Crosswind Block Screw
45	1207731	45-1000SG Housing Cover
46	1251750	46-1000FRC Housing Cover Screw (3 req)
46A	1191906	46A-3000SG Housing Cover Screw A
46B	1191907	46B-3000SG Housing Cover Washer (3 req)
47	1207732	47-1000SG Spool Complete
51	1191975	51-2000SG Retaining Spacer
51A	1191986	51A-3000SG Retaining Screw (3 req)
52	1207733	52-1000SG Drag Knob
56	1192033	56-2000SG Drag Washer (3 req)
57	1251753	57-1000FRC Keyed Washer (2 req)
58	1192049	58-2000SG Earred Washer
60	1192059	60-2000SG Thrust Washer
95B	1192185	95B-3000SG Rotor Locking Plate
97	1192189	97-2000SG Clutch Spring
98C	1207734	98C-1000SG Clutch/Sleeve Assembly
98W	1251754	98W-1000FRC Clutch Washer
132	1192295	132-2000SG Roller Washer
132A	1192301	132A-2000SG Line Roller Washer
226	1207736	226-1000SG Rear Cover
226A	1192473	226A-3000SG Rear Cover Screw
231	1207737	231-1000SG Crosswind Gear
233	1192519	233-3000SG Bearing Cover

KEY NO.	PART NO.	DESCRIPTION
1	1207687	1-1000SG Housing
2	1190889	2-2000SG A/R Lever
3	1190922	3-2000SG A/R Lever Screw
4	1190935	4-2000SG A/R Shaft
5	1190960	5-2000SG A/R Spring
8	1207688	8-1000SG Main Gear
8A	1191028	8A-3000SG Shim
15	1249049	15-1000BTL Handle Assembly
19	1207720	19-1000SG Pinion
20	1207721	20-1000SG Ball Bearing
20A	1192616	20A-2000SG Ball Bearing (2 req)
20B	1192619	20B-3000SG Ball Bearing
20D	1251742	20D-1000SG Bearing Sleeve
21	1192629	21-2000SG Bearing Retainer
21A	1207723	21A-1000SG Bearing Retainer Screw (3 req)
21B	1192646	21B-2000SG Collar