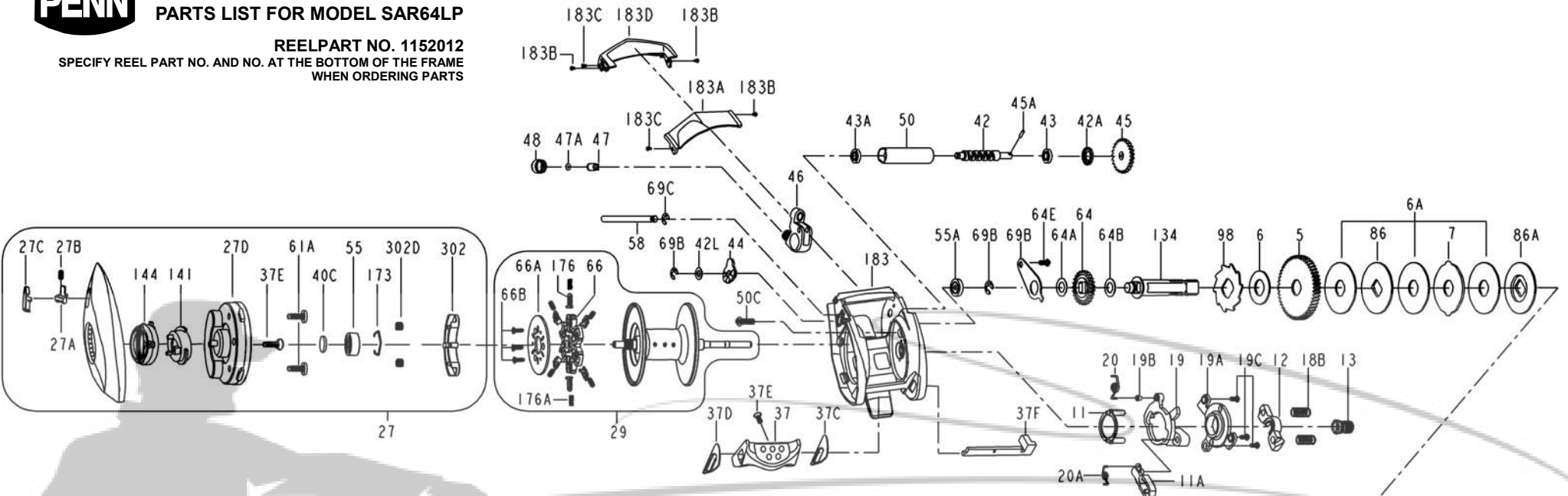




PARTS LIST FOR MODEL SAR64LP

REELPART NO. 1152012

SPECIFY REEL PART NO. AND NO. AT THE BOTTOM OF THE FRAME WHEN ORDERING PARTS



KEY NO.	DESCRIPTION	PART NO.
1	1-SAR R.S. Plate Assembly	1203492
5	5-PUR Main Gear	1125758
6	6-965 Washer, Ratchet	1180931
6A	6-PUR Washer, Drag (3 req)	1125760
7	7-PUR Washer, Metal Ear	1125762
8	8-PUR Washer, Handle	1125783
10	10-PUR Star, Drag	1203164
10A	10A-PUR Holder, Click	1132925
10B	10B-PUR Spring, Click Leaf	1125780
11	11-PUR Holder, Yoke	1125739
11A	11A-PUR Pawl, Return	1132908
12	12-PUR Yoke	1125753
13	13-PUR Pinion Gear	1125808
18	18-965 Washer, Drag Spring (2 req)	1181626
18B	18B-PUR Spring, Clutch (2 req)	1116237
18C	18C-PUR Washer, Spring (2 req)	1117208
19	19-PUR Cam, Clutch	1185751
19A	19A-PUR Plate, Clutch Cam	1125743
19B	19B-PUR Bushing, Clutch Cam	1116230
19C	19C-PUR Spring, Clutch (3 req)	1125744
20	20-PUR Spring, Torsion	1185750
20A	20A-PUR Spring, Return Torsion	1125745
23A	23A-PUR Nut, Handle	1203168
24	24-PUR Handle Assembly	1203239
26	26-PUR Bearing, R.S. Plate	1185715
26B	26B-SAR Cast Control Cap Asm	1185717
26C	26C-PUR Retainer, Bearing	1185716
26D	26D-PUR Washer, Tension	1125771
26R	26R-PUR 'O' Ring	1185714
27	27-SAR L.S. Plate Assembly	1203494
27A	27A-PUR Pin, Locking	1185763
27B	27B-PUR Spring, Push Button	1185765
27C	27C-PUR Button Assembly	1203248
27D	27D-SAR Spool Cover Asm	1185733
29	29-SAR Spool Assembly	1203496

KEY NO.	DESCRIPTION	PART NO.
37	37-SAR Clutch Bar	1185742
37C	37C-PUR Plate, R.S. Clutch Bar	1125801
37D	37D-PUR Plate, L.S. Clutch Bar	1125802
37E	37E-PUR Screw, Flat Head (2 req)	1124746
37F	37F-PUR Link, Clutch Bar	1185689
40	40-PUR Washer, Thrust	1125770
40C	40C-PUR Washer, Metal Thrust	1125797
42	42-PUR Shaft, Worm	1185691
42A	42A-PUR Bushing, R.S. Worm	1132855
42L	42L-PUR Washer, L.S. Worm	1185695
43	43-PUR Bearing, R.S. Worm	1185692
43A	43A-SAR Bearing, L.S. Worm	1204919
44	44-PUR Bushing L.S. Worm	1125734
45	45-PUR Gear, Worm	1185744
45A	45A-PUR Pin, Worm Shaft	1125733
46	46-PUR Carriage Assembly	1125804
47	47-PUR Pawl, Line Guide	1125806
47A	47A-PUR Washer, Pawl	1125736
48	48-PUR Screw, Pawl Cover	1144189

KEY NO.	DESCRIPTION	PART NO.
50	50-PUR Shield, Worm Shaft	1185693
50A	50A-PUR Screw, R.S. Plate	1187621
50B	50B-PUR Screw, R.S. Plate, F	1144207
50C	50C-PUR Screw, R.S. Frame, R	1125778
55	55-PUR Bearing, L.S. Plate	1128194
55A	55A-PUR Bearing, R.S. Frame	1185700
58	58-PUR Post, Line Guide	1204103
61A	61A-PUR Screw, Pan Head (2req)	1125822
64	64-PUR Gear, Worm Drive	1125748
64A	64A-PUR Washer	1125749
64B	64B-PUR Washer (G/Metal)	1125747
64C	64C-PUR Plate, Bearing	1125750
64E	64E-PUR Bearing, R.S. Frame	1125752
66	66-PUR Holder, Brake Shoe	1187887
66A	66A-SAR Plate, Brake Holder	1187901
66B	66B-PUR Screw, Brake (3 req)	1187891
69B	69B-PUR 'E' Ring, Retaining (2req)	1124201
69C	69C-PUR 'E' Ring, Guide Post	1116226

KEY NO.	DESCRIPTION	PART NO.
86	86-PUR Washer, Keyed	1125761
86A	86A-PUR Washer, Metal Keyed Top	1125763
98	98-PUR Ratchet, Anti-Reverse	1125756
98S	98S-PUR Sleeve, Roller Clutch	1185704
110	110-PUR Screw, Handle Lock	1203262
110A	110A-PUR Plate, Handle Locking	1203263
134	134-PUR Gear Stud	1203264
141	141-SAR Cam, Cast Control Slide	1185732
144	144-SAR Cast Control Dial Asm	1203499
154	154-16VS Shim, As Needed 010"	1192350
173	173-PUR Retainer, L.S. Bearing	1104790
176	176-PUR Shoe, Brake (6 Req)	1187888
176A	176A-PUR Spring, Brake Shoe (6 Req)	1187892
183	183-SAR Frame	1203273
183A	183A-SAR Thumb Rest	1203500
183B	183B-PUR Screw, RS Thumb (3 Req)	1185747
183C	183C-PUR Screw, LS Thumb (2 Req)	1125738
183D	183D-SAR Cover, Front Frame	1203501
302	302-SAR Magnet Assembly	1185738
302D	302D-SAR Spring, Mag Asm (2 Req)	1185737