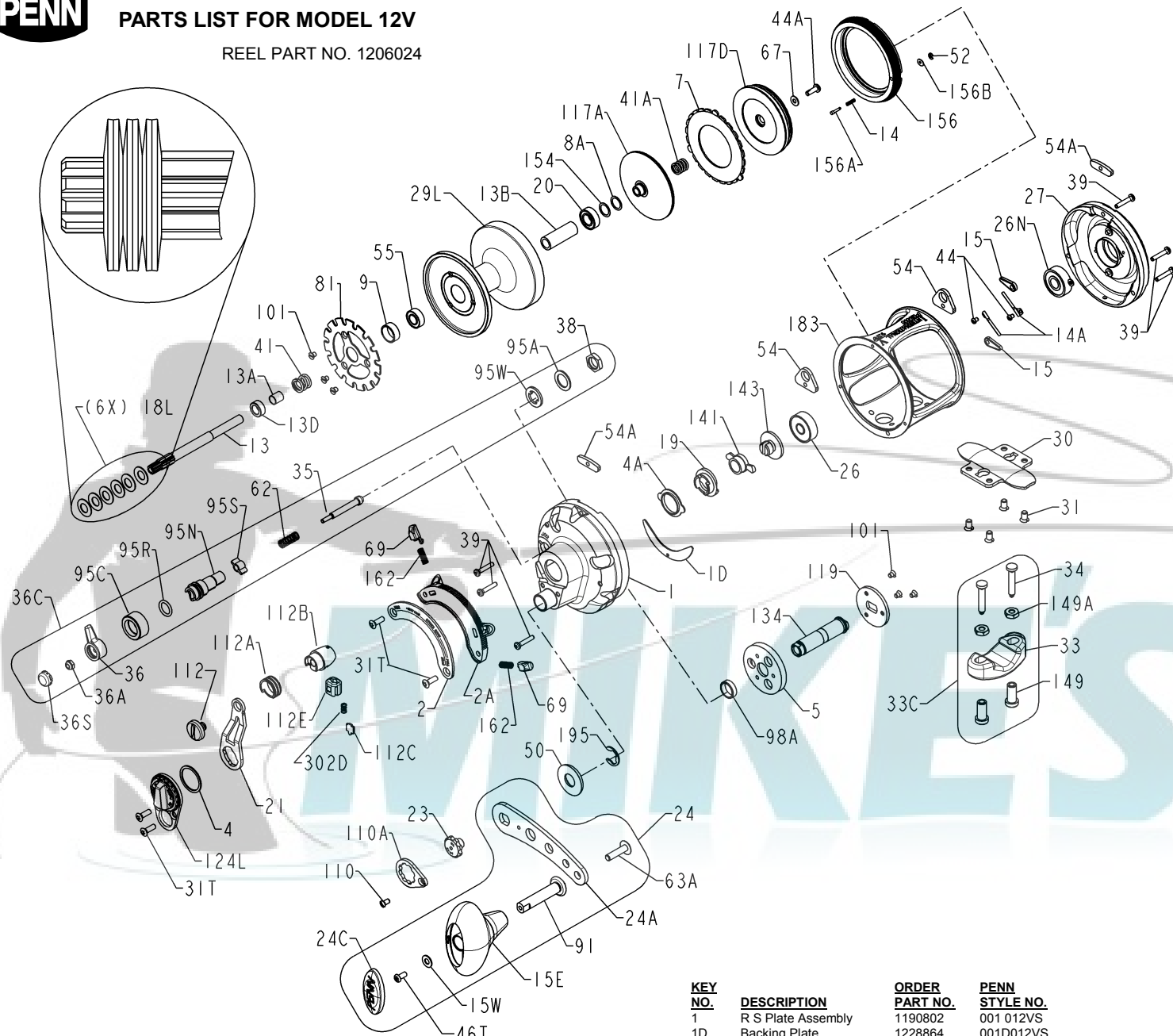




PARTS LIST FOR MODEL 12V

REEL PART NO. 1206024



KEY NO.	DESCRIPTION	ORDER PART NO.	PENN STYLE NO.
14	Drag Cover Lock Spring	1181393	014 099
14A	Dog Spring (2 req)	1191129	014 100LD
15	Dog (2 req)	1192597	015 100LD
15E	Handle Knob	1229393	015ETS7
15W	Handle Washer	1229399	015WTS7
18L	Spring Washer (6 req)	1191216	018L300LD
19	Eccentric Cam	1191220	019 016VS
20	Ball Bearing	1233759	020L722
21	Drag Lever	1191265	021 012VS
23	Handle Screw	1181945	023 114
24	Handle Assembly	1229465	024 012V
24A	Handle Blank	1229466	024 012V-1
24C	Handle Knob Cap	1191337	024C320LD
26	Ball Bearing	1182112	026 040
26N	Ball Bearing	1182146	026N040
27	Left Side Plate Assembly	1191373	027 012VS
29L	Spool Assembly	1191528	029L012VS
30	Stand	1182599	030 016VS
31	8-32 Flat Head Scr (4 req)	1191562	031 016VS
31T	6-40 T15 Oval Hd (4 req)	1182700	031T070
33	Rod Clamp	1182754	033 113
33C	Rod Clamp Kit	1229928	033C012VS
34	Clamp Screw (2 req)	1182786	034 016VS
35	Click Tongue	1182905	035 080ST
36	Click Lever	1182981	036 080ST
36A	5-40 Nut	1183014	036 700
36C	Clicker Assembly	1237165	036C012VS
36S	Click Button Cap	1183051	036S080ST
38	Click Bushing Nut	1183157	038 710
39	4-40 T10 Pan Hd (6 req)	1229974	039 012VS
41	Drag Spring	1242832	041 012VS
41A	Drag Spring	1183329	041 109
44	3-48 Sit Pan Hd Ss (2 req.)	1183444	044 300T
44A	5-40 Sit Pan Hd	1183459	044 710
46T	6-40 Pan Hd Screw	1191914	046TT57
50	Gear Stud Shield	1191964	050 030VS
52	Retaining Ring	1191987	052 016VS
54	Harness Lug (2 inside 33C kit)	1230156	054 012VS
54A	Harness Lug Plug (2 req)	1230160	054A012VS
55	Ball Bearing	1237278	055L4200
62	Click Spring	1184023	062 080ST
63A	10-32 Truss Hd Screw	1233968	063A012VS
67	Pinion Retaining Washer	1192093	067 016VS
69	Drag Locating Pin (2 req)	1192105	069 012VS
81	Click Ratchet	1192151	081 012VS
91	Handle Rivet	1230342	091 012VS
95A	Serrated Click Washer	1184310	095A020
95C	Click Adjustment Ring	1184313	095C080ST
95N	Click Tongue Bushing	1184314	095N080ST
95R	Click Adj. O-Ring	1184315	095R080ST
95S	Click Spring Slider	1184316	095S080ST
95W	Keyed Washer	1184317	095W080ST
98A	Gear Stud Spacer	1230413	098A012V
101	5-40 Flat Hd Scr (6 req)	1184404	101 050S
110	5-40 Oval Head Screw	1184436	110 050
110A	Handle Lock Plate	1184441	110A050
112	Drag Knob Screw	1192243	112 100LD
112A	Drag Knob Sleeve	1192246	112A100LD
112B	Drag Lever Knob	1192248	112B100LD
112C	Drag Click Plate	1192712	112C030VS
112E	Drag Click Plate Housing	1192251	112E100LD
117A	Inner Drive Plate Asm	1192256	117A012VS
117D	Outer Drive Plate Asm	1192261	117D012VS
119	Gear Retaining Plate	1230529	119 012V
124L	Bridge Cover Assembly	1230551	124L012VS
134	Gear Stud	1230588	134 012V
141	Cam Follower	1184652	141 030VS
143	Preset Screw	1184670	143 016VS
149	Rod Clamp Nut (2 req)	1184702	149 045
149A	Stand Screw Nut (2 req)	1184706	149 200
154	Shim (as required)	1192350	154 016VS
156	Drag Cover Assembly	1192351	156 012VS
156A	Drag Cover Lock Pin	1192356	156A016VS
156B	Drag Cover Lock Plate	1230626	156B012VS
162	Drag Pin Spring (2 req)	1184795	162 050
183	Frame Asm	1226450	183 012V
195	Retaining Ring	1184955	195 040
302D	Drag Click Plate Spring	1185255	302D525MAG

KEY NO.	DESCRIPTION	ORDER PART NO.	PENN STYLE NO.
1	R S Plate Assembly	1190802	001 012VS
1D	Backing Plate	1228864	001D012VS
2	Quadrant Ring	1190881	002 012VS
2A	Quadrant Ratchet	1228900	002A012VS
4	Teflon Thrust Washer	1180748	004 012LT
4A	Cam Bushing	1180752	004 030VS
5	Main Gear	1228984	005 012V
7	Drag Washer	1191001	007 012VS
8A	Shim (as required)	1229046	008ATS5-4
9	Spacing Sleeve	1229052	009 012VS
13	Pinion Gear	1229320	013 012V
13A	Pinion Shaft Sleeve	1229358	013B012V
13B	Pinion Shaft Sleeve	1191122	013B012VS
13D	Pinion Spacer	1229361	013D012V