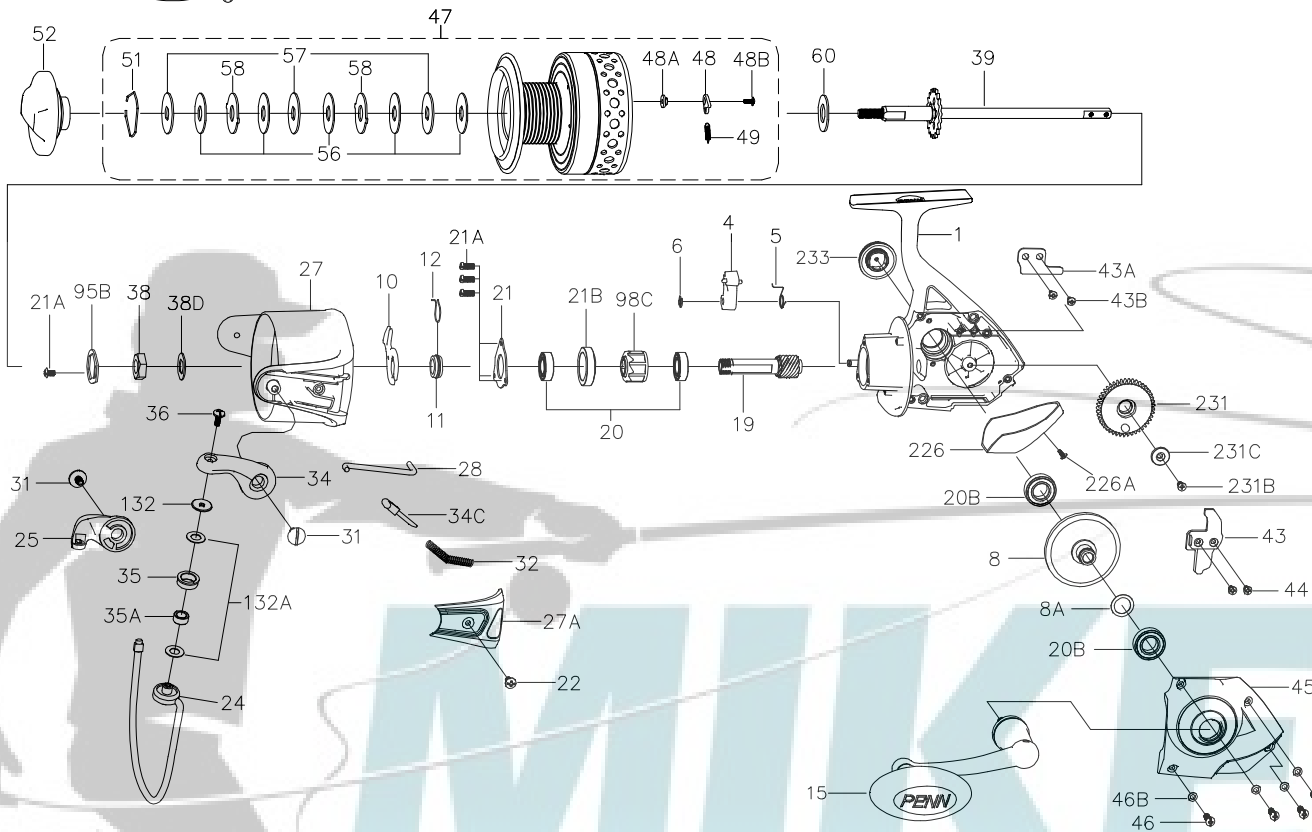




PARTS LIST FOR MODEL FRCII8000



KEY NO.	PART NO.	DESCRIPTION
1	1365752	1-FRCII8000 Housing Assembly
4	1190939	4-7000SG A/R Dog
5	1190966	5-5000SG Dog Spring
6	1190979	6-5000SG Retaining Clip
8	1313863	8-CFT8000 Main Gear
8A	1191031	8A-7000SG Shim
10	1313864	10-CFT8000 A/R Holder
11	1191087	11-7000SG Bushing
12	1313865	12-CFT8000 A/R Bushing Spring
15	1365753	15-FRCII8000 Handle Assembly
19	1313868	19-CFT8000 Pinion Gear
20	1204012	20-5000PUR Ball Bearing (2 req)
20B	1204068	20B-7000PUR Ball Bearing (2 req)
21	1192636	21-5000SG Bearing Retainer
22	1204018	22-6000PUR Bail Pivot Cover Screw
24	1365754	24-FRCII8000 Bail Wire
25	1313870	25-CFT8000 Bail Holder
27	1365755	27-FRCII8000 Rotor
27A	1365756	27A-FRCII8000 Bail Pivot Cover
28	1365757	28-FRCII8000 Trip Lever
31	1365758	31-FRCII8000 Bail Arm Screw (2 req)
32	1313874	32-CFT8000 Bail Spring
34	1313875	34-CFT8000 Bail Arm
34C	1191656	34C-7000SG Pivot Arm
35	1313876	35-CFT8000 Line Roller
35A	1313877	35A-CFT8000 Line Roller Bushing
36	1191704	36-7000SG Bail Stud Screw
38	1191731	38-7000SG Rotor Nut
38D	1308104	38D-CFT5000 Rotor Nut Washer
39	1338168	39-SGLI8000 Main Shaft Assembly
43	1313879	43-CFT8000 Crosswind Block
43A	1191821	43A-7000SG Crosswind Block Plate
43B	1191826	43B-3000SG Crosswind Block Plate Screw (2 req)
44	1191845	44-5000SG Crosswind Block Screw (2 req)
45	1365759	45-FRCII8000 Housing Cover Assembly
46	1191903	46-5000SG Housing Cover Screw (4 req)
46B	1191908	46B-5000SG Housing Cover Washer (4 req)
47	1365760	47-FRCII8000 Spool Assembly
48	1211625	48-5000SG Click Tongue
48A	1211626	48A-5000SG Click Tongue Washer
48B	1211612	48B-5000SG Spool Click Screw
49	1211627	49-5000SG Click Tongue Spring
51	1308112	51-CFT5000 Drag Retaining Ring
52	1365761	52-FRCII8000 Drag Knob Assembly
56	1192038	56-7000SG Drag Washer (5 req)
57	1211646	57-7000BTL Keyed Washer (3 req)
58	1192055	58-7000SG Eared Washer (2 req)
60	1211629	60-5000BTL Thrust Washer
95B	1308115	95B-CFT5000 Rotor Locking Plate
98C	1313884	98C-CFT8000 Clutch/Sleeve Assembly
132	1192298	132-7000SG Roller Washer
132A	1192302	132A-3000SG Line Roller Washer (2 req)
226	1313885	226-CFT8000 Rear Cover
226A	1192473	226A-3000SG Rear Cover Screw
231	1313886	231-CFT8000 Crosswind Gear
231B	1313887	231B-CFT8000 Screw Crosswind Gear
231C	1313888	231C-CFT8000 Screw Crosswind Sleeve
233	1214209	233-5000FRC Bearing Cover Assembly

407-FRCII8000 Rev. 0 8-19-2014

1364044