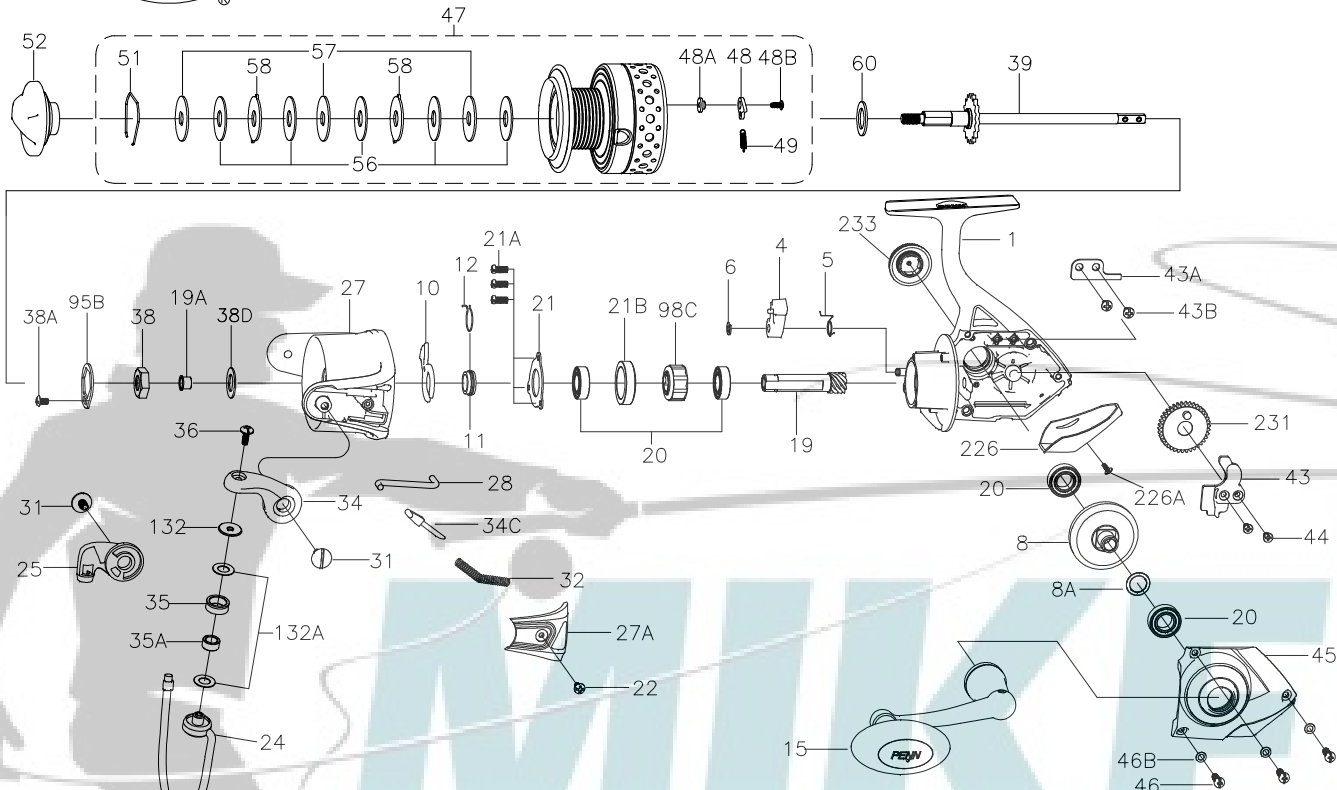




PARTS LIST FOR MODEL FRCII5000



| KEY NO. | PART NO. | DESCRIPTION |
|---------|----------|--|
| 21A | 1192645 | 21A-5000SG Bearing Retainer Screw (3 req) |
| 21B | 1324209 | 21B-BTLII5000 Collar |
| 22 | 1204018 | 22-6000PUR Bail Pivot Cover Screw |
| 24 | 1365736 | 24-FRCII5000 Bail Wire |
| 25 | 1308093 | 25-CFT5000 Bail Holder |
| 27 | 1365737 | 27-FRCII5000 Rotor |
| 27A | 1365738 | 27A-FRCII5000 Bail Pivot Cover |
| 28 | 1365739 | 28-FRCII5000 Trip Lever |
| 31 | 1365740 | 31-FRCII5000 Bail Arm Screw (2 req) |
| 32 | 1308101 | 32-CFT5000 Bail Spring |
| 34 | 1308102 | 34-CFT5000 Bail Arm |
| 34C | 1191652 | 34C-5000SG Pivot Arm |
| 35 | 1308066 | 35-CFT3000 Line Roller |
| 35A | 1308067 | 35A-CFT3000 Line Roller Bushing |
| 36 | 1191699 | 36-3000SG Bail Stud Screw |
| 38 | 1191729 | 38-5000SG Rotor Nut |
| 38A | 1365741 | 38A-FRCII5000 Screw |
| 38D | 1308104 | 38D-CFT5000 Rotor Nut Washer |
| 39 | 1308105 | 39-CFT5000 Main Shaft Assembly |
| 43 | 1308107 | 43-CFT5000 Crosswind Block |
| 43A | 1191820 | 43A-5000SG Crosswind Block Plate |
| 43B | 1191827 | 43B-5000SG Crosswind Block Plate Screw (2 req) |
| 44 | 1191845 | 44-5000SG Crosswind Block Screw (2 req) |
| 45 | 1365742 | 45-FRCII5000 Housing Cover Assembly |
| 46 | 1191903 | 46-5000SG Housing Cover Screw (3 req) |
| 46B | 1191908 | 46B-5000SG Housing Cover Washer (3 req) |
| 47 | 1365743 | 47-FRCII5000 Spool Assembly |
| 48 | 1211625 | 48-5000SG Click Tongue |
| 48A | 1211626 | 48A-5000SG Click Tongue Washer |
| 48B | 1211612 | 48B-5000SG Spool Click Screw |
| 49 | 1211627 | 49-5000SG Click Tongue Spring |
| 51 | 1308112 | 51-CFT5000 Drag Retaining Ring |
| 52 | 1365744 | 52-FRCII6000 Drag Knob Assembly |
| 56 | 1192036 | 56-5000SG Drag Washer (5 req) |
| 57 | 1192044 | 57-5000SG Keyed Washer (3 req) |
| 58 | 1192053 | 58-5000SG Eared Washer (2 req) |
| 60 | 1211629 | 60-5000BTL Thrust Washer |
| 95B | 1308115 | 95B-CFT5000 Rotor Locking Plate |
| 98C | 1308116 | 98C-CFT5000 Clutch/Sleeve Assembly |
| 132 | 1192297 | 132-5000SG Roller Washer |
| 132A | 1192302 | 132A-3000SG Line Roller Washer (2 req) |
| 226 | 1308117 | 226-CFT5000 Rear Cover |
| 226A | 1192473 | 226A-3000SG Rear Cover Screw |
| 231 | 1192503 | 231-5000SG Crosswind Gear |
| 233 | 1214209 | 233-5000FRC Bearing Cover Assembly |

| KEY NO. | PART NO. | DESCRIPTION |
|---------|----------|---------------------------------|
| 1 | 1365734 | 1-FRCII5000 Housing Assembly |
| 4 | 1190937 | 4-5000SG Dog |
| 5 | 1190966 | 5-5000SG Dog Spring |
| 6 | 1190979 | 6-5000SG Retaining Clip |
| 8 | 1191019 | 8-5000SG Main Gear |
| 8A | 1191030 | 8A-5000SG Shim |
| 10 | 1191066 | 10-5000SG A/R Holder |
| 11 | 1191085 | 11-5000SG Bushing |
| 12 | 1313865 | 12-CFT8000 A/R Bushing Spring |
| 15 | 1365735 | 15-FRCII5000 Handle Assembly |
| 19 | 1364030 | 19-BTLII5000 Pinion Gear |
| 19A | 1191253 | 19A-5000SG Pinion Bushing |
| 20 | 1204012 | 20-5000PUR Ball Bearing (4 req) |
| 21 | 1192636 | 21-5000SG Bearing Retainer |

407-FRCII5000 Rev. 0 8-19-2014

1364040